

GETRIEBEBAU NORD

Member of the NORD DRIVESYSTEMS Group

Getriebebau NORD GmbH & Co. KG

Getriebebau-Nord-Straße 1 • 22941 Bargteheide, Germany • www.nord.com



SK TIE4-RJ12-RJ12

Part number: 275 274 601

Connection cable connection extension

Scope of delivery

| | | |
|-----|------------------|-------------------|
| 1 x | Connection cable | SK TIE4-RJ12-RJ12 |
|-----|------------------|-------------------|



Field of use

This connection extension is used to connect a parameterisation unit to drive electronics devices from Getriebebau NORD GmbH & Co. KG. The connection cable is equipped with RJ12 plugs (6/6) on both ends.

Use

The connection cable connects the parameterisation unit with the communication interface of the device. The RJ12 plug without latching tab (see cable end with label) is connected to the diagnostic interface of the drive electronics and the other RJ12 plug (with latching tab) to the RJ12 socket of the parameterisation unit. This connection extension can be used for all NORD drive electronics.

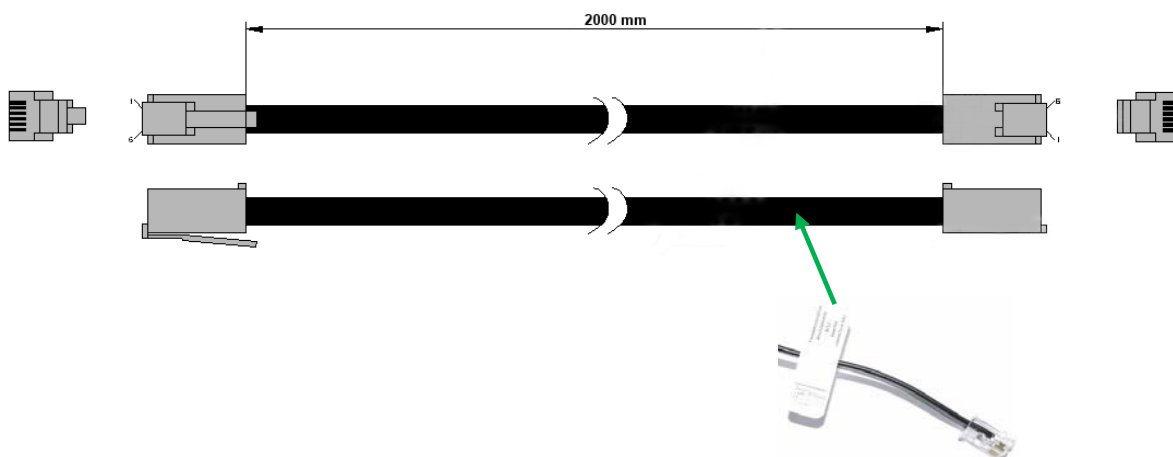
Technical data

| | |
|-----------------------|--------------------------|
| Temperature range | -5 ... 50 °C |
| Protection class | IP20 |
| Weight | 46 g |
| Cable sheath material | Polyvinyl chloride (PVC) |







| | |
|---------------------|----------------|
| Cable sheath colour | Black |
| Plug colour | Transparent |
| Plug | 2x RJ12 (6P6C) |
| Cable length | 2 m |

| | | | | |
|--|--|--------------------------|------|----|
| Technical Information / Datasheet | | SK TIE4-RJ12-RJ12 | | |
| Adapter cables | | V1.0 | 4823 | en |

Connections

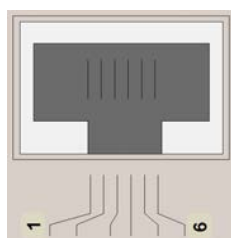


The connection extension is looped in between parameterisation unit (1) and the device (2).

| ParameterBox | Connection cable | Frequency inverter |
|--|--|---|
| SK PAR-3H  SK PAR-3E  | SK TIE4-RJ12-RJ12  | NORDAC PRO SK 500P NORDAC PRO SK 500E NORDAC LINK SK 250E-FDS NORDAC LINK SK 155E-FDS NORDAC ON SK 300P NORDAC FLEX SK 200E NORDAC BASE SK 180E |
| SimpleControlBox SK CSX-3H  SK CSX-3E  | | BUS connection unit SK TI4-TU-BUS  |
| 1 Parameterisation units (RS 485 interface) | Connection extension (enclosed with parameterisation unit) | 2 Communication interface (RS 485 interface) |

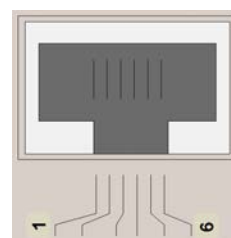
(1) RJ12 – RS485 details

| RJ12 pin | Signal | Description |
|----------|--------|-------------|
| 1 | A (+) | RS485_A |
| 2 | B (-) | RS485_B |
| 3 | GND | Ground |
| 4 | n.c. | |
| 5 | n.c. | |
| 6 | +24 V- | 24 V ± 20% |



(2) RJ12 – RS485 details

| RJ12 pin | Signal | Description |
|----------|--------|-------------|
| 1 | A (+) | RS485_A |
| 2 | B (-) | RS485_B |
| 3 | GND | Ground |
| 4 | n.c. | |
| 5 | n.c. | |
| 6 | +24 V- | 24 V ± 20% |



Information

Connection to the NORDAC START SK 135E

The NORDAC START has only one RS232 interface. The optional SK TIE4-RS232-RS485 interface converter connection extension is required for the connection.

For detailed information, refer to the Technical Information  [TI 275274603](#).

The connection cable is 6-pole and is also used for connection to RS232 interfaces.

RJ12 – RS232 details

| RJ12 pin | Signal | Description |
|----------|--------|-------------------|
| 1 | A (+) | RS485_A |
| 2 | B (-) | RS485_B |
| 3 | GND | Ground |
| 4 | TXD | Transmission data |
| 5 | RXD | Receive data |
| 6 | +24 V- | 24 V ± 20% |

