

EN

Geared motors with IE5+ energy efficiency G5000



Contents

INTRODUCTION A 1

NORDBLOC.1® HELICAL IN-LINE GEAR UNITS B 2 - 49

HELICAL GEAR UNITS C 2 - 26

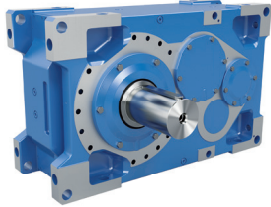
PARALLEL SHAFT GEAR UNITS D 2 - 51

BEVEL GEAR UNITS E 2 - 48

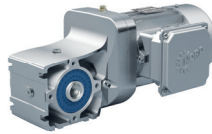
WORM GEAR UNITS F 2 - 33

NORD DRIVESYSTEMS Group

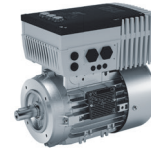
NEW



Industrial gear units



Geared motors



Frequency inverters and motor starters



- ▶ Headquarters and technology centre in Bargteheide, near Hamburg
- ▶ Innovative drive solutions for more than 100 branches of industry
- ▶ 7 production locations with cutting-edge technology produce gear units, motors and drive electronics for complete drive systems from a single source
- ▶ NORD has 48 subsidiaries in 36 countries and further sales partners in more than 50 countries. They provide local stocks, assembly centres, technical support and customer service
- ▶ More than 4,700 employees throughout the world create customised solutions



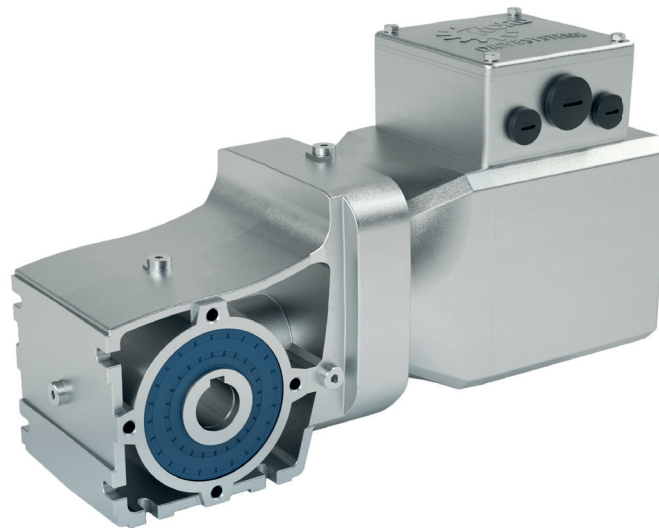
NEW



The new IE5+ motor generation expands the current synchronous motor series for lower power ranges. The energy-efficient latest generation permanent magnet synchronous motor has considerably lower losses than the current IE4 series.

The motor achieves its high efficiency that, at times, is significantly above efficiency class IE5 via a wide torque range – and is optimally suitable for operation in the partial load range. The compact IE5+ motor offers a high power density with less installation space:

- ▶ Lower operating costs – thanks to high efficiency synchronous motors with permanent magnet technology
- ▶ Simple and highly flexible combination – through full compatibility with the NORD modular system
- ▶ Simplified control of applications – thanks to almost constant motor speed



Find further information in the catalogues:

[G1000 geared motors](#)

[M7000 asynchronous motors](#)



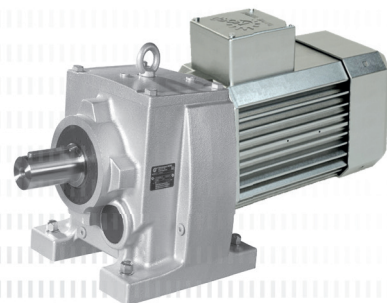
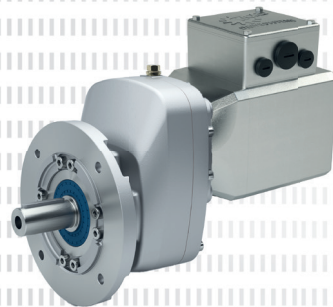
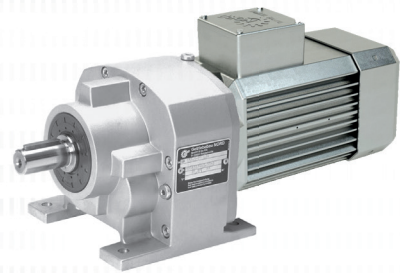
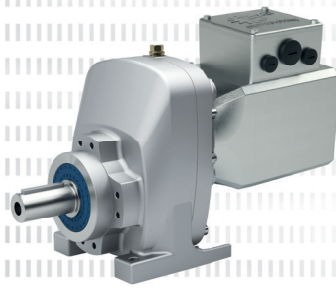
NORDBLOC.1[®] Helical in-line gear units

Geared motor data

B 2 - 45

Dimensioned drawings

B 46 - 49




0.35 kW / 0.46 hp
0.70 kW / 0.95 hp
1.05 kW / 1.40 hp


TENV



NORDBLOC.1®
Helical in-line gear units

P ₁		n ₁	n ₂	M ₂		f _B	i _{tot}	F _R /F _A				F _{RVL} /F _{AVL}				Model type	 [kg] [lb]		
								F _R	F _A	F _{RVL}	F _{AVL}	F _R	F _A	F _{RVL}	F _{AVL}				
[kW]	[hp]	[rpm]	[rpm]	[Nm]	[lb-in]			[kN]	[lb]	[kN]	[lb]	[kN]	[lb]	[kN]	[lb]				
0.35	0.46	2100	160	20.8	181	3.4	13.1	5.6	1260	9.0	2020	7.5	1690	12.0	2700	SK 771.1 - 71 N1/8	16.7	36.9	
		2100	204	16.4	142	5.9	10.3	5.2	1160	9.0	2020	7.5	1690	12.0	2700	SK 771.1 - 71 N1/8			
	2100	221	15.1	131	3.4	9.5	4.6	1030	7.7	1720	5.0	1120	8.0	1800	SK 571.1 - 71 N1/8	12.4	27.4		
	2100	284	11.8	102	6.1	7.4	4.2	950	7.7	1720	5.0	1120	8.0	1800	SK 571.1 - 71 N1/8				
	2100	259	12.9	112	2.4	8.11	3.4	770	3.9	880	4.0	900	7.0	1570	SK 371.1 - 71 N1/8	9.4	20.6		
	2100	292	11.5	99.4	3.1	7.2	3.3	750	3.9	880	4.0	900	7.0	1570	SK 371.1 - 71 N1/8				
	2100	382	8.8	75.9	5.7	5.5	3.0	680	3.9	880	4.0	900	7.0	1570	SK 371.1 - 71 N1/8				
	2100	339	9.9	85.6	2.6	6.2	2.2	490	3.3	740	3.0	670	4.5	1010	SK 171.1 - 71 N1/8	8.0	17.7		
	2100	438	7.6	66.3	2.2	4.8	1.2	280	2.5	560	2.0	440	3.5	790	SK 071.1 - 71 N1/8	7.2	15.8		
	2100	924	3.6	31.4	5.8	2.27	1.0	220	2.0	440	2.0	440	3.4	760	SK 071.1 - 71 N1/8				
	0.70	0.95	2100	160	41.7	374	1.7	13.1	5.5	1240	9.0	2020	7.5	1690	12.0	2700	SK 771.1 - 71 N2/8	17.8	39.3
			2100	204	32.8	294	2.9	10.3	5.1	1150	9.0	2020	7.5	1690	12.0	2700	SK 771.1 - 71 N2/8		
2100			247	27.1	242	4.6	8.5	4.8	1080	9.0	2020	7.5	1690	12.0	2700	SK 771.1 - 71 N2/8			
2100		221	30.2	271	1.7	9.5	4.5	1010	7.7	1720	5.0	1120	8.0	1800	SK 571.1 - 71 N2/8	13.5	29.9		
2100		284	23.6	211	3.1	7.4	4.1	930	7.7	1720	5.0	1120	8.0	1800	SK 571.1 - 71 N2/8				
2100		350	19.1	171	4.7	6.0	3.9	870	7.7	1720	5.0	1120	8.0	1800	SK 571.1 - 71 N2/8				
2100		259	25.8	231	1.2	8.11	3.4	750	3.9	880	4.0	900	7.0	1570	SK 371.1 - 71 N2/8	10.5	23.1		
2100		292	22.9	205	1.5	7.2	3.2	730	3.9	880	4.0	900	7.0	1570	SK 371.1 - 71 N2/8				
2100		382	17.5	157	2.9	5.5	3.0	670	3.9	880	4.0	900	7.0	1570	SK 371.1 - 71 N2/8				
2100		477	14.0	125	4.5	4.4	2.8	620	3.9	880	4.0	900	7.0	1570	SK 371.1 - 71 N2/8				
2100		339	19.7	177	1.3	6.2	2.1	470	3.3	740	3.0	670	4.5	1010	SK 171.1 - 71 N2/8	9.1	20.2		
2100		690	9.7	86.8	3.7	3.05	1.7	380	3.0	660	3.0	670	4.5	1010	SK 171.1 - 71 N2/8				
2100		775	8.6	77.2	5.2	2.71	1.6	370	2.8	630	3.0	670	4.5	1010	SK 171.1 - 71 N2/8				
2100		438	15.3	137	1.1	4.8	1.2	260	2.4	530	2.0	430	3.5	790	SK 071.1 - 71 N2/8	8.2	18.2		
2100		924	7.2	64.8	2.9	2.27	0.9	210	1.8	400	2.0	440	3.2	730	SK 071.1 - 71 N2/8				
2100		1050	6.4	57	3.9	2.0	0.9	210	1.7	380	2.0	440	3.1	700	SK 071.1 - 71 N2/8				
2100		1761	3.8	34	6.6	1.19	0.8	180	1.4	310	2.0	440	2.7	610	SK 071.1 - 71 N2/8				
2100		1955	3.4	30.6	7.0	1.07	0.8	170	1.3	290	2.0	440	2.6	590	SK 071.1 - 71 N2/8				
1.05		1.40	2100	160	62.5	550	1.1	13.1	5.4	1220	9.0	2020	7.5	1690	12.0	2700	SK 771.1 - 71 N3/8	18.8	41.5
			2100	204	49.2	433	2.0	10.3	5.0	1130	9.0	2020	7.5	1690	12.0	2700	SK 771.1 - 71 N3/8		
			2100	247	40.6	357	3.1	8.5	4.8	1070	9.0	2010	7.5	1690	12.0	2700	SK 771.1 - 71 N3/8		
		2100	388	25.8	227	6.4	5.41	4.1	930	7.8	1750	7.5	1690	12.0	2700	SK 771.1 - 71 N3/8			
		2100	221	45.4	399	1.1	9.5	4.4	990	7.7	1720	5.0	1120	8.0	1800	SK 571.1 - 71 N3/8	14.5	32.1	
		2100	284	35.3	311	2.0	7.4	4.1	910	7.7	1720	5.0	1120	8.0	1800	SK 571.1 - 71 N3/8			
	2100	350	28.6	252	3.1	6.0	3.8	860	7.6	1720	5.0	1120	8.0	1800	SK 571.1 - 71 N3/8				




P_1		n_1	n_2	M_2		f_B	i_{tot}	F_R / F_A				F_{RVL} / F_{AVL}				Model type	 [kg] [lb]			
								F_R	F_A	F_{RVL}	F_{AVL}	F_R	F_A	F_{RVL}	F_{AVL}					
[kW]	[hp]	[rpm]	[rpm]	[Nm]	[lb-in]			[kN]	[lb]	[kN]	[lb]	[kN]	[lb]	[kN]	[lb]					
1.05	1.40	2100	259	38.7	341	0.8	8.11	3.3	740	3.9	880	4.0	900	7.0	1570	SK 371.1 - 71 N3/8	11.5	25.3		
		2100	292	34.4	303	1.0	7.20	3.2	710	3.9	880	4.0	900	7.0	1570					
		2100	382	26.3	231	1.9	5.50	2.9	660	3.9	880	4.0	900	7.0	1570					
		2100	477	21.0	185	3.0	4.40	2.7	610	3.9	880	4.0	900	7.0	1570					
		2100	677	14.8	130	5.3	3.10	2.5	550	3.5	800	4.0	900	6.4	1450					
		2100	770	13.0	115	6.4	2.73	2.4	530	3.3	750	4.0	900	6.2	1400					
	2100	339	29.6	261	0.9	6.20	2.0	460	3.3	740	3.0	670	4.5	1010	SK 171.1 - 71 N3/8	10.1	22.4			
			2100	690	14.5	128	2.5	3.05	1.6	370	2.7	600	3.0	670				4.5	1010	
			2100	775	12.9	114	3.5	2.71	1.6	360	2.6	580	3.0	670				4.5	1000	
			2100	1008	9.9	87.5	5.3	2.08	1.5	330	2.4	530	3.0	670				4.2	950	
			2100	1072	9.4	82.3	5.3	1.96	1.4	320	2.2	510	3.0	670				4.1	920	
			2100	1820	5.5	48.5	6.9	1.15	1.2	280	1.8	410	3.0	670				3.5	790	
		2100	1955	5.1	45.1	7.0	1.07	1.2	270	1.8	400	3.0	670	3.5	780	SK 171.1 - 71 N3/8	9.2	20.4		
				2100	924	10.9	95.5	1.9	2.27	0.9	200	1.6	370	2.0	440				3.1	700
				2100	1050	9.5	84.0	2.6	2.00	0.9	200	1.6	350	2.0	440				3.0	670
				2100	1761	5.7	50.1	4.4	1.19	0.8	170	1.3	290	2.0	440				2.6	590
				2100	1955	5.1	45.1	4.7	1.07	0.7	160	1.2	270	2.0	440				2.5	570
				2100	1955	5.1	45.1	4.7	1.07	0.7	160	1.2	270	2.0	440				2.5	570
1.10	1.50	2100	247	42.5	383	2.9	8.50	4.7	1070	8.9	2010	7.5	1690	12.0	2700	SK 771.1 - 90 N1/8	21.8	48.1		
		2100	273	38.5	346	3.8	7.69	4.6	1030	8.7	1950	7.5	1690	12.0	2700					
	2100	350	30.0	270	3.0	6.00	3.8	860	7.6	1710	5.0	1120	8.0	1800	SK 571.1 - 90 N1/8	17.5	38.7			
			2100	385	27.3	246	3.7	5.46	3.7	830	7.4	1660	5.0	1120				8.0	1800	
	2100	477	22.0	198	2.9	4.40	2.7	610	3.9	870	4.0	900	7.0	1570	SK 371.1 - 90 N1/8	14.5	31.9			
			2100	854	12.3	111	6.7	2.46	2.3	510	3.2	710	4.0	900				6.0	1350	
	2100	607	17.3	156	2.6	3.46	1.7	390	2.8	630	3.0	670	4.5	1010	SK 171.1 - 90 N1/8	13.1	29			
			2100	1008	10.4	93.8	5.1	2.08	1.5	330	2.3	520	3.0	670				4.2	950	
			2100	1072	9.8	88.2	5.1	1.96	1.4	320	2.2	500	3.0	670				4.1	910	
			2100	1820	5.8	51.9	6.6	1.15	1.2	270	1.8	400	3.0	670				3.5	790	
			2100	1955	5.4	48.4	6.7	1.07	1.2	270	1.8	390	3.0	670				3.4	770	
			2100	1955	5.4	48.4	6.7	1.07	1.2	270	1.8	390	3.0	670				3.4	770	
	2100	780	13.5	121	1.7	2.69	0.9	210	1.8	410	2.0	430	3.3	730	SK 071.1 - 90 N1/8	12.2	27			
			2100	1761	6.0	53.7	4.2	1.19	0.7	170	1.3	280	2.0	440				2.6	580	
			2100	1955	5.4	48.4	4.5	1.07	0.7	160	1.2	270	2.0	440				2.5	570	
	1.50	2.00	2100	247	58.0	510	2.1	8.50	4.7	1050	8.8	1980	7.5	1690	12.0	2700	SK 771.1 - 90 N2/8	22.6	49.9	
			2100	273	52.5	462	2.8	7.69	4.5	1020	8.5	1920	7.5	1690	12.0	2700				
			2100	424	33.8	298	6.2	4.96	4.0	890	7.4	1670	7.5	1690	12.0	2700				
2100		350	40.9	360	2.2	6.00	3.7	840	7.5	1680	5.0	1120	8.0	1800	SK 571.1 - 90 N2/8	18.3	40.4			
			2100	385	37.3	328	2.7	5.46	3.6	820	7.3	1630	5.0	1120				8.0	1800	
			2100	615	23.3	205	5.9	3.42	3.2	710	6.2	1400	5.0	1120				8.0	1800	
			2100	615	23.3	205	5.9	3.42	3.2	710	6.2	1400	5.0	1120				8.0	1800	
			2100	615	23.3	205	5.9	3.42	3.2	710	6.2	1400	5.0	1120				8.0	1800	
			2100	615	23.3	205	5.9	3.42	3.2	710	6.2	1400	5.0	1120				8.0	1800	

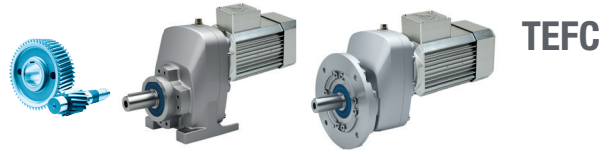
1.50 kW / 2.00 hp
2.20 kW / 3.00 hp

TENV




NORDBLOC.1®
Helical in-line gear units

P ₁		n ₁	n ₂	M ₂		f _B	i _{tot}	F _R /F _A				F _{RVL} /F _{AVL}				Model type	 [kg] [lb]					
								F _R		F _A		F _{RVL}		F _{AVL}								
[kW]	[hp]	[rpm]	[rpm]	[Nm]	[lb-in]			[kN]	[lb]	[kN]	[lb]	[kN]	[lb]	[kN]	[lb]							
1.50	2.00	2100	477	30.0	264	2.1	4.40	2.7	600	3.6	810	4.0	900	6.9	1550	SK 371.1 - 90 N2/8	15.3	33.6				
		2100	854	16.8	148	4.9	2.46	2.2	500	3.0	670	4.0	900	5.9	1330							
		2100	1050	13.6	120	5.9	2.00	2.1	470	2.7	610	4.0	900	5.6	1260							
		2100	1200	11.9	105	6.2	1.75	2.0	450	2.6	580	4.0	900	5.4	1210							
		2100	1365	10.5	92.3	6.4	1.54	1.9	440	2.5	550	4.0	900	5.2	1170							
		2100	1626	8.8	77.5	6.7	1.29	1.8	410	2.3	510	4.0	900	4.9	1110							
		2100	1883	7.6	67.0	7.0	1.12	1.8	390	2.2	490	4.0	900	4.7	1070							
	2100	607	23.6	208	1.9	3.46	1.7	380	2.5	570	3.0	670	4.5	1010	SK 171.1 - 90 N2/8				13.9	30.7		
	2100	1008	14.2	125	3.7	2.08	1.5	330	2.2	480	3.0	670	4.1	930								
	2100	1072	13.4	118	3.7	1.96	1.4	320	2.0	460	3.0	670	4.0	890								
	2100	1820	7.9	69.3	4.8	1.15	1.2	270	1.7	380	3.0	670	3.4	770								
	2100	1955	7.3	64.5	4.9	1.07	1.2	260	1.6	370	3.0	670	3.4	760								
	2.20	3.00	2100	247	85.0	765	1.5	8.50	4.6	1030	8.5	1910	7.5	1690	12.0				2700	SK 771.1 - 90 N3/8	25.0	55.2
			2100	273	77.0	693	1.9	7.69	4.4	1000	8.3	1860	7.5	1690	12.0				2700			
2100			424	49.6	446	4.2	4.96	3.9	880	7.2	1620	7.5	1690	12.0	2700							
2100			508	41.4	372	5.7	4.14	3.7	830	6.6	1490	7.5	1690	12.0	2700							
2100			560	37.5	338	7.0	3.75	3.6	800	6.3	1420	7.5	1690	12.0	2700							
2100		350	60.0	540	1.5	6.00	3.6	810	7.2	1600	5.0	1120	8.0	1800	SK 571.1 - 90 N3/8	20.7	45.7					
2100		385	54.6	492	1.9	5.46	3.5	790	7.0	1570	5.0	1120	8.0	1800								
2100		615	34.2	308	4.0	3.42	3.1	690	6.0	1350	5.0	1120	8.0	1800								
2100		745	28.2	254	5.9	2.82	2.9	650	5.5	1230	5.0	1120	8.0	1800								
2100		840	25.0	225	6.6	2.50	2.8	630	5.2	1160	5.0	1120	8.0	1800								
2100		477	44.0	396	1.4	4.40	2.6	580	3.1	690	4.0	900	6.6	1470	SK 371.1 - 90 N3/8	17.7	38.9					
2100		854	24.6	221	3.4	2.46	2.2	490	2.6	580	4.0	900	5.7	1280								
2100		1050	20.0	180	4.0	2.00	2.1	460	2.4	540	4.0	900	5.4	1220								
2100		1200	17.5	158	4.2	1.75	2.0	440	2.3	520	4.0	900	5.2	1170								
2100		1365	15.4	139	4.4	1.54	1.9	430	2.2	500	4.0	900	5.1	1130								
2100		1626	12.9	116	4.6	1.29	1.8	400	2.1	470	4.0	900	4.8	1080								
2100		1883	11.2	100	4.7	1.12	1.7	390	2.0	440	4.0	900	4.6	1040								
2100		607	34.6	312	1.3	3.46	1.6	350	2.0	450	3.0	670	4.4	980	SK 171.1 - 90 N3/8	16.3	36.0					
2100		1008	20.8	188	2.5	2.08	1.4	310	1.9	410	3.0	670	3.9	880								
2100		1072	19.6	176	2.6	1.96	1.3	300	1.7	380	3.0	670	3.8	840								
2100		1820	11.5	104	3.3	1.15	1.2	260	1.4	320	3.0	670	3.3	730								
2100	1955	10.7	96.7	3.4	1.07	1.1	250	1.4	310	3.0	670	3.2	720									

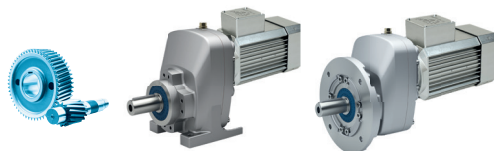


0.50 kW / 0.67 hp
1.00 kW / 1.35 hp


P_1		n_1 n_2		M_2		f_B	i_{tot}	F_R / F_A				F_{RVL} / F_{AVL}				Model type	 [kg] [lb]					
[kW]	[hp]	[rpm]	[rpm]	[Nm]	[lb-in]			F_R	F_A	F_R	F_A	F_{RVL}	F_{AVL}	F_{RVL}	F_{AVL}		[kg]	[lb]				
								[kN]	[lb]	[kN]	[lb]	[kN]	[lb]	[kN]	[lb]							
0.50	0.67	2400	183	26.1	230	2.7	13.1	5.3	1200	9.0	2020	7.5	1690	12	2700	SK 771.1 - 71 F1/8	16.7	36.9				
		2400	233	20.5	181	4.7	10.3	4.9	1110	9.0	2020	7.5	1690	12	2700							
			2400	253	18.9	167	2.8	9.50	4.3	980	7.7	1720	5.0	1120	8.0	1800	SK 571.1 - 71 F1/8	12.4	27.4			
			2400	324	14.7	130	4.9	7.40	4.0	900	7.7	1720	5.0	1120	8.0	1800						
			2400	296	16.1	143	1.9	8.11	3.3	730	3.9	880	4.0	900	7.0	1570						
			2400	333	14.3	127	2.4	7.20	3.2	710	3.9	880	4.0	900	7.0	1570	SK 371.1 - 71 F1/8	9.4	20.6			
			2400	436	10.9	96.8	4.6	5.50	2.9	650	3.9	880	4.0	900	7.0	1570						
			2400	387	12.3	109	2.1	6.20	2.1	460	3.3	740	3.0	670	4.5	1010						
			2400	788	6.1	53.6	5.9	3.05	1.6	370	2.9	660	3.0	670	4.5	1010	SK 171.1 - 71 F1/8	8.0	17.7			
			2400	500	9.5	84.5	1.8	4.80	1.2	260	2.4	530	2.0	440	3.5	790						
			2400	1056	4.5	40.0	4.6	2.27	0.9	210	1.8	400	2.0	440	3.2	720						
			2400	1200	4.0	35.2	6.3	2.00	0.9	200	1.7	380	2.0	440	3.1	690	SK 071.1 - 71 F1/8	7.2	15.8			
1.00			1.35	2400	183	52.1	464	1.4	13.1	5.2	1170	9	2020	7.5	1690	12				2700	SK 771.1 - 71 F2/8	17.8
	2400	233		41.0	365	2.3	10.3	4.9	1090	9	2020	7.5	1690	12	2700							
	2400	282		33.8	301	3.7	8.50	4.6	1030	8.6	1940	7.5	1690	12	2700							
	2400	312		30.6	273	4.8	7.69	4.4	990	8.4	1880	7.5	1690	12	2700							
			2400	253	37.8	337	1.4	9.50	4.2	950	7.7	1720	5.0	1120	8.0	1800	SK 571.1 - 71 F2/8	13.5	29.9			
			2400	324	29.4	262	2.4	7.40	3.9	880	7.7	1720	5.0	1120	8.0	1800						
			2400	400	23.9	213	3.8	6.00	3.7	830	7.4	1650	5.0	1120	8.0	1800						
			2400	439	21.7	194	4.7	5.46	3.6	800	7.2	1610	5.0	1120	8.0	1800						
			2400	296	32.3	288	1.0	8.11	3.2	710	3.9	880	4.0	900	7.0	1570	SK 371.1 - 71 F2/8	10.5	23.1			
			2400	333	28.6	255	1.2	7.20	3.1	690	3.9	880	4.0	900	7.0	1570						
			2400	436	21.9	195	2.3	5.50	2.8	630	3.9	880	4.0	900	7.0	1570						
			2400	545	17.5	156	3.6	4.40	2.6	590	3.8	860	4.0	900	6.9	1540						
			2400	774	12.3	110	6.3	3.10	2.4	530	3.4	760	4.0	900	6.2	1400						
			2400	387	24.7	220	1.1	6.20	2	440	3.3	740	3.0	670	4.5	1010						
			2400	788	12.1	108	3.0	3.05	1.6	360	2.6	580	3.0	670	4.5	1000	SK 171.1 - 71 F2/8	9.1	20.2			
			2400	886	10.8	96	4.2	2.71	1.5	350	2.5	560	3.0	670	4.3	970						
			2400	1152	8.3	73.9	6.4	2.08	1.4	320	2.3	510	3.0	670	4.1	920						
			2400	1226	7.8	69.4	6.4	1.96	1.4	310	2.2	490	3.0	670	4.0	890						
			2400	500	19.1	170	0.9	4.80	1.1	240	2.1	480	2.0	420	3.5	790	SK 071.1 - 71 F2/8	8.2	18.2			
			2400	1056	9.0	80.6	2.3	2.27	0.9	200	1.6	360	2.0	440	3.0	680						
			2400	1200	8.0	70.9	3.1	2.00	0.8	190	1.5	340	2.0	440	2.9	660						
			2400	2013	4.7	42.3	5.3	1.19	0.7	160	1.2	280	2.0	440	2.5	570						
			2400	2234	4.3	38.1	5.6	1.07	0.7	160	1.2	260	2.0	440	2.5	550						

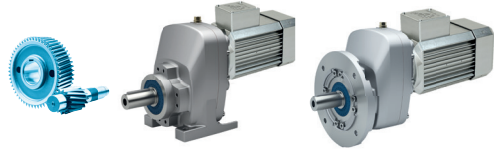
1.50 kW / 2.00 hp

TEFC



NORDBLOC.1®
Helical in-line gear units

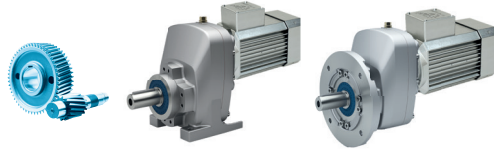
P ₁		n ₁	n ₂	M ₂		f _B	i _{tot}	F _R /F _A				F _{RVL} /F _{AVL}				Model type	 [kg] [lb]	
								F _R	F _A	F _{RVL}	F _{AVL}	F _R	F _A	F _{RVL}	F _{AVL}			
[kW]	[hp]	[rpm]	[rpm]	[Nm]	[lb-in]			[kN]	[lb]	[kN]	[lb]	[kN]	[lb]	[kN]	[lb]			
1.50	2.00	2400	282	50.7	446	2.4	8.50	4.5	1010	8.5	1900	7.5	1690	12	2700	SK 771.1 - 90 F1/8	21.8	48.1
		2400	312	45.9	404	3.2	7.69	4.4	980	8.2	1840	7.5	1690	12	2700			
		2400	484	29.6	260	7.0	4.96	3.8	860	7.0	1570	7.5	1690	12	2700			
		2400	183	78.2	688	0.9	13.1	5.1	1150	9.0	2020	7.5	1690	12	2700	SK 771.1 - 71 F3/8	18.8	41.5
		2400	233	61.5	541	1.6	10.3	4.8	1070	8.9	2010	7.5	1690	12	2700			
		2400	282	50.7	446	2.4	8.50	4.5	1010	8.5	1900	7.5	1690	12	2700			
		2400	312	45.9	404	3.2	7.69	4.4	980	8.2	1840	7.5	1690	12	2700			
		2400	444	32.3	284	5.1	5.41	3.9	880	7.3	1630	7.5	1690	12	2700			
		2400	484	29.6	260	7.0	4.96	3.8	860	7.0	1570	7.5	1690	12	2700			
		2400	484	29.6	260	7.0	4.96	3.8	860	7.0	1570	7.5	1690	12	2700			
		2400	400	35.8	315	2.5	6.00	3.6	810	7.2	1610	5.0	1120	8.0	1800	SK 571.1 - 90 F1/8	17.5	38.7
		2400	439	32.6	287	3.1	5.46	3.5	790	7.0	1570	5.0	1120	8.0	1800			
		2400	702	20.4	179	6.7	3.42	3.0	680	5.8	1310	5.0	1120	8.0	1800			
		2400	253	56.7	499	0.9	9.50	4.1	920	7.7	1720	5.0	1120	8.0	1800	SK 571.1 - 71 F3/8	14.5	32.1
		2400	324	44.2	389	1.6	7.40	3.8	860	7.6	1710	5.0	1120	8.0	1800			
		2400	400	35.8	315	2.5	6.00	3.6	810	7.2	1610	5.0	1120	8.0	1800			
		2400	439	32.6	287	3.1	5.46	3.5	790	7.0	1570	5.0	1120	8.0	1800			
		2400	702	20.4	179	6.7	3.42	3.0	680	5.8	1310	5.0	1120	8.0	1800			
		2400	702	20.4	179	6.7	3.42	3.0	680	5.8	1310	5.0	1120	8.0	1800			
		2400	545	26.3	231	2.4	4.40	2.6	580	3.5	790	4.0	900	6.7	1500	SK 371.1 - 90 F1/8	14.5	31.9
		2400	976	14.7	129	5.7	2.46	2.2	490	2.8	640	4.0	900	5.7	1290			
		2400	1200	11.9	105	6.7	2.00	2.0	450	2.6	590	4.0	900	5.4	1210			
		2400	333	43.0	378	0.8	7.20	3.0	670	3.9	880	4.0	900	7.0	1570	SK 371.1 - 71 F3/8	11.5	25.3
		2400	436	32.8	289	1.5	5.50	2.7	620	3.7	830	4.0	900	7.0	1570			
		2400	545	26.3	231	2.4	4.40	2.6	580	3.5	790	4.0	900	6.7	1500			
		2400	774	18.5	163	4.2	3.10	2.3	520	3.1	700	4.0	900	6.1	1370			
		2400	880	16.3	143	5.1	2.73	2.2	500	2.9	660	4.0	900	5.9	1320			
		2400	976	14.7	129	5.7	2.46	2.2	490	2.8	640	4.0	900	5.7	1290			
		2400	1200	11.9	105	6.7	2.00	2.0	450	2.6	590	4.0	900	5.4	1210			
		2400	1200	11.9	105	6.7	2.00	2.0	450	2.6	590	4.0	900	5.4	1210			
		2400	693	20.7	182	2.2	3.46	1.6	360	2.4	550	3.0	670	4.5	1010	SK 171.1 - 90 F1/8	13.1	29
		2400	1152	12.4	109	4.3	2.08	1.4	310	2.1	470	3.0	670	4.0	900			
		2400	1226	11.7	103	4.3	1.96	1.4	300	2.0	440	3.0	670	3.8	860			
		2400	2080	6.9	60.6	5.5	1.15	1.2	260	1.6	360	3.0	670	3.3	750			
		2400	2234	6.4	56.4	5.6	1.07	1.1	250	1.6	350	3.0	670	3.3	730			
		2400	2234	6.4	56.4	5.6	1.07	1.1	250	1.6	350	3.0	670	3.3	730			
		2400	1152	12.4	109	4.3	2.08	1.4	310	2.1	470	3.0	670	4.0	900	SK 171.1 - 71 F3/8	10.1	22.4
		2400	1226	11.7	103	4.3	1.96	1.4	300	2.0	440	3.0	670	3.8	860			
		2400	2080	6.9	60.6	5.5	1.15	1.2	260	1.6	360	3.0	670	3.3	750			
		2400	2234	6.4	56.4	5.6	1.07	1.1	250	1.6	350	3.0	670	3.3	730			
		2400	2234	6.4	56.4	5.6	1.07	1.1	250	1.6	350	3.0	670	3.3	730			
		2400	891	16.1	141	1.4	2.69	0.9	200	1.6	360	2.0	430	3.1	690	SK 071.1 - 90 F1/8	12.2	27
		2400	2013	7.1	62.6	3.5	1.19	0.7	160	1.1	250	2.0	440	2.4	550			
		2400	2234	6.4	56.4	3.7	1.07	0.7	150	1.1	240	2.0	440	2.4	530			
		2400	2013	7.1	62.6	3.5	1.19	0.7	160	1.1	250	2.0	440	2.4	550	SK 071.1 - 71 F3/8	9.2	20.4
		2400	2234	6.4	56.4	3.7	1.07	0.7	150	1.1	240	2.0	440	2.4	530			




P_1		n_1 n_2		M_2		f_B	i_{tot}	F_R / F_A				F_{RVL} / F_{AVL}				Model type	📦	
[kW]	[hp]	[rpm]	[rpm]	[Nm]	[lb-in]			F_R	F_A	F_R	F_A	F_{RVL}	F_{AVL}	F_{RVL}	F_{AVL}		[kg]	[lb]
2.20	3.00	2400	282	74.4	670	1.7	8.50	4.4	990	8.2	1840	7.5	1690	12	2700	SK 771.1 - 90 F2/8	22.6	49.9
		2400	312	67.3	606	2.2	7.69	4.3	960	8.0	1790	7.5	1690	12	2700			
		2400	484	43.4	391	4.8	4.96	3.8	840	6.8	1520	7.5	1690	12	2700			
		2400	580	36.2	326	6.5	4.14	3.5	800	6.2	1400	7.5	1690	12	2700			
		2400	312	67.3	606	2.2	7.69	4.3	960	8.0	1790	7.5	1690	12	2700	SK 771.1 - 71 F4/8	21.8	48.1
		2400	444	47.3	426	3.5	5.41	3.9	860	7.1	1590	7.5	1690	12	2700			
		2400	484	43.4	391	4.8	4.96	3.8	840	6.8	1520	7.5	1690	12	2700			
		2400	580	36.2	326	6.5	4.14	3.5	800	6.2	1400	7.5	1690	12	2700			
		2400	400	52.5	473	1.7	6.00	3.5	780	6.9	1550	5.0	1120	8	1800	SK 571.1 - 90 F2/8	18.3	40.4
		2400	439	47.8	430	2.1	5.46	3.4	760	6.7	1510	5.0	1120	8	1800			
		2400	702	29.9	269	4.6	3.42	3.0	670	5.6	1270	5.0	1120	8	1800			
		2400	852	24.7	222	6.7	2.82	2.8	630	5.2	1160	5.0	1120	8	1800			
		2400	439	47.8	430	2.1	5.46	3.4	760	6.7	1510	5.0	1120	8	1800	SK 571.1 - 71 F4/8	17.5	38.7
		2400	702	29.9	269	4.6	3.42	3.0	670	5.6	1270	5.0	1120	8	1800			
		2400	852	24.7	222	6.7	2.82	2.8	630	5.2	1160	5.0	1120	8	1800			
		2400	545	38.5	347	1.6	4.40	2.5	560	3.0	670	4.0	900	6.4	1430	SK 371.1 - 90 F2/8	15.3	33.6
		2400	976	21.5	194	3.9	2.46	2.1	470	2.5	570	4.0	900	5.6	1250			
		2400	1200	17.5	158	4.6	2.00	2.0	440	2.4	530	4.0	900	5.3	1180			
		2400	1371	15.3	138	4.8	1.75	1.9	430	2.3	500	4.0	900	5.1	1140			
		2400	1560	13.5	121	5.0	1.54	1.8	410	2.2	480	4.0	900	4.9	1100			
		2400	1858	11.3	102	5.2	1.29	1.7	390	2.0	450	4.0	900	4.7	1050			
		2400	2152	9.8	87.9	5.4	1.12	1.7	370	1.9	430	4.0	900	4.5	1000			
		2400	774	27.1	244	2.9	3.10	2.3	510	2.7	610	4.0	900	5.9	1320			
		2400	880	23.9	215	3.5	2.73	2.2	490	2.6	580	4.0	900	5.7	1280	SK 371.1 - 71 F4/8	14.5	31.9
		2400	976	21.5	194	3.9	2.46	2.1	470	2.5	570	4.0	900	5.6	1250			
		2400	1200	17.5	158	4.6	2.00	2.0	440	2.4	530	4.0	900	5.3	1180			
		2400	1371	15.3	138	4.8	1.75	1.9	430	2.3	500	4.0	900	5.1	1140			
		2400	1560	13.5	121	5.0	1.54	1.8	410	2.2	480	4.0	900	4.9	1100			
		2400	1858	11.3	102	5.2	1.29	1.7	390	2.0	450	4.0	900	4.7	1050			
		2400	2152	9.8	87.9	5.4	1.12	1.7	370	1.9	430	4.0	900	4.5	1000			
		2400	693	30.3	273	1.5	3.46	1.5	340	2.0	450	3.0	670	4.3	960			
		2400	1152	18.2	164	2.9	2.08	1.4	300	1.8	410	3.0	670	3.8	860	SK 171.1 - 90 F2/8	13.9	30.7
		2400	1226	17.1	154	2.9	1.96	1.3	290	1.7	380	3.0	670	3.7	820			
		2400	2080	10.1	90.9	3.8	1.15	1.1	250	1.4	320	3.0	670	3.2	720			
		2400	2234	9.4	84.6	3.8	1.07	1.1	250	1.4	310	3.0	670	3.1	700			
		2400	1152	18.2	164	2.9	2.08	1.4	300	1.8	410	3.0	670	3.8	860			
		2400	1226	17.1	154	2.9	1.96	1.3	290	1.7	380	3.0	670	3.7	820	SK 171.1 - 71 F4/8	13.1	29
		2400	2080	10.1	90.9	3.8	1.15	1.1	250	1.4	320	3.0	670	3.2	720			
		2400	2234	9.4	84.6	3.8	1.07	1.1	250	1.4	310	3.0	670	3.1	700			
		2400	1152	18.2	164	2.9	2.08	1.4	300	1.8	410	3.0	670	3.8	860			

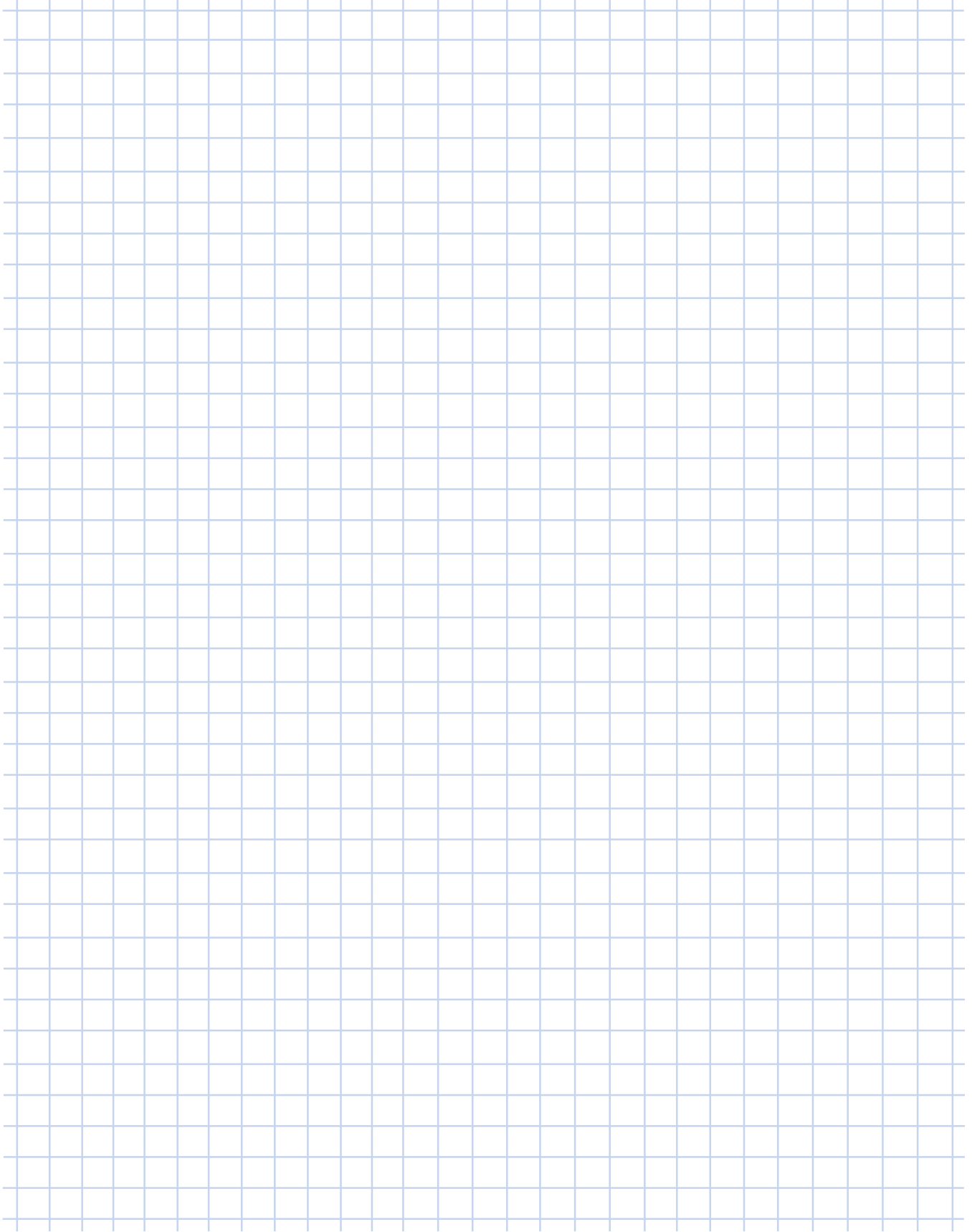
3.00 kW / 4.00 hp
3.70 kW / 5.00 hp

TEFC



NORDBLOC.1®
Helical in-line gear units

P ₁		n ₁	n ₂	M ₂		f _B	i _{tot}	F _R /F _A				F _{RVL} /F _{AVL}				Model type	 [kg] [lb]		
								F _R		F _A		F _{RVL}		F _{AVL}					
[kW]	[hp]	[rpm]	[rpm]	[Nm]	[lb-in]			[kN]	[lb]	[kN]	[lb]	[kN]	[lb]	[kN]	[lb]				
3.00	4.00	2400	282	101	893	1.2	8.50	4.3	970	7.9	1780	7.5	1690	12	2700	SK 771.1 - 90 F3/8	25.6	56.5	
		2400	312	91.8	808	1.6	7.69	4.2	940	7.7	1740	7.5	1690	12	2700				
		2400	484	59.2	521	3.5	4.96	3.7	830	6.6	1480	7.5	1690	12	2700				
		2400	580	49.4	434	4.8	4.14	3.5	780	6.1	1360	7.5	1690	12	2700				
		2400	640	44.8	394	5.9	3.75	3.4	760	5.8	1310	7.5	1690	12	2700				
		2400	709	40.4	356	6.4	3.38	3.3	740	5.6	1250	7.5	1690	12	2700				
	2400	400	71.6	630	1.3	6.00	3.4	760	6.6	1490	5.0	1120	8.0	1800	SK 571.1 - 90 F3/8	21.3	47.0		
	2400	439	65.2	574	1.6	5.46	3.3	740	6.5	1460	5.0	1120	8.0	1800					
	2400	702	40.8	359	3.4	3.42	2.9	650	5.4	1220	5.0	1120	8.0	1800					
	2400	852	33.6	296	4.9	2.82	2.7	620	5.0	1120	5.0	1120	8.0	1800					
	2400	960	29.8	263	5.5	2.50	2.6	600	4.8	1070	5.0	1120	8.0	1800					
	2400	1076	26.6	234	6.0	2.23	2.6	580	4.5	1020	5.0	1120	8.0	1800					
	2400	545	52.5	462	1.2	4.40	2.4	530	2.5	550	4.0	900	6.1	1370	SK 371.1 - 90 F3/8	18.3	40.3		
	2400	976	29.3	258	2.8	2.46	2.1	460	2.2	500	4.0	900	5.4	1210					
	2400	1200	23.9	210	3.4	2.00	1.9	430	2.1	470	4.0	900	5.1	1140					
	2400	1371	20.9	184	3.5	1.75	1.9	420	2	450	4.0	900	4.9	1110					
	2400	1560	18.4	162	3.6	1.54	1.8	400	1.9	440	4.0	900	4.8	1070					
	2400	1858	15.4	136	3.8	1.29	1.7	380	1.8	410	4.0	900	4.5	1020					
	2400	2152	13.3	117	4.0	1.12	1.6	360	1.7	390	4.0	900	4.4	980					
	2400	693	41.3	364	1.1	3.46	1.3	300	1.5	350	3.0	670	4.0	900	SK 171.1 - 90 F3/8	16.9	37.3		
	2400	1152	24.9	219	2.1	2.08	1.3	290	1.5	350	3.0	670	3.7	820					
	2400	1226	23.4	206	2.1	1.96	1.2	280	1.4	310	3.0	670	3.5	780					
	2400	2080	13.8	121	2.8	1.15	1.1	240	1.2	270	3.0	670	3.0	680					
	2400	2234	12.8	113	2.8	1.07	1.1	240	1.2	260	3.0	670	3.0	670					
	2400	545	52.5	462	1.2	4.40	2.4	530	2.5	550	4.0	900	6.1	1370					
	3.70	5.00	2400	282	125	1116	1.0	8.50	4.2	940	7.7	1730	7.5	1690	12	2700	SK 771.1 - 90 F4/8	27.4	60.5
			2400	312	113	1010	1.3	7.69	4.1	920	7.5	1680	7.5	1690	12	2700			
			2400	484	73.0	651	2.8	4.96	3.6	810	6.4	1440	7.5	1690	12	2700			
2400			580	60.9	543	3.9	4.14	3.4	770	5.9	1330	7.5	1690	12	2700				
2400			640	55.2	492	4.8	3.75	3.3	750	5.7	1280	7.5	1690	12	2700				
2400			709	49.8	444	5.2	3.38	3.2	730	5.5	1220	7.5	1690	12	2700				
2400		400	88.3	788	1.0	6.00	3.3	730	6.3	1420	5.0	1120	8.0	1800	SK 571.1 - 90 F4/8	23.1	51.0		
2400		439	80.4	717	1.3	5.46	3.2	720	6.2	1380	5.0	1120	8.0	1800					
2400		702	50.3	449	2.7	3.42	2.8	640	5.2	1180	5.0	1120	8.0	1800					
2400		852	41.5	370	4.0	2.82	2.7	600	4.8	1090	5.0	1120	8.0	1800					
2400		960	36.8	328	4.5	2.5	2.6	580	4.6	1040	5.0	1120	8.0	1800					
2400		1076	32.8	293	4.8	2.23	2.5	570	4.4	990	5.0	1120	8.0	1800					
2400		1418	24.9	222	6.2	1.69	2.3	520	4.0	890	5.0	1120	8.0	1800					
2400		1835	19.3	172	6.7	1.31	2.1	480	3.6	800	5.0	1120	8.0	1800					
2400		545	64.8	578	1.0	4.40	1.8	400	2.0	440	4.0	900	5.8	1310	SK 371.1 - 90 F4/8	20.1	44.2		
2400		976	36.2	323	2.3	2.46	2.0	450	2.0	440	4.0	900	5.2	1170					
2400		1200	29.4	263	2.7	2.00	1.9	420	1.9	420	4.0	900	4.9	1110					
2400		1371	25.8	230	2.9	1.75	1.8	410	1.8	400	4.0	900	4.8	1070					
2400		1560	22.6	202	3.0	1.54	1.8	390	1.7	390	4.0	900	4.6	1040					
2400		1858	19.0	170	3.1	1.29	1.7	370	1.7	370	4.0	900	4.4	990					
2400		2152	16.4	146	3.2	1.12	1.6	360	1.6	350	4.0	900	4.3	950					

A large grid area for taking notes, consisting of a 20x20 grid of small squares.

0.35 kW / 0.46 hp


TENV



NORDBLOC.1®
Helical in-line gear units

P ₁		n ₁	n ₂	M ₂		f _B	i _{tot}	F _R /F _A				F _{RVL} /F _{AVL}				Model type	📦	
[kW]	[hp]			[Nm]	[lb-in]			F _R	F _A	F _{RVL}	F _{AVL}	F _{RVL}	F _{AVL}	[kg]	[lb]			
0.35	0.46	2100	5.3	629	5460	1.4	395.46	10.2	2330	9.0	2020	14.4	3250	25.0	5620	SK 773.1 - 71 N1/8	38.4	84.7
		2100	6.2	543	4711	1.6	341.21	11.0	2500	9.0	2020	14.8	3350	25.0	5620			
		2100	6.3	533	4621	1.6	334.70	11.1	2510	9.0	2020	14.9	3350	25.0	5620			
		2100	6.8	489	4244	1.7	307.42	11.5	2610	9.0	2020	15.1	3410	25.0	5620			
		2100	7.3	460	3987	1.8	288.78	11.7	2650	9.0	2020	15.2	3430	25.0	5620			
		2100	7.9	422	3662	2.0	265.24	12.1	2730	9.0	2020	15.4	3480	25.0	5620			
		2100	8.1	414	3592	2.1	260.18	12.1	2740	9.0	2020	15.4	3480	25.0	5620			
		2100	8.6	388	3362	2.2	243.53	12.4	2790	9.0	2020	15.6	3510	25.0	5620			
		2100	9.4	357	3099	2.4	224.49	12.6	2840	9.0	2020	15.7	3540	25.0	5620			
		2100	10	328	2845	2.7	206.11	12.8	2890	9.0	2020	15.8	3560	25.0	5620			
		2100	11	301	2614	2.8	189.31	13.0	2940	9.0	2020	16.0	3590	25.0	5620			
		2100	12	284	2465	3.0	178.53	13.2	2970	9.0	2020	16.0	3610	25.0	5620			
		2100	13	255	2212	3.4	160.22	13.4	3010	9.0	2020	16.1	3630	25.0	5620			
		2100	14	240	2086	2.9	151.10	13.5	3030	9.0	2020	16.2	3650	25.0	5620			
		2100	15	221	1916	3.8	138.78	13.6	3070	9.0	2020	16.3	3670	25.0	5620			
2100	18	187	1622	4.7	117.46	13.6	3070	9.0	2020	16.4	3690	25.0	5620					
2100	8.5	395	3427	1.6	248.20	10.1	2270	20.0	4500	14.7	3290	20.0	4500	SK 673.1 - 71 N1/8	25.9	57.1		
		2100	9.5	351	3042	1.8	220.32	10.3	2320	20.0	4500	14.8	3330				20.0	4500
		2100	9.6	349	3023	1.8	219.00	10.3	2320	20.0	4500	14.8	3330				20.0	4500
		2100	12	289	2511	2.2	181.88	10.6	2370	20.0	4500	15.0	3360				20.0	4500
		2100	13	257	2229	2.5	161.45	10.7	2390	20.0	4500	15.0	3370				20.0	4500
		2100	14	234	2028	2.7	146.88	10.8	2410	20.0	4500	15.0	3370				20.0	4500
		2100	15	228	1978	2.8	143.30	10.8	2410	20.0	4500	15.0	3370				20.0	4500
		2100	16	214	1859	3.0	134.64	10.8	2420	20.0	4500	15.0	3370				20.0	4500
		2100	16	208	1802	3.1	130.55	10.8	2420	20.0	4500	15.0	3370				20.0	4500
		2100	17	196	1703	3.3	123.33	10.8	2430	20.0	4500	15.0	3370				20.0	4500
		2100	18	184	1600	3.5	115.89	10.9	2440	20.0	4500	15.0	3370				20.0	4500
		2100	20	165	1429	3.9	103.48	10.9	2450	20.0	4500	15.0	3370				20.0	4500
		2100	22	151	1310	4.2	94.86	10.9	2450	20.0	4500	15.0	3370				20.0	4500
		2100	25	133	1156	4.8	83.70	11.0	2460	20.0	4500	15.0	3370				20.0	4500
		2100	37	90.2	782	4.4	56.65	11.0	2470	20.0	4500	15.0	3370				20.0	4500
2100	10	320	2777	1.4	201.16	9.4	1830	14.5	3260	11.0	2470	14.5	3260	SK 573.1 - 71 N1/8	19.9	43.9		
		2100	10	320	2777	1.4	201.16	6.6	1830	14.5	3260	11.0	2470				14.5	3260
		2100	12	284	2465	1.6	178.56	9.7	1870	14.5	3260	11.0	2470				14.5	3260
		2100	12	284	2465	1.6	178.56	6.9	1870	14.5	3260	11.0	2470				14.5	3260
		2100	15	217	1883	2.1	136.40	9.9	1940	14.5	3260	11.0	2470				14.5	3260
		2100	15	217	1883	2.1	136.40	7.2	1940	14.5	3260	11.0	2470				14.5	3260
		2100	17	200	1732	2.3	125.45	9.9	1960	14.5	3260	11.0	2470				14.5	3260
		2100	17	200	1732	2.3	125.45	7.3	1960	14.5	3260	11.0	2470				14.5	3260
		2100	19	177	1537	2.5	111.36	10.0	1980	14.5	3260	11.0	2470				14.5	3260
		2100	19	177	1537	2.5	111.36	7.4	1980	14.5	3260	11.0	2470				14.5	3260
		2100	19	174	1506	2.6	109.12	10.0	1980	14.5	3260	11.0	2470				14.5	3260
2100	19	174	1506	2.6	109.12	7.4	1980	14.5	3260	11.0	2470	14.5	3260					




P_1		n_1	n_2	M_2		f_B	i_{tot}	F_R / F_A				F_{RVL} / F_{AVL}				Model type	 [kg] [lb]	
[kW]	[hp]							[Nm]	[lb-in]	F_R	F_A	F_{RVL}	F_{AVL}	[kN]	[lb]			
0.35	0.46	2100	20	171	1483	2.5	107.42	10.0	1980	14.5	3260	11.0	2470	14.5	3260	SK 573.1 - 71 N1/8	19.9	43.9
		2100	20	171	1483	2.5	107.42	7.5	1980	14.5	3260	11.0	2470	14.5	3260			
		2100	22	150	1305	3.0	94.50	10.0	1990	14.5	3260	11.0	2470	14.5	3260			
		2100	22	150	1305	3.0	94.50	7.5	1990	14.5	3260	11.0	2470	14.5	3260			
		2100	25	136	1176	3.3	85.18	10.1	2000	14.5	3260	11.0	2470	14.5	3260			
		2100	25	136	1176	3.3	85.18	7.6	2000	14.5	3260	11.0	2470	14.5	3260			
		2100	27	122	1061	3.7	76.88	10.1	2010	14.5	3260	11.0	2470	14.5	3260			
		2100	27	122	1061	3.7	76.88	7.6	2010	14.5	3260	11.0	2470	14.5	3260			
		2100	31	108	934	4.2	67.64	10.1	2020	14.5	3260	11.0	2470	14.5	3260			
		2100	31	108	934	4.2	67.64	7.6	2020	14.5	3260	11.0	2470	14.5	3260			
		2100	34	97	842	4.6	60.97	10.1	2020	14.5	3260	11.0	2470	14.5	3260			
		2100	34	97	842	4.6	60.97	7.7	2020	14.5	3260	11.0	2470	14.5	3260			
2100	39	86.6	751	4.3	54.41	10.1	2020	15.0	3370	11.0	2470	15.0	3370	SK 572.1 - 71 N1/8	19.4	42.8		
		86.6	751	4.3	54.41	7.7	2020	15.0	3370	11.0	2470	15.0	3370					
		72.8	632	4.4	45.77	10.1	2030	15.0	3370	11.0	2470	15.0	3370					
		72.8	632	4.4	45.77	7.7	2030	15.0	3370	11.0	2470	15.0	3370					
2100	14	231	2002	0.9	145.00	4.6	1120	10.2	2290	7.2	1720	10.2	2290	SK 373.1 - 71 N1/8	12.4	27.3		
		2100	16	208	1807	1.0	130.87	4.9	1170	10.2	2290	7.4	1750				10.2	2290
		2100	28	118	1025	1.7	74.27	5.6	1310	10.2	2290	7.9	1800				10.2	2290
		2100	32	103	893	1.9	64.70	5.6	1330	10.2	2290	7.9	1800				10.2	2290
		2100	35	95.8	831	2.1	60.22	5.7	1340	10.2	2290	7.9	1800				10.2	2290
		2100	39	85.9	745	2.4	54.00	5.7	1340	10.2	2290	8.0	1800				10.2	2290
		2100	45	74.9	649	2.8	47.05	5.7	1350	10.2	2290	8.0	1800				10.2	2290
		2100	49	67.6	586	3.0	42.46	5.8	1360	10.2	2290	8.0	1800				10.2	2290
		2100	56	59.3	514	3.4	37.23	5.8	1360	10.2	2290	8.0	1800				10.2	2290
		2100	63	52.8	458	3.8	33.20	5.8	1360	10.2	2290	8.0	1800				10.2	2290
		2100	71	47.4	411	4.4	29.77	5.8	1370	10.2	2290	8.0	1800				10.2	2290
		2100	49	68.8	597	2.5	43.26	5.8	1360	10.2	2290	8.0	1800				10.2	2290
2100	55			60.7	526	3.0	38.12	5.8	1360	10.2	2290	8.0	1800	10.2	2290			
2100	62			53.9	467	3.5	33.84	5.8	1360	10.2	2290	8.0	1800	10.2	2290			
2100	70			47.9	416	3.8	30.11	5.8	1370	10.2	2290	8.0	1800	10.2	2290			
2100	81			41.1	357	4.6	25.85	5.8	1370	10.2	2290	8.0	1800	10.2	2290			
2100	76	44	381	2.1	27.62	2.8	630	3.9	880					SK 172.1 - 71 N1/8	9.0	19.8		
		2100	85	39.5	342	2.3	24.8	2.8	630	3.9	880							
		2100	94	35.7	309	2.6	22.42	2.8	630	3.9	880							
		2100	103	32.4	281	2.6	20.37	2.8	630	3.9	880							
		2100	113	29.6	257	2.8	18.60	2.8	630	3.9	880							
		2100	133	25.1	218	3.4	15.76	2.8	630	3.9	880							
		2100	155	21.6	187	3.9	13.54	2.8	630	3.9	880							
		2100	174	19.2	167	4.5	12.06	2.8	630	3.9	880							
		2100	184	18.1	157	4.7	11.39	2.8	630	3.9	880							
		2100	194	17.2	150	5.0	10.83	2.8	630	3.9	880							

0.70 kW / 0.95 hp

TENV



NORDBLOC.1®
Helical in-line gear units

P_1		n_1	n_2	M_2		f_B	i_{tot}	F_R / F_A				F_{RVL} / F_{AVL}				Model type	 [kg] [lb]				
[kW]	[hp]							[Nm]	[lb-in]	F_R	F_A	F_{RVL}	F_{AVL}	[kN]	[lb]				[kN]	[lb]	
0.70	0.95	2100	6.2	1086	9728	0.8	341.21	5.1	1100	9.0	2020	11.6	2590	25.0	5620	SK 773.1 - 71 N2/8	39.5	87.1			
		2100	6.3	1065	9543	0.8	334.70	5.2	1140	9.0	2020	11.7	2610	25.0	5620						
		2100	6.8	979	8765	0.9	307.42	6.5	1420	9.0	2020	12.3	2750	25.0	5620						
		2100	7.3	919	8234	0.9	288.78	7.1	1560	9.0	2020	12.7	2830	25.0	5620						
		2100	7.9	844	7562	1.0	265.24	8.0	1780	9.0	2020	13.2	2950	25.0	5620						
		2100	8.1	828	7418	1.1	260.18	8.1	1800	9.0	2020	13.2	2960	25.0	5620						
		2100	8.6	775	6943	1.1	243.53	8.8	1950	9.0	2020	13.6	3040	25.0	5620						
		2100	9.4	715	6400	1.2	224.49	9.3	2080	9.0	2020	13.9	3110	25.0	5620						
		2100	10	656	5877	1.3	206.11	9.9	2210	9.0	2020	14.2	3190	25.0	5620						
		2100	11	603	5397	1.4	189.31	10.5	2340	9.0	2020	14.5	3260	25.0	5620						
		2100	12	568	5090	1.5	178.53	10.8	2420	9.0	2020	14.7	3300	25.0	5620						
		2100	13	510	4568	1.7	160.22	11.3	2530	9.0	2020	15.0	3360	25.0	5620						
		2100	14	481	4308	1.5	151.10	11.5	2580	9.0	2020	15.1	3390	25.0	5620						
		2100	15	442	3957	1.9	138.78	11.9	2670	9.0	2020	15.3	3440	25.0	5620						
		2100	18	374	3349	2.3	117.46	12.4	2790	9.0	2020	15.6	3510	25.0	5620						
		2100	19	356	3191	2.4	111.92	12.6	2830	9.0	2020	15.7	3530	25.0	5620						
		2100	22	307	2753	2.8	96.57	12.3	2760	9.0	2020	15.9	3580	25.0	5620						
		2100	22	298	2669	2.9	93.61	12.2	2740	9.0	2020	16.0	3590	25.0	5620						
		2100	25	265	2376	3.2	83.32	11.8	2650	9.0	2020	16.1	3620	25.0	5620						
		2100	27	252	2259	3.4	79.23	11.6	2610	9.0	2020	16.2	3630	25.0	5610						
		2100	29	229	2050	3.7	71.89	11.3	2550	9.0	2020	16.3	3650	24.5	5500						
		2100	30	219	1965	3.9	68.92	11.2	2520	9.0	2020	16.3	3660	24.2	5440						
		2100	33	202	1808	4.2	63.42	10.9	2460	9.0	2020	16.4	3680	23.7	5330						
		2100	36	183	1644	4.6	57.64	10.6	2390	9.0	2020	16.4	3690	23.2	5210						
		2100	8.5	790	7077	0.8	248.20	4.6	1140	20.0	4500	12.5	2760	20.0	4500				SK 673.1 - 71 N2/8	27	59.5
		2100	9.5	701	6282	0.9	220.32	7.5	1690	20.0	4500	13.1	2920	20.0	4500						
		2100	9.6	697	6244	0.9	219.00	7.6	1700	20.0	4500	13.2	2930	20.0	4500						
		2100	12	579	5186	1.1	181.88	8.9	1970	20.0	4500	13.9	3100	20.0	4500						
		2100	13	514	4603	1.2	161.45	9.4	2090	20.0	4500	14.2	3170	20.0	4500						
		2100	14	468	4188	1.4	146.88	9.7	2160	20.0	4500	14.4	3220	20.0	4500						
		2100	15	456	4086	1.4	143.30	9.8	2180	20.0	4500	14.5	3230	20.0	4500						
		2100	16	429	3839	1.5	134.64	9.9	2220	20.0	4500	14.6	3260	20.0	4500						
		2100	16	416	3722	1.5	130.55	10.0	2230	20.0	4500	14.6	3270	20.0	4500						
		2100	17	393	3516	1.6	123.33	10.1	2260	20.0	4500	14.7	3290	20.0	4500						
		2100	18	369	3304	1.7	115.89	10.3	2290	20.0	4500	14.8	3310	20.0	4500						
		2100	20	329	2950	1.9	103.48	10.4	2330	20.0	4500	14.9	3330	20.0	4500						
2100	22	302	2705	2.1	94.86	10.5	2350	20.0	4500	15.0	3350	20.0	4500								
2100	25	266	2386	2.4	83.70	10.7	2380	20.0	4500	15.0	3370	20.0	4500								
2100	29	234	2099	2.7	73.64	10.8	2400	20.0	4500	15.0	3370	20.0	4500								
2100	32	210	1880	3.0	65.95	10.8	2420	20.0	4500	15.0	3370	20.0	4500								
2100	35	192	1724	3.3	60.45	10.9	2430	20.0	4500	15.0	3370	20.0	4500								
2100	38	175	1572	3.6	55.12	10.9	2440	20.0	4500	15.0	3370	20.0	4500								
2100	42	158	1411	4.1	49.50	10.9	2450	20.0	4500	15.0	3370	20.0	4500								
2100	47	143	1279	4.5	44.85	11.0	2450	20.0	4500	15.0	3370	20.0	4500								
2100	51	132	1184	4.8	41.54	11.0	2460	20.0	4500	15.0	3370	20.0	4500								




P ₁		n ₁	n ₂	M ₂		f _B	i _{tot}	F _R /F _A				F _{RVL} /F _{AVL}				Model type	📦	
[kW]	[hp]			[Nm]	[lb-in]			F _R	F _A	F _{RVL}	F _{AVL}	F _{RVL}	F _{AVL}	[kg]	[lb]			
0.70	0.95	2100	37	180	1615	2.2	56.65	10.9	2440	20.0	4500	15.0	3370	20.0	4500	SK 672.1 - 71 N2/8	26.0	57.3
		2100	47	142	1270	3.2	44.55	11.0	2450	20.0	4500	15.0	3370	20.0	4500			
		2100	59	114	1019	4.8	35.75	11.0	2460	20.0	4500	15.0	3370	20.0	4500			
		2100	12	568	5091	0.8	178.56	5.6	1180	14.5	3260	11.0	2260	14.5	3260	SK 573.1 - 71 N2/8	21.0	46.3
		2100	12	568	5091	0.8	178.56	0.0	1180	14.5	3260	11.0	2260	14.5	3260			
		2100	15	434	3889	1.0	136.40	7.7	1600	14.5	3260	11.0	2470	14.5	3260			
		2100	15	434	3889	1.0	136.40	5.4	1600	14.5	3260	11.0	2470	14.5	3260			
		2100	17	399	3577	1.1	125.45	8.3	1670	14.5	3260	11.0	2470	14.5	3260			
		2100	17	399	3577	1.1	125.45	5.8	1670	14.5	3260	11.0	2470	14.5	3260			
		2100	19	354	3175	1.3	111.36	8.9	1760	14.5	3260	11.0	2470	14.5	3260			
		2100	19	354	3175	1.3	111.36	6.3	1760	14.5	3260	11.0	2470	14.5	3260			
		2100	19	347	3111	1.3	109.12	9.0	1770	14.5	3260	11.0	2470	14.5	3260			
		2100	19	347	3111	1.3	109.12	6.4	1770	14.5	3260	11.0	2470	14.5	3260			
		2100	20	342	3063	1.3	107.42	9.1	1780	14.5	3260	11.0	2470	14.5	3260			
		2100	20	342	3063	1.3	107.42	6.4	1780	14.5	3260	11.0	2470	14.5	3260			
		2100	22	301	2694	1.5	94.50	9.6	1840	14.5	3260	11.0	2470	14.5	3260			
		2100	22	301	2694	1.5	94.50	6.7	1840	14.5	3260	11.0	2470	14.5	3260			
		2100	25	271	2429	1.7	85.18	9.7	1880	14.5	3260	11.0	2470	14.5	3260			
		2100	25	271	2429	1.7	85.18	6.9	1880	14.5	3260	11.0	2470	14.5	3260			
		2100	27	245	2192	1.8	76.88	9.8	1910	14.5	3260	11.0	2470	14.5	3260			
		2100	27	245	2192	1.8	76.88	7.1	1910	14.5	3260	11.0	2470	14.5	3260			
		2100	31	215	1928	2.1	67.64	9.9	1940	14.5	3260	11.0	2470	14.5	3260			
		2100	31	215	1928	2.1	67.64	7.3	1940	14.5	3260	11.0	2470	14.5	3260			
		2100	34	194	1738	2.3	60.97	9.9	1960	14.5	3260	11.0	2470	14.5	3260			
		2100	34	194	1738	2.3	60.97	7.4	1960	14.5	3260	11.0	2470	14.5	3260			
		2100	38	178	1591	2.5	55.80	10.0	1970	14.5	3260	11.0	2470	14.5	3260			
		2100	38	178	1591	2.5	55.80	7.4	1970	14.5	3260	11.0	2470	14.5	3260			
		2100	42	158	1414	2.9	49.60	10.0	1990	14.5	3260	11.0	2470	14.5	3260			
		2100	42	158	1414	2.9	49.60	7.5	1990	14.5	3260	11.0	2470	14.5	3260			
		2100	44	153	1367	2.9	47.95	10.0	1990	14.5	3260	11.0	2470	14.5	3260			
		2100	44	153	1367	2.9	47.95	7.5	1990	14.5	3260	11.0	2470	14.5	3260			
		2100	48	138	1237	3.3	43.40	10.1	2000	14.5	3260	11.0	2470	14.5	3260			
		2100	48	138	1237	3.3	43.40	7.6	2000	14.5	3260	11.0	2470	14.5	3260			
		2100	50	134	1203	3.4	42.18	10.1	2000	14.5	3260	11.0	2470	14.5	3260			
		2100	50	134	1203	3.4	42.18	7.6	2000	14.5	3260	11.0	2470	14.5	3260			
		2100	55	121	1084	3.7	38.02	10.1	2010	14.5	3260	11.0	2470	14.5	3260			
		2100	55	121	1084	3.7	38.02	7.6	2010	14.5	3260	11.0	2470	14.5	3260			
		2100	60	111	992	4.0	34.80	10.1	2010	14.5	3260	11.0	2470	14.5	3260			
		2100	60	111	992	4.0	34.80	7.6	2010	14.5	3260	11.0	2470	14.5	3260			
		2100	68	98.5	882	4.5	30.93	10.1	2020	14.5	3260	11.0	2470	14.5	3260			
		2100	68	98.5	882	4.5	30.93	7.7	2020	14.5	3260	11.0	2470	14.5	3260			
		2100	78	85.2	763	5.0	26.77	10.1	2020	14.5	3260	11.0	2470	14.5	3260			
		2100	78	85.2	763	5.0	26.77	7.7	2020	14.5	3260	11.0	2470	14.5	3260			

0.70 kW / 0.95 hp


TENV



NORDBLOC.1®
Helical in-line gear units

P ₁		n ₁	n ₂	M ₂		f _B	i _{tot}	F _R /F _A				F _{RVL} /F _{AVL}				Model type	 [kg] [lb]					
								F _R	F _A	F _{RVL}	F _{AVL}	F _R	F _A	F _{RVL}	F _{AVL}							
[kW]	[hp]	[rpm]		[Nm]	[lb-in]			[kN]	[lb]	[kN]	[lb]	[kN]	[lb]	[kN]	[lb]							
0.70	0.95	2100	39	173	1551	2.1	54.41	10.0	1980	15.0	3370	11.0	2470	15.0	3370	SK 572.1 - 71 N2/8	20.5	45.2				
		2100	39	173	1551	2.1	54.41	7.4	1980	15.0	3370	11.0	2470	15.0	3370							
		2100	46	146	1305	2.2	45.77	10.0	1990	15.0	3370	11.0	2470	15.0	3370							
		2100	46	146	1305	2.2	45.77	7.5	1990	15.0	3370	11.0	2470	15.0	3370							
		2100	50	135	1208	2.7	42.38	10.1	2000	15.0	3370	11.0	2470	15.0	3370							
		2100	50	135	1208	2.7	42.38	7.6	2000	15.0	3370	11.0	2470	15.0	3370							
		2100	59	113	1017	3.3	35.65	10.1	2010	15.0	3370	11.0	2470	15.0	3370							
		2100	59	113	1017	3.3	35.65	7.6	2010	15.0	3370	11.0	2470	15.0	3370							
		2100	73	92.0	824	4.1	28.91	10.1	2020	15.0	3370	11.0	2470	15.0	3370							
		2100	73	92.0	824	4.1	28.91	7.7	2020	15.0	3370	11.0	2470	15.0	3370							
		2100	78	85.9	770	4.7	27.00	10.1	2020	15.0	3370	11.0	2470	15.0	3370							
		2100	78	85.9	770	4.7	27.00	7.7	2020	15.0	3370	11.0	2470	15.0	3370							
		2100		28	236	2118	0.8	74.27	4.5	1070	10.2	2290	7.2	1700	10.2				2290	SK 373.1 - 71 N2/8	13.5	29.8
				32	206	1845	1.0	64.70	4.9	1140	10.2	2290	7.4	1750	10.2				2290			
35	192			1717	1.0	60.22	5.0	1170	10.2	2290	7.5	1770	10.2	2290								
39	172			1540	1.2	54.00	5.2	1190	10.2	2290	7.6	1790	10.2	2290								
45	150			1341	1.4	47.05	5.4	1220	10.2	2290	7.7	1800	10.2	2290								
49	135			1211	1.5	42.46	5.5	1220	10.2	2290	7.8	1800	10.2	2290								
56	119			1062	1.7	37.23	5.6	1240	10.2	2290	7.9	1800	10.2	2290								
63	106			947	1.9	33.20	5.6	1270	10.2	2290	7.9	1800	10.2	2290								
71	94.8			849	2.2	29.77	5.6	1260	10.2	2290	7.9	1800	10.2	2290								
81	82.6			739	2.5	25.94	5.6	1250	10.2	2290	8.0	1800	10.2	2290								
90	74.5			667	2.8	23.41	5.5	1230	10.2	2290	8.0	1790	10.2	2290								
92	72.4			648	2.9	22.74	5.5	1240	10.2	2290	7.9	1770	10.2	2290								
102	65.3			585	3.2	20.52	5.4	1220	10.2	2290	7.6	1720	10.2	2290								
113	59.3			531	3.2	18.63	5.3	1190	10.2	2290	7.4	1670	10.2	2290								
2100		49	138	1233	1.2	43.26	5.5	1290	10.2	2290	7.8	1800	10.2	2290	SK 372.1 - 71 N2/8	13	28.7					
		55	121	1087	1.5	38.12	5.5	1280	10.2	2290	7.8	1800	10.2	2290								
		62	108	965	1.8	33.84	5.6	1280	10.2	2290	7.9	1800	10.2	2290								
		70	95.8	858	1.9	30.11	5.7	1270	10.2	2290	7.9	1800	10.2	2290								
		81	82.3	737	2.3	25.85	5.7	1270	10.2	2290	8.0	1800	10.2	2290								
		91	73.2	656	2.7	23.00	5.6	1250	10.2	2290	7.9	1780	10.2	2290								
		102	65.7	588	2.9	20.62	5.5	1230	10.2	2290	7.7	1720	10.2	2290								
		114	58.6	525	3.4	18.40	5.4	1220	10.2	2290	7.4	1670	10.2	2290								
		127	52.5	470	3.6	16.50	5.3	1190	10.2	2290	7.2	1610	10.2	2290								
		144	46.4	415	4.1	14.57	5.3	1180	10.2	2290	6.9	1550	10.2	2290								
		162	41.3	370	4.8	12.96	5.1	1150	10.2	2290	6.7	1500	10.2	2290								
		2100		76	87.9	787	1.0	27.62	2.8	630	3.9	880								SK 172.1 - 71 N2/8	10.1	22.3
				85	78.9	707	1.2	24.80	2.8	630	3.9	880										
				94	71.4	639	1.3	22.42	2.8	630	3.9	880										
103	64.8			581	1.3	20.37	2.8	630	3.9	880												
113	59.2			530	1.4	18.60	2.8	630	3.9	880												
133	50.2			449	1.7	15.76	2.8	630	3.9	880												
155	43.1			386	2.0	13.54	2.8	630	3.9	880												



P_1		n_1	n_2	M_2		f_B	i_{tot}	F_R / F_A				F_{RVL} / F_{AVL}				Model type		
[kW]	[hp]	[rpm]	[rpm]	[Nm]	[lb-in]			F_R	F_A	F_R	F_A	F_{RVL}	F_{AVL}	F_{RVL}	F_{AVL}		[kg]	[lb]
0.70	0.95	2100	174	38.4	344	2.3	12.06	2.8	630	3.9	880					SK 172.1 - 71 N2/8	10.1	22.3
		2100	184	36.3	325	2.3	11.39	2.8	630	3.9	880							
		2100	194	34.5	309	2.5	10.83	2.8	630	3.9	880							
		2100	214	31.2	279	2.7	9.79	2.8	630	3.9	880							
		2100	241	27.8	249	3.2	8.72	2.8	630	3.9	880							
		2100	268	24.9	223	3.3	7.83	2.8	630	3.9	880							
		2100	297	22.5	202	3.6	7.08	2.8	630	3.9	880							
		2100	326	20.5	183	4.0	6.43	2.8	630	3.9	880							
		2100	364	18.4	164	4.2	5.77	2.8	630	3.9	880							
		2100	455	14.7	132	4.9	4.62	2.8	630	3.9	880							
		2100	503	13.3	119	4.9	4.17	2.8	630	3.9	880							
		2100	554	12.1	108	4.9	3.79	2.8	630	3.9	880							
		2100	607	11	98.7	4.9	3.46	2.8	630	3.9	880							
1.05	1.40	2100	9.4	1072	9432	0.8	224.49	5.2	1180	9.0	2020	11.7	2630	25.0	5620	SK 773.1 - 71 N3/8	40.5	89.3
		2100	11	904	7954	0.9	189.31	7.4	1670	9.0	2020	12.8	2890	25.0	5620			
		2100	13	765	6732	1.1	160.22	8.8	1990	9.0	2020	13.6	3070	25.0	5620			
		2100	15	663	5831	1.3	138.78	9.9	2240	9.0	2020	14.2	3200	25.0	5620			
		2100	18	561	4935	1.6	117.46	10.8	2440	9.0	2020	14.7	3310	25.0	5620			
		2100	19	534	4703	1.6	111.92	11.1	2510	9.0	2020	14.9	3350	25.0	5620			
		2100	22	461	4057	1.8	96.57	11.7	2640	9.0	2020	15.2	3430	24.8	5580			
		2100	22	447	3933	1.9	93.61	11.7	2620	9.0	2020	15.3	3440	24.6	5550			
		2100	25	398	3501	2.1	83.32	11.3	2550	9.0	2020	15.5	3490	24.1	5430			
		2100	27	378	3329	2.3	79.23	11.2	2510	9.0	2020	15.6	3510	23.8	5360			
		2100	29	343	3021	2.5	71.89	10.9	2450	9.0	2020	15.8	3550	23.4	5270			
		2100	30	329	2896	2.6	68.92	10.8	2430	9.0	2020	15.8	3560	23.2	5220			
		2100	33	303	2665	2.8	63.42	10.6	2380	9.0	2020	16.0	3590	22.8	5130			
		2100	36	275	2422	3.1	57.64	10.3	2320	9.0	2020	16.1	3610	22.3	5030			
		2100	41	245	2156	3.5	51.31	10.0	2240	9.0	2020	16.2	3640	21.8	4900			
		2100	44	227	2000	3.8	47.61	9.8	2200	9.0	2020	16.3	3650	21.4	4800			
		2100	48	207	1825	4.2	43.43	9.5	2140	9.0	2020	16.3	3670	20.9	4700			
		2100	54	186	1641	4.6	39.06	9.3	2080	9.0	2020	16.4	3690	20.4	4590			
		2100	59	171	1503	4.8	35.77	9.0	2030	9.0	2020	16.5	3710	20.0	4490			
				2100	13	771	6783	0.8	161.45	5.4	1510	20.0	4500	12.6	2820			
		2100	14	701	6171	0.9	146.88	7.5	1720	20.0	4500	13.1	2940	20.0	4500			
		2100	15	684	6021	0.9	143.30	7.9	1760	20.0	4500	13.2	2970	20.0	4500			
		2100	16	643	5657	1.0	134.64	8.3	1860	20.0	4500	13.5	3030	20.0	4500			
		2100	16	623	5485	1.0	130.55	8.5	1900	20.0	4500	13.6	3050	20.0	4500			
		2100	17	589	5182	1.1	123.33	8.8	1970	20.0	4500	13.8	3100	20.0	4500			
		2100	18	553	4869	1.2	115.89	9.1	2040	20.0	4500	14.0	3140	20.0	4500			
		2100	20	494	4348	1.3	103.48	9.5	2140	20.0	4500	14.3	3200	20.0	4500			
		2100	22	453	3986	1.4	94.86	9.8	2200	20.0	4500	14.5	3240	20.0	4500			
		2100	25	400	3517	1.6	83.70	10.1	2260	20.0	4500	14.7	3290	20.0	4500			
		2100	29	352	3094	1.8	73.64	10.3	2310	20.0	4500	14.8	3320	20.0	4500			
		2100	32	315	2771	2.0	65.95	10.5	2350	20.0	4500	14.9	3350	20.0	4500			
		2100	35	289	2540	2.2	60.45	10.6	2370	20.0	4500	15.0	3360	20.0	4500			

1.05 kW / 1.40 hp

TENV



NORDBLOC.1®
Helical in-line gear units

P ₁		n ₁	n ₂	M ₂		f _B	i _{tot}	F _R /F _A				F _{RVL} /F _{AVL}				Model type	📦	
[kW]	[hp]			[Nm]	[lb-in]			F _R	F _A	F _{RVL}	F _{AVL}	[kN]	[lb]	[kN]	[lb]		[kN]	[lb]
1.05	1.40	2100	38	263	2316	2.4	55.12	10.7	2390	20.0	4500	15.0	3370	20.0	4500	SK 673.1 - 71 N3/8	28	61.7
		2100	42	236	2080	2.7	49.50	10.7	2410	20.0	4500	15.0	3370	20.0	4500			
		2100	47	214	1884	3.0	44.85	10.8	2420	20.0	4500	15.0	3370	20.0	4500			
		2100	51	198	1745	3.2	41.54	10.8	2430	20.0	4500	15.0	3370	20.0	4500			
		2100	56	178	1564	3.6	37.23	10.9	2440	20.0	4500	15.0	3370	20.0	4500			
		2100	62	163	1434	3.7	34.12	10.9	2450	20.0	4500	15.0	3370	20.0	4500			
		2100	68	148	1299	3.6	30.92	10.9	2450	20.0	4500	15.0	3370	20.0	4500			
		2100	76	132	1160	3.9	27.61	11.0	2460	20.0	4500	15.0	3370	20.0	4500			
		2100	83	120	1058	4.2	25.19	11.0	2460	20.0	4500	15.0	3370	20.0	4500			
		2100	92	109	959	4.1	22.82	11.0	2460	20.0	4500	15.0	3370	20.0	4500			
2100	37	270	2380	1.5	56.65	10.6	2380	20.0	4500	15.0	3370	20.0	4500	SK 672.1 - 71 N3/8	27	59.5		
		2100	47	213	1872	2.1	44.55	10.8	2420	20.0	4500	15.0	3370				20.0	4500
		2100	59	171	1502	3.2	35.75	10.9	2440	20.0	4500	15.0	3370				20.0	4500
2100	17	599	5271	0.8	125.45	5.1	1100	14.5	3260	11.0	2220	14.5	3260	SK 573.1 - 71 N3/8	22	48.5		
		2100	17	599	5271	0.8	125.45	0.0	1100	14.5	3260	11.0	2220				14.5	3260
		2100	19	532	4679	0.8	111.36	6.2	1350	14.5	3260	11.0	2350				14.5	3260
		2100	19	532	4679	0.8	111.36	0.0	1350	14.5	3260	11.0	2350				14.5	3260
		2100	19	521	4585	0.9	109.12	6.4	1390	14.5	3260	11.0	2370				14.5	3260
		2100	19	521	4585	0.9	109.12	1.5	1390	14.5	3260	11.0	2370				14.5	3260
		2100	20	513	4513	0.8	107.42	6.6	1410	14.5	3260	11.0	2390				14.5	3260
		2100	20	513	4513	0.8	107.42	2.3	1410	14.5	3260	11.0	2390				14.5	3260
		2100	22	451	3971	1.0	94.50	7.6	1580	14.5	3260	11.0	2470				14.5	3260
		2100	22	451	3971	1.0	94.50	5.2	1580	14.5	3260	11.0	2470				14.5	3260
		2100	25	407	3579	1.1	85.18	8.2	1670	14.5	3260	11.0	2470				14.5	3260
		2100	25	407	3579	1.1	85.18	5.7	1670	14.5	3260	11.0	2470				14.5	3260
		2100	27	367	3230	1.2	76.88	8.7	1750	14.5	3260	11.0	2470				14.5	3260
		2100	27	367	3230	1.2	76.88	6.2	1750	14.5	3260	11.0	2470				14.5	3260
		2100	31	323	2842	1.4	67.64	9.3	1820	14.5	3260	11.0	2470				14.5	3260
		2100	31	323	2842	1.4	67.64	6.6	1820	14.5	3260	11.0	2470				14.5	3260
		2100	34	291	2562	1.5	60.97	9.7	1860	14.5	3260	11.0	2470				14.5	3260
		2100	34	291	2562	1.5	60.97	6.8	1860	14.5	3260	11.0	2470				14.5	3260
		2100	38	266	2345	1.7	55.80	9.7	1890	14.5	3260	11.0	2470				14.5	3260
		2100	38	266	2345	1.7	55.80	7.0	1890	14.5	3260	11.0	2470				14.5	3260
		2100	42	237	2084	1.9	49.60	9.8	1920	14.5	3260	11.0	2470				14.5	3260
		2100	42	237	2084	1.9	49.60	7.1	1920	14.5	3260	11.0	2470				14.5	3260
		2100	44	229	2015	2.0	47.95	9.9	1930	14.5	3260	11.0	2470				14.5	3260
		2100	44	229	2015	2.0	47.95	7.2	1930	14.5	3260	11.0	2470				14.5	3260
		2100	48	207	1824	2.2	43.40	9.9	1950	14.5	3260	11.0	2470				14.5	3260
		2100	48	207	1824	2.2	43.40	7.3	1950	14.5	3260	11.0	2470				14.5	3260
		2100	50	201	1772	2.2	42.18	9.9	1960	14.5	3260	11.0	2470				14.5	3260
		2100	50	201	1772	2.2	42.18	7.3	1960	14.5	3260	11.0	2470				14.5	3260
		2100	55	182	1598	2.5	38.02	10.0	1970	14.5	3260	11.0	2470				14.5	3260
		2100	55	182	1598	2.5	38.02	7.4	1970	14.5	3260	11.0	2470				14.5	3260
2100	60	166	1462	2.6	34.80	10.0	1980	14.5	3260	11.0	2470	14.5	3260					
2100	60	166	1462	2.6	34.80	7.5	1980	14.5	3260	11.0	2470	14.5	3260					



P ₁		n ₁	n ₂	M ₂		f _B	i _{tot}	F _R /F _A				F _{RVL} /F _{AVL}				Model type	📦						
[kW]	[hp]			[Nm]	[lb-in]			F _R	F _A	F _{RVL}	F _{AVL}	[kN]	[lb]	[kN]	[lb]		[kN]	[lb]	[kg]	[lb]			
1.05	1.40	2100	68	148	1300	3.0	30.93	10.0	1990	14.5	3260	11.0	2470	14.5	3260	SK 573.1 - 71 N3/8	22	48.5					
		2100	68	148	1300	3.0	30.93	7.5	1990	14.5	3260	11.0	2470	14.5	3260								
		2100	78	128	1125	3.4	26.77	10.1	2010	14.5	3260	11.0	2470	14.5	3260								
		2100	78	128	1125	3.4	26.77	7.6	2010	14.5	3260	11.0	2470	14.5	3260								
		2100	88	114	1000	3.8	23.79	9.9	2010	14.5	3260	11.0	2470	14.5	3260								
		2100	88	114	1000	3.8	23.79	7.6	2010	14.5	3260	11.0	2470	14.5	3260								
		2100	99	102	896	4.2	21.32	9.7	2020	14.5	3260	11.0	2470	14.5	3260								
		2100	99	102	896	4.2	21.32	7.7	2020	14.5	3260	11.0	2470	14.5	3260								
		2100	109	91.8	808	4.7	19.22	9.5	2020	14.5	3260	11.0	2470	14.5	3260								
		2100	109	91.8	808	4.7	19.22	7.7	2020	14.5	3260	11.0	2470	14.5	3260								
2100	39	260	2286	1.4	54.41	9.8	1900	15.0	3370	11.0	2470	15.0	3370	SK 572.1 - 71 N3/8	21.5	47.4							
		2100	39	260	2286	1.4	54.41	7.0	1900	15.0	3370	11.0	2470				15.0	3370					
		2100	46	219	1923	1.5	45.77	9.9	1940	15.0	3370	11.0	2470				15.0	3370					
		2100	46	219	1923	1.5	45.77	7.2	1940	15.0	3370	11.0	2470				15.0	3370					
		2100	50	202	1781	1.8	42.38	9.9	1950	15.0	3370	11.0	2470				15.0	3370					
		2100	50	202	1781	1.8	42.38	7.3	1950	15.0	3370	11.0	2470				15.0	3370					
		2100	59	170	1498	2.2	35.65	10.0	1980	15.0	3370	11.0	2470				15.0	3370					
		2100	59	170	1498	2.2	35.65	7.5	1980	15.0	3370	11.0	2470				15.0	3370					
		2100	73	138	1215	2.8	28.91	10.1	2000	15.0	3370	11.0	2470				15.0	3370					
		2100	73	138	1215	2.8	28.91	7.6	2000	15.0	3370	11.0	2470				15.0	3370					
		2100	78	129	1134	3.1	27.00	10.1	2010	15.0	3370	11.0	2470				15.0	3370					
		2100	78	129	1134	3.1	27.00	7.6	2010	15.0	3370	11.0	2470				15.0	3370					
		2100	107	93.4	822	4.3	19.57	9.7	2020	15.0	3370	11.0	2470				15.0	3370					
		2100	107	93.4	822	4.3	19.57	7.7	2020	15.0	3370	11.0	2470				15.0	3370					
2100	39	258	2269	0.8	54.00	3.0	680	10.2	2290	7.0	1660	10.2	2290	SK 373.1 - 71 N3/8	14.5	32.0							
		2100	45	225	1977	0.9	47.05	3.5	780	10.2	2290	7.3	1720				10.2	2290					
		2100	49	203	1784	1.0	42.46	3.6	820	10.2	2290	7.4	1760				10.2	2290					
		2100	56	178	1564	1.1	37.23	3.9	880	10.2	2290	7.6	1790				10.2	2290					
		2100	63	159	1395	1.3	33.20	4.3	970	10.2	2290	7.7	1800				10.2	2290					
		2100	71	142	1251	1.5	29.77	4.3	980	10.2	2290	7.8	1800				10.2	2290					
		2100	81	124	1090	1.7	25.94	4.5	1010	10.2	2290	7.8	1790				10.2	2290					
		2100	90	112	984	1.9	23.41	4.5	1010	10.2	2290	7.7	1740				10.2	2290					
		2100	92	109	955	1.9	22.74	4.6	1030	10.2	2290	7.7	1720				10.2	2290					
		2100	102	98.0	862	2.1	20.52	4.5	1020	10.2	2290	7.4	1670				10.2	2290					
		2100	113	88.9	783	2.1	18.63	4.5	1010	10.2	2290	7.2	1630				10.2	2290					
		2100	49	207	1818	0.8	43.26	4.0	910	10.2	2290	7.4	1750				10.2	2290	SK 372.1 - 71 N3/8	14.0	30.9		
				2100	55	182	1602	1.0	38.12	4.2	940	10.2	2290				7.5	1780				10.2	2290
				2100	62	162	1422	1.2	33.84	4.3	980	10.2	2290				7.7	1800				10.2	2290
2100	70			144	1265	1.3	30.11	4.4	990	10.2	2290	7.8	1800	10.2	2290								
2100	81			123	1086	1.5	25.85	4.6	1040	10.2	2290	7.8	1790	10.2	2290								
2100	91			110	966	1.8	23.00	4.6	1040	10.2	2290	7.7	1730	10.2	2290								
2100	102			98.5	867	1.9	20.62	4.6	1030	10.2	2290	7.5	1680	10.2	2290								
2100	114			87.9	773	2.3	18.40	4.7	1050	10.2	2290	7.2	1630	10.2	2290								
2100	127			78.8	693	2.4	16.50	4.6	1040	10.2	2290	7.0	1580	10.2	2290								

1.05 kW / 1.40 hp
1.10 kW / 1.50 hp

TENV



NORDBLOC.1®
Helical in-line gear units

P_1		n_1 n_2		M_2		f_B	i_{tot}	F_R / F_A				F_{RVL} / F_{AVL}				Model type	📦					
[kW]	[hp]	[rpm]	[rpm]	[Nm]	[lb-in]			F_R	F_A		F_{RVL}	F_{AVL}			[kg]	[lb]						
								[kN]	[lb]	[kN]	[lb]	[kN]	[lb]	[kN]	[lb]							
1.05	1.40	2100	144	69.6	612	2.7	14.57	4.7	1050	10.2	2290	6.8	1520	10.2	2290	SK 372.1 - 71 N3/8	14	30.9				
		2100	162	61.9	545	3.2	12.96	4.6	1030	10.2	2290	6.5	1470	10.2	2290							
		2100	182	55.2	485	3.4	11.55	4.5	1020	10.2	2290	6.3	1420	10.2	2290							
		2100	204	49.1	432	3.9	10.28	4.5	1000	10.2	2290	6.1	1370	10.2	2290							
		2100	223	44.9	395	4.2	9.40	4.4	990	10.2	2290	5.9	1340	10.2	2290							
		2100	255	39.3	346	4.6	8.22	4.3	970	10.2	2290	5.7	1280	10.2	2290							
		2100	290	34.5	304	4.9	7.23	4.2	950	10.0	2260	5.5	1230	10.0	2260							
		2100	85	118	1042	0.8	24.80	2.8	510	3.9	880									SK 172.1 - 71 N3/8	11.1	24.5
		2100	94	107	942	0.9	22.42	2.8	630	3.9	880											
		2100	103	97.3	856	0.9	20.37	2.8	630	3.9	880											
		2100	113	88.8	782	0.9	18.60	2.8	630	3.9	880											
		2100	133	75.2	662	1.1	15.76	2.8	630	3.9	880											
		2100	155	64.7	569	1.3	13.54	2.8	630	3.9	880											
		2100	174	57.6	507	1.5	12.06	2.8	630	3.9	880											
		2100	184	54.4	479	1.6	11.39	2.8	630	3.9	880											
		2100	194	51.7	455	1.7	10.83	2.8	630	3.9	880											
		2100	214	46.8	411	1.8	9.79	2.8	630	3.9	880											
		2100	241	41.7	367	2.1	8.72	2.8	630	3.9	880											
		2100	268	37.4	329	2.2	7.83	2.8	630	3.9	880											
		2100	297	33.8	297	2.4	7.08	2.8	630	3.9	880											
2100	326	30.7	270	2.7	6.43	2.8	630	3.9	880													
2100	364	27.5	242	2.8	5.77	2.8	630	3.9	880													
2100	409	24.5	216	3.4	5.14	2.8	630	3.9	880													
2100	455	22.0	194	3.3	4.62	2.8	630	3.9	880													
2100	503	19.9	175	3.3	4.17	2.8	630	3.9	880													
2100	554	18.1	159	3.3	3.79	2.8	630	3.9	880													
2100	607	16.5	145	3.3	3.46	2.8	630	3.9	870													
2100	652	15.4	135	3.5	3.22	2.8	630	3.8	850													
2100	720	13.9	123	3.6	2.92	2.8	630	3.6	810													
2100	773	13.0	114	3.5	2.72	2.7	610	3.5	780													
2100	843	11.9	105	3.6	2.49	2.7	600	3.4	750													
2100	906	11.1	97.4	3.9	2.32	2.6	580	3.3	730													
1.10	1.50	2100	14	735	6612	0.9	146.88	6.6	1580	20.0	4500	12.9	2860	20.0	4500	SK 673.1 - 90 N1/8	31.0	68.3				
		2100	16	673	6061	1.0	134.64	8.0	1750	20.0	4500	13.3	2960	20.0	4500							
		2100	38	276	2482	2.3	55.12	10.6	2370	20.0	4500	15.0	3370	20.0	4500							
		2100	42	248	2228	2.6	49.50	10.7	2390	20.0	4500	15.0	3370	20.0	4500							
		2100	47	224	2019	2.9	44.85	10.8	2410	20.0	4500	15.0	3370	20.0	4500							
		2100	51	208	1870	3.1	41.54	10.8	2420	20.0	4500	15.0	3370	20.0	4500							
		2100	56	186	1676	3.4	37.23	10.9	2430	20.0	4500	15.0	3370	20.0	4500							
		2100	62	171	1536	3.5	34.12	10.9	2440	20.0	4500	15.0	3370	20.0	4500							
		2100	68	155	1392	3.4	30.92	10.9	2450	20.0	4500	15.0	3370	20.0	4500							
		2100	76	138	1243	3.8	27.61	11.0	2450	20.0	4500	15.0	3370	20.0	4500							
		2100	83	126	1134	4.0	25.19	11.0	2460	20.0	4500	15.0	3370	20.0	4500							
		2100	92	114	1027	3.9	22.82	11.0	2460	20.0	4500	15.0	3370	20.0	4500							




P ₁		n ₁	n ₂	M ₂		f _B	i _{tot}	F _R /F _A				F _{RVL} /F _{AVL}				Model type	📦	
[kW]	[hp]			[Nm]	[lb-in]			[kN]	[lb]	[kN]	[lb]	[kN]	[lb]	[kN]	[lb]		[kN]	[lb]
1.10	1.50	2100	59	179	1609	3.1	35.75	10.9	2440	20.0	4500	15.0	3370	20.0	4500	SK 672.1 - 90 N1/8	30.0	66.1
		2100	72	145	1309	3.8	29.08	11.0	2450	20.0	4500	15.0	3370	20.0	4500			
		2100	19	546	4912	0.8	109.12	6.0	1260	14.5	3260	11.0	2300	14.5	3260	SK 573.1 - 90 N1/8	25.0	55.1
		2100	19	546	4912	0.8	109.12	0.0	1260	14.5	3260	11.0	2300	14.5	3260			
		2100	25	426	3835	1.1	85.18	7.9	1610	14.5	3260	11.0	2470	14.5	3260			
		2100	25	426	3835	1.1	85.18	5.5	1610	14.5	3260	11.0	2470	14.5	3260			
		2100	34	305	2745	1.5	60.97	9.6	1830	14.5	3260	11.0	2470	14.5	3260			
		2100	34	305	2745	1.5	60.97	6.7	1830	14.5	3260	11.0	2470	14.5	3260			
		2100	38	279	2512	1.6	55.80	9.7	1870	14.5	3260	11.0	2470	14.5	3260			
		2100	38	279	2512	1.6	55.80	6.9	1870	14.5	3260	11.0	2470	14.5	3260			
		2100	42	248	2233	1.8	49.60	9.8	1900	14.5	3260	11.0	2470	14.5	3260			
		2100	42	248	2233	1.8	49.60	7.1	1900	14.5	3260	11.0	2470	14.5	3260			
		2100	48	217	1954	2.1	43.40	9.9	1940	14.5	3260	11.0	2470	14.5	3260			
		2100	48	217	1954	2.1	43.40	7.2	1940	14.5	3260	11.0	2470	14.5	3260			
		2100	55	190	1712	2.4	38.02	10.0	1960	14.5	3260	11.0	2470	14.5	3260			
		2100	55	190	1712	2.4	38.02	7.4	1960	14.5	3260	11.0	2470	14.5	3260			
		2100	60	174	1567	2.5	34.80	10.0	1970	14.5	3260	11.0	2470	14.5	3260			
		2100	60	174	1567	2.5	34.80	7.4	1970	14.5	3260	11.0	2470	14.5	3260			
		2100	68	155	1393	2.8	30.93	10.0	1990	14.5	3260	11.0	2470	14.5	3260			
		2100	68	155	1393	2.8	30.93	7.5	1990	14.5	3260	11.0	2470	14.5	3260			
		2100	78	134	1205	3.2	26.77	10.0	2000	14.5	3260	11.0	2470	14.5	3260			
		2100	78	134	1205	3.2	26.77	7.6	2000	14.5	3260	11.0	2470	14.5	3260			
		2100	88	119	1071	3.6	23.79	9.8	2010	14.5	3260	11.0	2470	14.5	3260			
		2100	88	119	1071	3.6	23.79	7.6	2010	14.5	3260	11.0	2470	14.5	3260			
		2100	99	107	960	4.0	21.32	9.6	2020	14.5	3260	11.0	2470	14.5	3260			
		2100	99	107	960	4.0	21.32	7.6	2020	14.5	3260	11.0	2470	14.5	3260			
		2100	109	96.1	865	4.5	19.22	9.4	2020	14.5	3260	11.0	2470	14.5	3260			
		2100	109	96.1	865	4.5	19.22	7.7	2020	14.5	3260	11.0	2470	14.5	3260			
		2100	121	87.1	784	4.9	17.42	9.1	2020	14.5	3260	11.0	2470	14.5	3260			
		2100	121	87.1	784	4.9	17.42	7.7	2020	14.5	3260	11.0	2470	14.5	3260			
		2100	67	156	1408	2.4	31.28	10.0	1990	15.0	3370	11.0	2470	15.0	3370	SK 572.1 - 90 N1/8	24.5	54.0
		2100	67	156	1408	2.4	31.28	7.5	1990	15.0	3370	11.0	2470	15.0	3370			
		2100	73	145	1301	2.6	28.91	10.0	1990	15.0	3370	11.0	2470	15.0	3370			
		2100	73	145	1301	2.6	28.91	7.5	1990	15.0	3370	11.0	2470	15.0	3370			
		2100	78	135	1215	3.0	27.00	10.1	2000	15.0	3370	11.0	2470	15.0	3370			
		2100	78	135	1215	3.0	27.00	7.6	2000	15.0	3370	11.0	2470	15.0	3370			
		2100	85	123	1106	3.5	24.58	9.9	2010	15.0	3370	11.0	2470	15.0	3370			
		2100	85	123	1106	3.5	24.58	7.6	2010	15.0	3370	11.0	2470	15.0	3370			
		2100	96	109	983	3.8	21.85	9.7	2010	15.0	3370	11.0	2470	15.0	3370			
		2100	96	109	983	3.8	21.85	7.6	2010	15.0	3370	11.0	2470	15.0	3370			
		2100	107	97.9	881	4.1	19.57	9.6	2020	15.0	3370	11.0	2470	15.0	3370			
		2100	107	97.9	881	4.1	19.57	7.7	2020	15.0	3370	11.0	2470	15.0	3370			
		2100	128	82.3	741	4.9	16.46	9.3	2030	15.0	3370	11.0	2470	15.0	3370			
		2100	128	82.3	741	4.9	16.46	7.7	2030	15.0	3370	11.0	2470	15.0	3370			

1.10 kW / 1.50 hp
1.50 kW / 2.00 hp

TENV



NORDBLOC.1®
Helical in-line gear units

P ₁		n ₁	n ₂	M ₂		f _B	i _{tot}	F _R /F _A				F _{RVL} /F _{AVL}				Model type	 [kg] [lb]				
								F _R		F _A		F _{RVL}		F _{AVL}							
[kW]	[hp]	[rpm]	[rpm]	[Nm]	[lb-in]			[kN]	[lb]	[kN]	[lb]	[kN]	[lb]	[kN]	[lb]						
1.10	1.50	2100	56	186	1676	1.1	37.23	3.7	800	10.2	2290	7.5	1770	10.2	2290	SK 373.1 - 90 N1/8	17.5	38.6			
		2100	92	114	1024	1.8	22.74	4.4	980	10.2	2290	7.6	1710	10.2	2290						
		2100	102	103	924	2	20.52	4.4	980	10.2	2290	7.4	1660	10.2	2290						
		2100	113	93.2	838	2	18.63	4.4	970	10.2	2290	7.2	1620	10.2	2290						
	2100	1.14	114	92.0	828	2.2	18.4	4.5	1010	10.2	2290	7.2	1620	10.2	2290	SK 372.1 - 90 N1/8	17.0	37.5			
			127	82.5	743	2.3	16.5	4.5	1000	10.2	2290	7.0	1570	10.2	2290						
			182	57.8	520	3.3	11.55	4.5	1000	10.2	2290	6.3	1420	10.2	2290						
			204	51.4	463	3.7	10.28	4.4	980	10.2	2290	6.1	1370	10.2	2290						
			223	47.0	423	4.0	9.4	4.4	980	10.2	2290	5.9	1330	10.2	2290						
			255	41.1	370	4.4	8.22	4.3	960	10.2	2290	5.7	1280	10.2	2290						
			290	36.2	326	4.7	7.23	4.2	930	10.0	2250	5.5	1230	10.0	2250						
			305	34.5	310	4.9	6.89	4.2	930	9.9	2220	5.4	1210	9.9	2220						
		319	32.9	296	4.9	6.58	4.1	930	9.7	2190	5.3	1200	9.7	2190							
		2100	1.184	184	57.0	513	1.5	11.39	2.8	630	3.9	880					SK 172.1 - 90 N1/8	14.1	31.1		
				214	49.0	441	1.7	9.79	2.8	630	3.9	880									
				241	43.6	393	2.0	8.72	2.8	630	3.9	880									
				268	39.2	353	2.1	7.83	2.8	630	3.9	880									
				297	35.4	319	2.3	7.08	2.8	630	3.9	880									
				326	32.2	290	2.5	6.43	2.8	630	3.9	880									
				364	28.9	260	2.7	5.77	2.8	630	3.9	880									
409	25.7			231	3.2	5.14	2.8	630	3.9	880											
455	23.1			208	3.1	4.62	2.8	630	3.9	880											
503	20.9			188	3.1	4.17	2.8	630	3.9	880											
554	19.0			171	3.1	3.79	2.8	630	3.9	880											
607	17.3			156	3.1	3.46	2.8	630	3.9	870											
652	16.1	145	3.4	3.22	2.8	630	3.7	840													
720	14.6	131	3.4	2.92	2.8	620	3.6	800													
773	13.6	122	3.4	2.72	2.7	610	3.5	780													
843	12.5	112	3.5	2.49	2.6	590	3.3	750													
906	11.6	104	3.7	2.32	2.6	580	3.2	730													
1.50	2.00	2100	38	376	3309	1.7	55.12	10.2	2290	20.0	4500	14.8	3310	20.0	4500	SK 673.1 - 90 N2/8	31.8	70.1			
		2100	42	338	2971	1.9	49.5	10.4	2330	20.0	4500	14.9	3330	20.0	4500						
		2100	47	306	2692	2.1	44.85	10.5	2350	20.0	4500	15.0	3350	20.0	4500						
		2100	51	283	2493	2.3	41.54	10.6	2370	20.0	4500	15.0	3360	20.0	4500						
		2100	56	254	2235	2.5	37.23	10.7	2390	20.0	4500	15.0	3370	20.0	4500						
		2100	62	233	2048	2.6	34.12	10.8	2410	20.0	4500	15.0	3370	20.0	4500						
		2100	68	211	1856	2.5	30.92	10.8	2420	20.0	4500	15.0	3370	20.0	4500						
		2100	76	188	1657	2.8	27.61	10.9	2430	20.0	4500	15.0	3370	20.0	4500						
		2100	83	172	1512	2.9	25.19	10.9	2440	20.0	4500	15.0	3370	20.0	4500						
		2100	92	156	1370	2.9	22.82	10.9	2450	20.0	4500	15.0	3370	20.0	4500						
		2100	59	244	2146	2.3	35.75	10.7	2400	20.0	4500	15.0	3370	20.0	4500				SK 672.1 - 90 N2/8	30.8	67.9
		2100	72	198	1745	2.8	29.08	10.8	2430	20.0	4500	15.0	3370	20.0	4500						
		2100	102	141	1238	4.3	20.62	11.0	2450	20.0	4500	15.0	3370	20.0	4500						
		2100	114	126	1105	4.9	18.41	11.0	2460	20.0	4500	15.0	3370	20.0	4500						




P ₁		n ₁	n ₂	M ₂		f _B	i _{tot}	F _R /F _A				F _{RVL} /F _{AVL}				Model type	📦						
[kW]	[hp]			[Nm]	[lb-in]			[kN]	[lb]	[kN]	[lb]	[kN]	[lb]	[kN]	[lb]		[kN]	[lb]	[kg]	[lb]			
1.50	2.00	2100	25	581	5113	0.8	85.18	5.5	1170	14.5	3260	11.0	2250	14.5	3260	SK 573.1 - 90 N2/8	25.8	56.9					
		2100	25	581	5113	0.8	85.18	0.0	1170	14.5	3260	11.0	2250	14.5	3260								
		2100	34	416	3659	1.1	60.97	7.9	1650	14.5	3260	11.0	2470	14.5	3260								
		2100	34	416	3659	1.1	60.97	5.6	1650	14.5	3260	11.0	2470	14.5	3260								
		2100	38	381	3349	1.2	55.80	8.4	1720	14.5	3260	11.0	2470	14.5	3260								
		2100	38	381	3349	1.2	55.80	6.0	1720	14.5	3260	11.0	2470	14.5	3260								
		2100	42	338	2977	1.3	49.60	8.5	1790	14.5	3260	11.0	2470	14.5	3260								
		2100	42	338	2977	1.3	49.60	6.4	1790	14.5	3260	11.0	2470	14.5	3260								
		2100	48	296	2605	1.5	43.40	8.7	1850	14.5	3260	11.0	2470	14.5	3260								
		2100	48	296	2605	1.5	43.40	6.8	1850	14.5	3260	11.0	2470	14.5	3260								
		2100	55	259	2282	1.7	38.02	8.9	1900	14.5	3260	11.0	2470	14.5	3260								
		2100	55	259	2282	1.7	38.02	7.0	1900	14.5	3260	11.0	2470	14.5	3260								
		2100	60	237	2089	1.9	34.80	9.0	1920	14.5	3260	11.0	2470	14.5	3260								
		2100	60	237	2089	1.9	34.80	7.1	1920	14.5	3260	11.0	2470	14.5	3260								
		2100	68	211	1857	2.1	30.93	8.9	1950	14.5	3260	11.0	2470	14.5	3260								
		2100	68	211	1857	2.1	30.93	7.3	1950	14.5	3260	11.0	2470	14.5	3260								
		2100	78	183	1607	2.4	26.77	9.0	1970	14.5	3260	11.0	2470	14.5	3260								
		2100	78	183	1607	2.4	26.77	7.4	1970	14.5	3260	11.0	2470	14.5	3260								
		2100	88	162	1428	2.6	23.79	8.9	1990	14.5	3260	11.0	2470	14.5	3260								
		2100	88	162	1428	2.6	23.79	7.5	1990	14.5	3260	11.0	2470	14.5	3260								
		2100	99	145	1279	3.0	21.32	8.7	2000	14.5	3260	11.0	2470	14.5	3260								
		2100	99	145	1279	3.0	21.32	7.5	2000	14.5	3260	11.0	2470	14.5	3260								
		2100	109	131	1154	3.3	19.22	8.6	2000	14.5	3260	11.0	2470	14.5	3260								
		2100	109	131	1154	3.3	19.22	7.6	2000	14.5	3260	11.0	2470	14.5	3260								
		2100	121	119	1046	3.6	17.42	8.4	2010	14.5	3260	11.0	2470	14.5	3260								
		2100	121	119	1046	3.6	17.42	7.6	2010	14.5	3260	11.0	2470	14.5	3260								
				2100	67	213	1878	1.7	31.28	9.2	1950	15.0	3370	11.0	2470				15.0	3370	SK 572.1 - 90 N2/8	25.3	55.8
				2100	67	213	1878	1.7	31.28	7.3	1950	15.0	3370	11.0	2470				15.0	3370			
				2100	73	197	1735	1.9	28.91	9.1	1960	15.0	3370	11.0	2470				15.0	3370			
				2100	73	197	1735	1.9	28.91	7.3	1960	15.0	3370	11.0	2470				15.0	3370			
		2100	78	184	1621	2.2	27.00	9.0	1970	15.0	3370	11.0	2470	15.0	3370								
		2100	78	184	1621	2.2	27.00	7.4	1970	15.0	3370	11.0	2470	15.0	3370								
		2100	85	168	1475	2.6	24.58	9.0	1980	15.0	3370	11.0	2470	15.0	3370								
		2100	85	168	1475	2.6	24.58	7.5	1980	15.0	3370	11.0	2470	15.0	3370								
		2100	96	149	1311	2.8	21.85	8.8	1990	15.0	3370	11.0	2470	15.0	3370								
		2100	96	149	1311	2.8	21.85	7.5	1990	15.0	3370	11.0	2470	15.0	3370								
		2100	107	133	1175	3.0	19.57	8.9	2000	15.0	3370	11.0	2470	15.0	3370								
		2100	107	133	1175	3.0	19.57	7.6	2000	15.0	3370	11.0	2470	15.0	3370								
		2100	128	112	988	3.6	16.46	8.6	2010	15.0	3370	11.0	2470	15.0	3370								
		2100	128	112	988	3.6	16.46	7.6	2010	15.0	3370	11.0	2470	15.0	3370								
		2100	137	105	923	4.1	15.38	8.5	2020	15.0	3370	11.0	2470	15.0	3370								
		2100	137	105	923	4.1	15.38	7.7	2020	15.0	3370	11.0	2470	15.0	3370								
		2100	154	93.2	820	4.4	13.67	8.3	2020	15.0	3370	11.0	2470	15.0	3370								
		2100	154	93.2	820	4.4	13.67	7.7	2020	15.0	3370	11.0	2470	15.0	3370								
		2100	166	86.5	761	5.0	12.68	8.2	2000	15.0	3370	11.0	2470	15.0	3370								
		2100	166	86.5	761	5.0	12.68	7.7	2000	15.0	3370	11.0	2470	15.0	3370								

1.50 kW / 2.00 hp


TENV



NORDBLOC.1®
Helical in-line gear units

P ₁		n ₁	n ₂	M ₂		f _B	i _{tot}	F _R / F _A				F _{RVL} / F _{AVL}				Model type	 [kg] [lb]	
								F _R		F _A		F _{RVL}		F _{AVL}				
[kW]	[hp]	[rpm]	[rpm]	[Nm]	[lb-in]			[kN]	[lb]	[kN]	[lb]	[kN]	[lb]	[kN]	[lb]			
1.50	2.00	2100	56	254	2235	0.8	37.23	1.8	410	10.2	2290	7.0	1670	10.2	2290	SK 373.1 - 90 N2/8	18.3	40.3
		2100	92	155	1365	1.4	22.74	3.3	740	10.2	2290	7.4	1660	10.2	2290			
		2100	102	140	1232	1.5	20.52	3.4	760	10.2	2290	7.2	1610	10.2	2290			
		2100	113	127	1118	1.5	18.63	3.4	770	10.2	2290	7.0	1570	10.2	2290			
		2100	114	126	1104	1.6	18.40	3.6	820	10.2	2290	7.0	1580	10.2	2290	SK 372.1 - 90 N2/8	17.8	39.2
		2100	127	113	990	1.7	16.50	3.7	830	10.2	2290	6.8	1530	10.2	2290			
		2100	182	78.8	694	2.4	11.55	3.9	890	10.2	2290	6.2	1390	10.2	2290			
		2100	204	70.1	617	2.7	10.28	3.9	880	10.2	2290	6.0	1340	10.2	2290			
		2100	223	64.1	564	3.0	9.40	3.9	880	10.2	2290	5.8	1310	10.2	2290			
		2100	255	56.1	494	3.2	8.22	3.9	870	10.2	2290	5.6	1260	10.2	2290			
		2100	290	49.3	434	3.4	7.23	3.8	860	9.9	2220	5.4	1210	9.9	2220			
		2100	305	47.0	413	3.6	6.89	3.8	860	9.7	2190	5.3	1200	9.7	2190			
		2100	319	44.9	395	3.6	6.58	3.8	860	9.6	2160	5.3	1180	9.6	2160			
		2100	353	40.6	357	3.9	5.95	3.8	850	9.3	2090	5.1	1150	9.3	2090			
		2100	401	35.8	315	4.5	5.24	3.7	830	9.0	2010	4.9	1100	9.0	2010			
		2100	450	31.8	280	4.4	4.66	3.6	800	8.6	1940	4.7	1060	8.6	1940			
		2100	502	28.5	251	4.6	4.18	3.5	790	8.3	1870	4.6	1030	8.3	1870			
		2100	556	25.8	227	4.7	3.78	3.4	770	7.9	1780	4.4	990	7.9	1780			
		2100	613	23.4	206	4.7	3.43	3.3	750	7.5	1690	4.3	960	7.5	1690			
		2100	672	21.3	187	4.7	3.12	3.3	730	7.2	1620	4.2	940	7.2	1620			
		2100	735	19.5	172	4.6	2.86	3.2	720	6.9	1550	4.1	910	6.9	1550			
		2100	800	17.9	158	5.0	2.62	3.1	700	6.6	1490	3.9	890	6.6	1490			
		2100	184	77.7	684	1.1	11.39	2.8	630	3.9	880				SK 172.1 - 90 N2/8	14.9	32.8	
		2100	214	66.8	588	1.3	9.79	2.8	630	3.9	880							
		2100	241	59.5	524	1.5	8.72	2.8	630	3.9	880							
		2100	268	53.4	470	1.5	7.83	2.8	630	3.9	880							
		2100	297	48.3	425	1.7	7.08	2.8	630	3.9	880							
		2100	326	43.9	386	1.9	6.43	2.8	630	3.9	880							
		2100	364	39.4	346	2.0	5.77	2.8	630	3.9	880							
		2100	409	35.1	309	2.4	5.14	2.8	630	3.9	880							
		2100	455	31.5	277	2.3	4.62	2.8	630	3.9	880							
		2100	503	28.5	250	2.3	4.17	2.8	630	3.9	880							
		2100	554	25.9	228	2.3	3.79	2.8	630	3.9	870							
		2100	607	23.6	208	2.3	3.46	2.8	630	3.7	840							
		2100	652	22.0	193	2.5	3.22	2.8	630	3.6	810							
		2100	720	19.9	175	2.5	2.92	2.7	610	3.5	780							
		2100	773	18.5	163	2.5	2.72	2.7	600	3.4	760							
		2100	843	17.0	149	2.5	2.49	2.6	580	3.2	730							
		2100	906	15.8	139	2.7	2.32	2.5	570	3.1	710							



P_1		n_1	n_2	M_2		f_B	i_{tot}	F_R / F_A				F_{RVL} / F_{AVL}				Model type	 [kg] [lb]	
[kW]	[hp]							[Nm]	[lb-in]	F_R	F_A	F_{RVL}	F_{AVL}	[kN]	[lb]			
2.20	3.00	2100	38	551	4963	1.2	55.12	9.1	2020	20.0	4500	14.0	3130	20.0	4500	SK 673.1 - 90 N3/8	34.2	75.4
		2100	42	495	4457	1.3	49.5	9.5	2120	20.0	4500	14.3	3190	20.0	4500			
		2100	47	449	4038	1.4	44.85	9.8	2190	20.0	4500	14.5	3240	20.0	4500			
		2100	51	416	3740	1.5	41.54	10.0	2230	20.0	4500	14.6	3270	20.0	4500			
		2100	56	372	3352	1.7	37.23	10.2	2280	20.0	4500	14.8	3300	20.0	4500			
		2100	62	341	3072	1.8	34.12	10.4	2320	20.0	4500	14.9	3320	20.0	4500			
		2100	68	309	2784	1.7	30.92	10.5	2350	20.0	4500	15.0	3350	20.0	4500			
		2100	76	276	2486	1.9	27.61	10.6	2370	20.0	4500	15.0	3370	20.0	4500			
		2100	83	252	2268	2.0	25.19	10.7	2390	20.0	4500	15.0	3370	20.0	4500			
		2100	92	228	2055	2.0	22.82	10.8	2410	20.0	4500	15.0	3370	20.0	4500			
		2100	59	358	3219	1.5	35.75	10.3	2300	20.0	4500	14.8	3310	20.0	4500	SK 672.1 - 90 N3/8	33.2	73.2
		2100	72	291	2618	1.9	29.08	10.6	2360	20.0	4500	15.0	3360	20.0	4500			
		2100	102	206	1857	3.0	20.62	10.8	2420	20.0	4500	15.0	3370	20.0	4500			
		2100	114	184	1657	3.3	18.41	10.9	2430	20.0	4500	15.0	3370	20.0	4500			
		2100	122	173	1553	3.5	17.25	10.9	2440	20.0	4500	15.0	3370	20.0	4500			
		2100	137	154	1382	4.0	15.35	10.9	2450	20.0	4500	14.7	3300	20.0	4500			
		2100	153	137	1234	4.2	13.70	11.0	2450	20.0	4500	14.2	3180	20.0	4500			
		2100	167	126	1131	4.5	12.56	11.0	2460	20.0	4500	13.8	3100	20.0	4500			
		2100	185	114	1025	5.0	11.38	11.0	2460	20.0	4500	13.4	3000	20.0	4500			
				2100	38	558	5024	0.8	55.80	4.6	1070	14.5	3260	11.0	2280			
2100	38			558	5024	0.8	55.80	0.0	1070	14.5	3260	11.0	2280	14.5	3260			
2100	42			496	4466	0.9	49.60	5.1	1190	14.5	3260	11.0	2400	14.5	3260			
2100	42			496	4466	0.9	49.60	3.5	1190	14.5	3260	11.0	2400	14.5	3260			
2100	48			434	3908	1.0	43.40	5.7	1350	14.5	3260	11.0	2470	14.5	3260			
2100	48			434	3908	1.0	43.40	5.4	1350	14.5	3260	11.0	2470	14.5	3260			
2100	55			380	3423	1.2	38.02	6.2	1480	14.5	3260	11.0	2470	14.5	3260			
2100	55			380	3423	1.2	38.02	6.0	1480	14.5	3260	11.0	2470	14.5	3260			
2100	60			348	3133	1.3	34.80	6.7	1590	14.5	3260	11.0	2470	14.5	3260			
2100	60			348	3133	1.3	34.80	6.3	1590	14.5	3260	11.0	2470	14.5	3260			
2100	68			309	2785	1.4	30.93	6.8	1630	14.5	3260	11.0	2470	14.5	3260			
2100	68			309	2785	1.4	30.93	6.7	1630	14.5	3260	11.0	2470	14.5	3260			
2100	78			268	2410	1.6	26.77	7.2	1730	14.5	3260	11.0	2470	14.5	3260			
2100	78			268	2410	1.6	26.77	7.0	1730	14.5	3260	11.0	2470	14.5	3260			
2100	88			238	2142	1.8	23.79	7.2	1740	14.5	3260	11.0	2470	14.5	3260			
2100	88			238	2142	1.8	23.79	7.1	1740	14.5	3260	11.0	2470	14.5	3260			
2100	99			213	1919	2.0	21.32	7.2	1740	14.5	3260	11.0	2470	14.5	3260			
2100	99			213	1919	2.0	21.32	7.3	1740	14.5	3260	11.0	2470	14.5	3260			
2100	109			192	1730	2.2	19.22	7.2	1730	14.5	3260	11.0	2470	14.5	3260			
2100	109			192	1730	2.2	19.22	7.4	1730	14.5	3260	11.0	2470	14.5	3260			
2100	121	174	1569	2.5	17.42	7.1	1720	14.5	3260	11.0	2470	14.5	3260					
2100	121	174	1569	2.5	17.42	7.4	1720	14.5	3260	11.0	2470	14.5	3260					

2.20 kW / 3.00 hp

TENV



NORDBLOC.1®
Helical in-line gear units

P ₁		n ₁	n ₂	M ₂		f _B	i _{tot}	F _R /F _A				F _{RVL} /F _{AVL}				Model type	📦					
[kW]	[hp]			[Nm]	[lb-in]			F _R	F _A	F _{RVL}	F _{AVL}	[kN]	[lb]	[kN]	[lb]		[kN]	[lb]	[kg]	[lb]		
2.20	3.00	2100	67	313	2816	1.2	31.28	7.2	1730	15.0	3370	11.0	2470	15.0	3370	SK 572.1 - 90 N3/8	27.7	61.1				
		2100	67	313	2816	1.2	31.28	6.6	1730	15.0	3370	11.0	2470	15.0	3370							
		2100	73	289	2603	1.3	28.91	7.2	1740	15.0	3370	11.0	2470	15.0	3370							
		2100	73	289	2603	1.3	28.91	6.8	1740	15.0	3370	11.0	2470	15.0	3370							
		2100	78	270	2431	1.5	27.00	7.2	1730	15.0	3370	11.0	2470	15.0	3370							
		2100	78	270	2431	1.5	27.00	6.9	1730	15.0	3370	11.0	2470	15.0	3370							
		2100	85	246	2213	1.7	24.58	7.3	1760	15.0	3370	11.0	2470	15.0	3370							
		2100	85	246	2213	1.7	24.58	7.1	1760	15.0	3370	11.0	2470	15.0	3370							
		2100	96	219	1967	1.9	21.85	7.3	1760	15.0	3370	11.0	2470	15.0	3370							
		2100	96	219	1967	1.9	21.85	7.2	1760	15.0	3370	11.0	2470	15.0	3370							
		2100	107	196	1762	2.0	19.57	7.6	1840	15.0	3370	11.0	2470	15.0	3370							
		2100	107	196	1762	2.0	19.57	7.3	1840	15.0	3370	11.0	2470	15.0	3370							
		2100	128	165	1482	2.4	16.46	7.6	1830	15.0	3370	11.0	2470	15.0	3370							
		2100	128	165	1482	2.4	16.46	7.5	1830	15.0	3370	11.0	2470	15.0	3370							
		2100	137	154	1384	2.8	15.38	7.4	1800	15.0	3370	11.0	2470	15.0	3370							
		2100	137	154	1384	2.8	15.38	7.5	1800	15.0	3370	11.0	2470	15.0	3370							
		2100	154	137	1230	3.0	13.67	7.3	1770	15.0	3370	11.0	2470	15.0	3370							
		2100	154	137	1230	3.0	13.67	7.6	1770	15.0	3370	11.0	2470	15.0	3370							
		2100	166	127	1142	3.4	12.68	7.4	1780	15.0	3370	11.0	2470	15.0	3370							
		2100	166	127	1142	3.4	12.68	7.6	1780	15.0	3370	11.0	2470	15.0	3370							
		2100	187	113	1013	3.6	11.25	7.3	1760	15.0	3370	10.8	2470	15.0	3370							
		2100	187	113	1013	3.6	11.25	7.6	1760	15.0	3370	10.8	2470	15.0	3370							
		2100	209	100	904	4.0	10.04	7.2	1740	15.0	3370	10.4	2420	15.0	3370							
		2100	209	100	904	4.0	10.04	7.7	1740	15.0	3370	10.4	2420	15.0	3370							
		2100	235	89.3	803	4.1	8.92	7.0	1700	15.0	3370	10.0	2330	15.0	3370							
		2100	235	89.3	803	4.1	8.92	7.6	1700	15.0	3370	10.0	2330	15.0	3370							
		2100	258	81.6	734	4.4	8.15	7.0	1700	15.0	3370	9.8	2270	15.0	3370							
		2100	258	81.6	734	4.4	8.15	7.6	1700	15.0	3370	9.8	2270	15.0	3370							
		2100	280	74.9	674	4.7	7.49	6.9	1680	15.0	3370	9.5	2210	15.0	3370							
		2100	280	74.9	674	4.7	7.49	7.5	1680	15.0	3370	9.5	2210	15.0	3370							
		2100		114	184	1657	1.1	18.40	2.1	450	10.2	2290	6.7	1490	10.2				2290	SK 372.1 - 90 N3/8	20.2	44.5
				127	165	1486	1.2	16.5	2.3	490	10.2	2290	6.5	1450	10.2				2290			
				182	116	1040	1.6	11.55	3.0	660	10.2	2290	6.0	1340	10.2				2290			
204	103			926	1.8	10.28	3.0	670	10.2	2290	5.8	1300	10.2	2290								
223	94.0			846	2.0	9.40	3.1	690	10.2	2290	5.7	1270	10.2	2290								
255	82.3			741	2.2	8.22	3.2	710	9.9	2230	5.5	1220	9.9	2230								
290	72.3			651	2.4	7.23	3.2	720	9.6	2150	5.3	1180	9.6	2150								
305	68.9			620	2.5	6.89	3.3	730	9.5	2130	5.2	1170	9.5	2130								
319	65.8			593	2.4	6.58	3.3	740	9.4	2100	5.1	1150	9.4	2100								
353	59.5			536	2.7	5.95	3.3	730	9.1	2040	5.0	1120	9.1	2040								
2100		401	52.4	472	3.1	5.24	3.2	720	8.8	1970	4.8	1080	8.8	1970	SK 372.1 - 90 N3/8	20.2	44.5					
		450	46.7	420	3.0	4.66	3.2	710	8.5	1900	4.6	1040	8.5	1900								
		502	41.8	377	3.1	4.18	3.1	700	8.1	1820	4.5	1010	8.1	1820								
		556	37.8	340	3.2	3.78	3.1	690	7.7	1730	4.3	980	7.7	1730								
		613	34.3	308	3.2	3.43	3.0	680	7.4	1650	4.2	950	7.4	1650								
		672	31.2	281	3.2	3.12	3.0	660	7.0	1580	4.1	920	7.0	1580								
		735	28.6	257	3.1	2.86	2.9	650	6.8	1520	4.0	900	6.8	1520								
		800	26.3	236	3.4	2.62	2.9	640	6.5	1460	3.9	870	6.5	1460								




P ₁		n ₁	n ₂	M ₂		f _B	i _{tot}	F _R /F _A				F _{RVL} /F _{AVL}				Model type	📦				
[kW]	[hp]			[Nm]	[lb-in]			F _R	F _A	F _{RVL}	F _{AVL}	[kN]	[lb]	[kN]	[lb]		[kN]	[lb]	[kg]	[lb]	
0.50	0.67	2400	6.1	787	6958	1.1	395.46	8.65	1950	9	2020	13.51	3040	25	5620	SK 773.1 - 71 F1/8	38.4	84.7			
		2400	7	679	6003	1.3	341.21	9.76	2200	9	2020	14.12	3180	25	5620						
		2400	7.2	666	5889	1.3	334.7	9.83	2210	9	2020	14.17	3190	25	5620						
		2400	7.8	612	5409	1.4	307.42	10.41	2340	9	2020	14.48	3260	25	5620						
		2400	8.3	575	5081	1.5	288.78	10.7	2410	9	2020	14.65	3290	25	5620						
		2400	9	528	4667	1.6	265.24	11.18	2510	9	2020	14.91	3350	25	5620						
		2400	9.2	518	4578	1.7	260.18	11.22	2520	9	2020	14.94	3360	25	5620						
		2400	9.9	484	4285	1.8	243.53	11.56	2600	9	2020	15.12	3400	25	5620						
		2400	11	447	3950	1.9	224.49	11.84	2660	9	2020	15.28	3440	25	5620						
		2400	12	410	3626	2.1	206.11	12.14	2730	9	2020	15.46	3480	25	5620						
		2400	13	377	3331	2.3	189.31	12.45	2800	9	2020	15.63	3510	25	5620						
		2400	13	355	3141	2.4	178.53	12.62	2840	9	2020	15.72	3530	25	5620						
		2400	15	319	2819	2.7	160.22	12.87	2890	9	2020	15.87	3570	25	5620						
		2400	16	301	2658	2.3	151.1	13.01	2930	9	2020	15.95	3580	25	5620						
		2400	17	276	2442	3.1	138.78	13.22	2970	9	2020	16.06	3610	25	5620						
		2400	20	234	2067	3.7	117.46	12.84	2890	9	2020	16.23	3650	25	5620						
		2400	21	223	1969	3.8	111.92	12.67	2850	9	2020	16.28	3660	25	5620						
		2400	25	192	1699	4.4	96.57	12.14	2730	9	2020	16.4	3690	25	5620						
		2400	26	186	1647	4.6	93.61	12.03	2700	9	2020	16.43	3690	25	5620						
		2400	9.7	494	4367	1.3	248.2	9.54	2130	20	4500	14.3	3200	20	4500				SK 673.1 - 71 F1/8	25.9	57.1
		2400	11	438	3876	1.5	220.32	9.89	2210	20	4500	14.53	3250	20	4500						
		2400	11	436	3853	1.5	219	9.9	2210	20	4500	14.54	3260	20	4500						
		2400	13	362	3200	1.8	181.88	10.28	2300	20	4500	14.8	3310	20	4500						
		2400	15	321	2841	2	161.45	10.45	2340	20	4500	14.92	3340	20	4500						
		2400	16	292	2584	2.2	146.88	10.56	2360	20	4500	15	3360	20	4500						
		2400	17	285	2521	2.2	143.3	10.59	2370	20	4500	15	3360	20	4500						
2400	18	268	2369	2.4	134.64	10.64	2380	20	4500	15	3370	20	4500								
2400	18	260	2297	2.5	130.55	10.67	2390	20	4500	15	3370	20	4500								
2400	19	245	2170	2.6	123.33	10.71	2400	20	4500	15	3370	20	4500								
2400	21	231	2039	2.8	115.89	10.76	2410	20	4500	15	3370	20	4500								
2400	23	206	1821	3.1	103.48	10.82	2420	20	4500	15	3370	20	4500								
2400	25	189	1669	3.4	94.86	10.86	2430	20	4500	15	3370	20	4500								
2400	29	167	1473	3.8	83.7	10.91	2440	20	4500	15	3370	20	4500								
2400	33	146	1296	4.4	73.64	10.95	2450	20	4500	15	3370	20	4500								
2400	36	131	1160	4.9	65.95	10.97	2460	20	4500	15	3370	20	4500								
2400	42	113	997	3.5	56.65	11	2460	20	4500	15	3370	20	4500	SK 672.1 - 71 F1/8	24.9	54.9					
2400	12	400	3539	1.1	201.16	8.24	1680	14.5	3260	11	2470	14.5	3260	SK 573.1 - 71 F1/8	19.9	43.9					
2400	12	400	3539	1.1	201.16	5.8	1680	14.5	3260	11	2470	14.5	3260								
2400	13	355	3142	1.3	178.56	8.87	1760	14.5	3260	11	2470	14.5	3260								
2400	13	355	3142	1.3	178.56	6.27	1760	14.5	3260	11	2470	14.5	3260								
2400	18	271	2400	1.7	136.4	9.72	1880	14.5	3260	11	2470	14.5	3260								
2400	18	271	2400	1.7	136.40	6.93	1880	14.5	3260	11.0	2470	14.5	3260								
2400	19	250	2207	1.8	125.45	9.79	1910	14.5	3260	11.0	2470	14.5	3260								
2400	19	250	2207	1.8	125.45	7.07	1910	14.5	3260	11.0	2470	14.5	3260								
2400	22	222	1959	2.0	111.36	9.87	1940	14.5	3260	11.0	2470	14.5	3260								

0.50 kW / 0.67 hp

TEFC



NORDBLOC.1®
Helical in-line gear units

P ₁		n ₁	n ₂	M ₂		f _B	i _{tot}	F _R /F _A				F _{RVL} /F _{AVL}				Model type	 [kg] [lb]	
								F _R	F _A	F _{RVL}	F _{AVL}	F _{RVL}	F _{AVL}					
[kW]	[hp]	[rpm]	[Nm]	[lb-in]				[kN]	[lb]	[kN]	[lb]	[kN]	[lb]	[kN]	[lb]			
0.50	0.67	2400	22	222	1959	2.0	111.36	7.22	1940	14.5	3260	11.0	2470	14.5	3260	SK 573.1 - 71 F1/8	19.9	43.9
		2400	22	217	1920	2.1	109.12	9.88	1940	14.5	3260	11.0	2470	14.5	3260			
		2400	22	217	1920	2.1	109.12	7.24	1940	14.5	3260	11.0	2470	14.5	3260			
		2400	22	214	1890	2.0	107.42	9.89	1940	14.5	3260	11.0	2470	14.5	3260			
		2400	22	214	1890	2.0	107.42	7.26	1940	14.5	3260	11.0	2470	14.5	3260			
		2400	25	188	1663	2.4	94.50	9.96	1970	14.5	3260	11.0	2470	14.5	3260			
		2400	25	188	1663	2.4	94.50	7.38	1970	14.5	3260	11.0	2470	14.5	3260			
		2400	28	169	1499	2.7	85.18	10.00	1980	14.5	3260	11.0	2470	14.5	3260			
		2400	28	169	1499	2.7	85.18	7.45	1980	14.5	3260	11.0	2470	14.5	3260			
		2400	31	153	1353	2.9	76.88	10.03	1990	14.5	3260	11.0	2470	14.5	3260			
		2400	31	153	1353	2.9	76.88	7.51	1990	14.5	3260	11.0	2470	14.5	3260			
		2400	35	135	1190	3.3	67.64	10.06	2000	14.5	3260	11.0	2470	14.5	3260			
		2400	35	135	1190	3.3	67.64	7.57	2000	14.5	3260	11.0	2470	14.5	3260			
		2400	39	121	1073	3.7	60.97	10.08	2010	14.5	3260	11.0	2470	14.5	3260			
		2400	39	121	1073	3.7	60.97	7.61	2010	14.5	3260	11.0	2470	14.5	3260			
		2400	43	111	982	4.1	55.80	10.09	2010	14.5	3260	11.0	2470	14.5	3260			
		2400	43	111	982	4.1	55.80	7.63	2010	14.5	3260	11.0	2470	14.5	3260			
		2400	48	98.7	873	4.6	49.60	10.11	2020	14.5	3260	11.0	2470	14.5	3260			
		2400	48	98.7	873	4.6	49.60	7.66	2020	14.5	3260	11.0	2470	14.5	3260			
		2400	50	95.4	844	4.7	47.95	10.11	2020	14.5	3260	11.0	2470	14.5	3260			
2400	50	95.4	844	4.7	47.95	7.67	2020	14.5	3260	11.0	2470	14.5	3260					
2400	44	108	957	3.4	54.41	10.1	2020	15	3370	11.0	2470	15	3370	SK 572.1 - 71 F1/8	19.4	42.8		
		108	957	3.4	54.41	7.64	2020	15	3370	11.0	2470	15	3370					
		52	91.1	805	3.5	45.77	10.12	2020	15	3370	11.0	2470	15				3370	
		52	91.1	805	3.5	45.77	7.68	2020	15	3370	11.0	2470	15				3370	
		57	84.3	746	4.4	42.38	10.12	2020	15	3370	11.0	2470	15				3370	
		57	84.3	746	4.4	42.38	7.69	2020	15	3370	11.0	2470	15				3370	
2400	18	260	2303	0.8	130.87	4.09	960	10.2	2290	6.95	1660	10.2	2290	SK 373.1 - 71 F1/8	12.4	27.3		
		32	148	1307	1.4	74.27	5.38	1270	10.2	2290	7.73	1800	10.2				2290	
		37	129	1138	1.6	64.70	5.5	1300	10.2	2290	7.81	1800	10.2				2290	
		40	120	1060	1.7	60.22	5.55	1310	10.2	2290	7.85	1800	10.2				2290	
		44	107	950	2.0	54.00	5.61	1320	10.2	2290	7.89	1800	10.2				2290	
		51	93.6	828	2.2	47.05	5.67	1340	10.2	2290	7.93	1800	10.2				2290	
		57	84.5	747	2.4	42.46	5.71	1340	10.2	2290	7.96	1800	10.2				2290	
		64	74.1	655	2.7	37.23	5.74	1350	10.2	2290	7.99	1800	10.2				2290	
		72	66.0	584	3.0	33.20	5.77	1360	10.2	2290	8.00	1800	10.2				2290	
		81	59.2	524	3.5	29.77	5.79	1360	10.2	2290	8.00	1800	10.2				2290	
		93	51.6	456	4.1	25.94	5.81	1360	10.2	2290	8.00	1800	10.2				2290	
		103	46.6	412	4.5	23.41	5.82	1340	10.2	2290	7.76	1740	10.2				2290	
		106	45.2	400	4.6	22.74	5.82	1340	10.2	2290	7.69	1730	10.2				2290	
		2400	55	86.1	761	2	43.26	5.7	1340	10.2	2290	7.96	1800				10.2	2290
63	75.8			671	2.4	38.12	5.74	1350	10.2	2290	7.98	1800	10.2	2290				
71	67.3			595	2.8	33.84	5.76	1360	10.2	2290	8.00	1800	10.2	2290				
80	59.9			530	3	30.11	5.79	1360	10.2	2290	8.00	1800	10.2	2290				
93	51.4			455	3.7	25.85	5.81	1360	10.2	2290	8.00	1800	10.2	2290				
104	45.8			405	4.4	23	5.82	1340	10.2	2290	7.73	1740	10.2	2290				
116	41			363	4.6	20.62	5.83	1310	10.2	2290	7.46	1680	10.2	2290				



P ₁		n ₁	n ₂	M ₂		f _B	i _{tot}	F _R /F _A				F _{RVL} /F _{AVL}				Model type	📦						
[kW]	[hp]			[Nm]	[lb-in]			[kN]	[lb]	[kN]	[lb]	[kN]	[lb]	[kN]	[lb]		[kN]	[lb]	[kg]	[lb]			
0.50	0.67	2400	87	54.9	486	1.7	27.62	2.8	630	3.9	880					SK 172.1 - 71 F1/8	9.0	19.8					
		2400	97	49.3	436	1.9	24.8	2.8	630	3.9	880												
		2400	107	44.6	394	2.1	22.42	2.8	630	3.9	880												
		2400	118	40.5	358	2.1	20.37	2.8	630	3.9	880												
		2400	129	37	327	2.3	18.6	2.8	630	3.9	880												
		2400	152	31.3	277	2.7	15.76	2.8	630	3.9	880												
		2400	177	26.9	238	3.2	13.54	2.8	630	3.9	880												
		2400	199	24	212	3.6	12.06	2.8	630	3.9	880												
		2400	211	22.7	200	3.7	11.39	2.8	630	3.9	880												
		2400	222	21.6	191	4	10.83	2.8	630	3.9	880												
2400	245	19.5	172	4.4	9.79	2.8	630	3.9	880														
1.00	1.35	2400	9	1055	9403	0.8	265.24	5.47	1210	9	2020	11.81	2650	25	5620	SK 773.1 - 71 F2/8	39.5	87.1					
		2400	9.2	1035	9224	0.8	260.18	5.64	1250	9	2020	11.91	2670	25	5620								
		2400	11	893	7958	1	224.49	7.39	1650	9	2020	12.83	2880	25	5620								
		2400	13	753	6711	1.1	189.31	9.01	2010	9	2020	13.71	3080	25	5620								
		2400	15	638	5680	1.4	160.22	10.11	2260	9	2020	14.32	3210	25	5620								
		2400	17	552	4920	1.5	138.78	10.96	2460	9	2020	14.79	3320	25	5620								
		2400	20	467	4164	1.9	117.46	11.66	2620	9	2020	15.19	3410	25	5620								
		2400	21	445	3968	1.9	111.92	11.86	2660	9	2020	15.31	3440	25	5620								
		2400	25	384	3424	2.2	96.57	11.43	2570	9	2020	15.59	3500	24.35	5470								
		2400	26	372	3319	2.3	93.61	11.35	2550	9	2020	15.64	3510	24.2	5440								
		2400	29	332	2954	2.6	83.32	11.01	2470	9	2020	15.83	3560	23.63	5310								
		2400	30	315	2809	2.8	79.23	10.85	2440	9	2020	15.88	3570	23.32	5240								
		2400	33	286	2549	3	71.89	10.59	2380	9	2020	16.02	3600	22.9	5140								
		2400	35	274	2443	3.1	68.92	10.47	2350	9	2020	16.07	3610	22.69	5100								
		2400	38	252	2248	3.4	63.42	10.24	2300	9	2020	16.16	3630	22.27	5000								
		2400	42	229	2044	3.7	57.64	9.97	2240	9	2020	16.25	3650	21.79	4890								
		2400	47	204	1819	4.2	51.31	9.65	2170	9	2020	16.36	3680	21.2	4760								
		2400	50	189	1688	4.6	47.61	9.44	2120	9	2020	16.41	3690	20.79	4670								
		2400	55	173	1540	5	43.43	9.2	2070	9	2020	16.47	3700	20.33	4570								
		1.00	1.35	2400	13	724	6448	0.9	181.88	6.91	1630	20	4500	12.97	2890				20	4500	SK 673.1 - 71 F2/8	27.0	59.5
				2400	15	642	5724	1	161.45	8.32	1840	20	4500	13.51	3020				20	4500			
				2400	16	584	5207	1.1	146.88	8.85	1970	20	4500	13.85	3090				20	4500			
				2400	17	570	5080	1.1	143.3	8.97	2000	20	4500	13.93	3110				20	4500			
				2400	18	536	4773	1.2	134.64	9.24	2060	20	4500	14.1	3150				20	4500			
				2400	18	519	4628	1.2	130.55	9.36	2090	20	4500	14.18	3170				20	4500			
				2400	19	491	4372	1.3	123.33	9.56	2130	20	4500	14.31	3200				20	4500			
2400	21			461	4108	1.4	115.89	9.75	2180	20	4500	14.44	3230	20	4500								
2400	23			412	3669	1.6	103.48	10.03	2240	20	4500	14.63	3270	20	4500								
2400	25			377	3363	1.7	94.86	10.21	2280	20	4500	14.75	3300	20	4500								
2400	29			333	2967	1.9	83.70	10.40	2330	20	4500	14.89	3330	20	4500								
2400	33			293	2611	2.2	73.64	10.56	2360	20	4500	15.00	3360	20	4500								
2400	36			262	2338	2.4	65.95	10.66	2390	20	4500	15.00	3370	20	4500								
2400	40			241	2143	2.7	60.45	10.73	2400	20	4500	15.00	3370	20	4500								
2400	44	219	1954	2.9	55.12	10.79	2410	20	4500	15.00	3370	20	4500										
2400	48	197	1755	3.2	49.50	10.84	2430	20	4500	15.00	3370	20	4500										

1.00 kW / 1.35 hp


TEFC



NORDBLOC.1®
Helical in-line gear units

P ₁		n ₁	n ₂	M ₂		f _B	i _{tot}	F _R /F _A				F _{RVL} /F _{AVL}				Model type	📦	
[kW]	[hp]			[Nm]	[lb-in]			F _R	F _A	F _{RVL}	F _{AVL}	F _R	F _A	F _{RVL}	F _{AVL}		[kg]	[lb]
1.00	1.35	2400	54	178	1590	3.6	44.85	10.88	2440	20	4500	15.0	3370	20	4500	SK 673.1 - 71 F2/8	27.0	59.5
		2400	58	165	1473	3.9	41.54	10.91	2440	20	4500	15.0	3370	20	4500			
		2400	64	148	1320	4.3	37.23	10.94	2450	20	4500	15.0	3370	20	4500			
		2400	70	136	1210	4.4	34.12	10.96	2460	20	4500	15.0	3370	20	4500			
		2400	78	123	1096	4.3	30.92	10.98	2460	20	4500	15.0	3370	20	4500			
		2400	87	110	979	4.7	27.61	11.00	2460	20	4500	15.0	3370	20	4500			
		2400	95	100	893	5.0	25.19	11.01	2470	20	4500	15.0	3370	20	4500			
		2400	105	90.8	809	5.0	22.82	11.02	2470	20	4500	15.0	3370	20	4500			
2400	42	225	2008	1.8	56.65	10.77	2410	20	4500	15.0	3370	20	4500	SK 672.1 - 71 F2/8	26.0	57.3		
		2400	54	177	1579	2.5	44.55	10.89	2440	20	4500	15.0	3370				20	4500
		2400	67	142	1267	3.9	35.75	10.95	2450	20	4500	15.0	3370				20	4500
		2400	83	116	1031	4.8	29.08	10.99	2460	20	4500	15.0	3370				20	4500
2400	18	543	4836	0.8	136.40	6.05	1290	14.5	3260	11.0	2320	14.5	3260	SK 573.1 - 71 F2/8	21.0	46.3		
		543	4836	0.8	136.40	0	1290	14.5	3260	11.0	2320	14.5	3260					
		499	4447	0.9	125.45	6.75	1430	14.5	3260	11.0	2400	14.5	3260					
		499	4447	0.9	125.45	3.29	1430	14.5	3260	11.0	2400	14.5	3260					
		443	3948	1.0	111.36	7.61	1580	14.5	3260	11.0	2470	14.5	3260					
		443	3948	1.0	111.36	5.26	1580	14.5	3260	11.0	2470	14.5	3260					
		434	3868	1.0	109.12	7.74	1600	14.5	3260	11.0	2470	14.5	3260					
		434	3868	1.0	109.12	5.38	1600	14.5	3260	11.0	2470	14.5	3260					
		427	3808	1.0	107.42	7.92	1620	14.5	3260	11.0	2470	14.5	3260					
		427	3808	1.0	107.42	5.47	1620	14.5	3260	11.0	2470	14.5	3260					
		376	3350	1.2	94.50	8.65	1720	14.5	3260	11.0	2470	14.5	3260					
		376	3350	1.2	94.50	6.07	1720	14.5	3260	11.0	2470	14.5	3260					
		339	3020	1.3	85.18	9.16	1790	14.5	3260	11.0	2470	14.5	3260					
		339	3020	1.3	85.18	6.42	1790	14.5	3260	11.0	2470	14.5	3260					
		306	2726	1.5	76.88	9.54	1840	14.5	3260	11.0	2470	14.5	3260					
		306	2726	1.5	76.88	6.69	1840	14.5	3260	11.0	2470	14.5	3260					
		269	2398	1.7	67.64	9.73	1880	14.5	3260	11.0	2470	14.5	3260					
		269	2398	1.7	67.64	6.95	1880	14.5	3260	11.0	2470	14.5	3260					
		243	2161	1.9	60.97	9.81	1910	14.5	3260	11.0	2470	14.5	3260					
		243	2161	1.9	60.97	7.11	1910	14.5	3260	11.0	2470	14.5	3260					
		222	1978	2.0	55.80	9.87	1930	14.5	3260	11.0	2470	14.5	3260					
		222	1978	2.0	55.80	7.22	1930	14.5	3260	11.0	2470	14.5	3260					
		197	1758	2.3	49.60	9.93	1960	14.5	3260	11.0	2470	14.5	3260					
		197	1758	2.3	49.60	7.34	1960	14.5	3260	11.0	2470	14.5	3260					
		191	1700	2.4	47.95	9.95	1960	14.5	3260	11.0	2470	14.5	3260					
		191	1700	2.4	47.95	7.37	1960	14.5	3260	11.0	2470	14.5	3260					
		173	1539	2.6	43.40	9.99	1980	14.5	3260	11.0	2470	14.5	3260					
		173	1539	2.6	43.40	7.44	1980	14.5	3260	11.0	2470	14.5	3260					
		168	1495	2.7	42.18	10.00	1980	14.5	3260	11.0	2470	14.5	3260					
		168	1495	2.7	42.18	7.46	1980	14.5	3260	11.0	2470	14.5	3260					
		151	1348	3.0	38.02	10.03	1990	14.5	3260	11.0	2470	14.5	3260					
		151	1348	3.0	38.02	7.52	1990	14.5	3260	11.0	2470	14.5	3260					




P_1		n_1	n_2	M_2		f_B	i_{tot}	F_R / F_A				F_{RVL} / F_{AVL}				Model type	 [kg] [lb]						
[kW]	[hp]							[Nm]	[lb-in]	F_R	[lb]	F_A	[kN]	[lb]	F_{RVL}				[kN]	[lb]	F_{AVL}	[kN]	[lb]
1.00	1.35	2400	69	138	1234	3.2	34.8	10.05	2000	14.5	3260	11	2470	14.5	3260	SK 573.1 - 71 F2/8	21.0	46.3					
		2400	69	138	1234	3.2	34.8	7.56	2000	14.5	3260	11	2470	14.5	3260								
		2400	78	123	1097	3.6	30.93	10.08	2010	14.5	3260	11	2470	14.5	3260								
		2400	78	123	1097	3.6	30.93	7.6	2010	14.5	3260	11	2470	14.5	3260								
		2400	90	107	949	4	26.77	10.06	2020	14.5	3260	11	2470	14.5	3260								
		2400	90	107	949	4	26.77	7.64	2020	14.5	3260	11	2470	14.5	3260								
		2400	101	94.7	844	4.5	23.79	9.79	2020	14.5	3260	11	2470	14.5	3260								
		2400	101	94.7	844	4.5	23.79	7.67	2020	14.5	3260	11	2470	14.5	3260								
		2400	44	216	1929	1.7	54.41	9.89	1940	15	3370	11	2470	15	3370	SK 572.1 - 71 F2/8	20.5	45.2					
		2400	44	216	1929	1.7	54.41	7.25	1940	15	3370	11	2470	15	3370								
		2400	52	182	1623	1.8	45.77	9.97	1970	15	3370	11	2470	15	3370								
		2400	52	182	1623	1.8	45.77	7.4	1970	15	3370	11	2470	15	3370								
		2400	57	169	1503	2.2	42.38	10	1980	15	3370	11	2470	15	3370								
		2400	57	169	1503	2.2	42.38	7.46	1980	15	3370	11	2470	15	3370								
		2400	67	142	1264	2.6	35.65	10.05	2000	15	3370	11	2470	15	3370								
		2400	67	142	1264	2.6	35.65	7.55	2000	15	3370	11	2470	15	3370								
		2400	77	124	1109	3	31.28	10.07	2010	15	3370	11	2470	15	3370								
		2400	77	124	1109	3	31.28	7.6	2010	15	3370	11	2470	15	3370								
		2400	83	115	1025	3.3	28.91	10.09	2010	15	3370	11	2470	15	3370								
		2400	83	115	1025	3.3	28.91	7.62	2010	15	3370	11	2470	15	3370								
		2400	89	107	957	3.7	27	10.07	2020	15	3370	11	2470	15	3370								
		2400	89	107	957	3.7	27	7.64	2020	15	3370	11	2470	15	3370								
		2400	98	97.8	871	4.4	24.58	9.9	2020	15	3370	11	2470	15	3370								
		2400	98	97.8	871	4.4	24.58	7.66	2020	15	3370	11	2470	15	3370								
		2400	110	86.9	774	4.8	21.85	9.63	2020	15	3370	11	2470	15	3370								
		2400	110	86.9	774	4.8	21.85	7.68	2020	15	3370	11	2470	15	3370								
				2400	37	257	2294	0.8	64.7	3.3	730	10.2	2290	6.98	1660				10.2	2290	SK 373.1 - 71 F2/8	13.5	29.8
				2400	40	240	2135	0.8	60.22	3.54	790	10.2	2290	7.13	1690				10.2	2290			
2400	44			215	1914	1	54	3.73	830	10.2	2290	7.33	1730	10.2	2290								
2400	51			187	1668	1.1	47.05	4.05	900	10.2	2290	7.51	1770	10.2	2290								
2400	57			169	1505	1.2	42.46	4.14	920	10.2	2290	7.62	1800	10.2	2290								
2400	64			148	1320	1.4	37.23	4.34	970	10.2	2290	7.73	1800	10.2	2290								
2400	72			132	1177	1.5	33.2	4.62	1030	10.2	2290	7.8	1800	10.2	2290								
2400	81			118	1055	1.8	29.77	4.63	1030	10.2	2290	7.85	1800	10.2	2290								
2400	93			103	919	2	25.94	4.69	1050	10.2	2290	7.69	1730	10.2	2290								
2400	103			93.1	830	2.3	23.41	4.66	1040	10.2	2290	7.47	1680	10.2	2290								
2400	106			90.5	806	2.3	22.74	4.71	1060	10.2	2290	7.41	1670	10.2	2290								
2400	117			81.7	728	2.6	20.52	4.66	1050	10.2	2290	7.19	1620	10.2	2290								
2400	129	74.1	660	2.6	18.63	4.61	1030	10.2	2290	6.98	1570	10.2	2290										
		2400	55	172	1534	1	43.26	4.48	1000	10.2	2290	7.6	1790	10.2	2290	SK 372.1 - 71 F2/8	13.0	28.7					
		2400	63	152	1352	1.2	38.12	4.56	1020	10.2	2290	7.71	1800	10.2	2290								
		2400	71	135	1200	1.4	33.84	4.67	1040	10.2	2290	7.79	1800	10.2	2290								
		2400	80	120	1067	1.5	30.11	4.68	1050	10.2	2290	7.85	1800	10.2	2290								
		2400	93	103	916	1.8	25.85	4.8	1070	10.2	2290	7.71	1730	10.2	2290								

1.00 kW / 1.35 hp
1.50 kW / 2.00 hp


TEFC



NORDBLOC.1®
Helical in-line gear units

P ₁		n ₁	n ₂	M ₂		f _B	i _{tot}	F _R /F _A				F _{RVL} /F _{AVL}				Model type	 [kg] [lb]		
								F _R		F _A		F _{RVL}		F _{AVL}					
[kW]	[hp]	[rpm]		[Nm]	[lb-in]			[kN]	[lb]	[kN]	[lb]	[kN]	[lb]	[kN]	[lb]				
1.00	1.35	2400	104	91.5	815	2.2	23.00	4.76	1070	10.2	2290	7.45	1670	10.2	2290	SK 372.1 - 71 F2/8	13.0	28.7	
		2400	116	82.1	731	2.3	20.62	4.71	1060	10.2	2290	7.21	1620	10.2	2290				
		2400	130	73.2	652	2.7	18.40	4.73	1060	10.2	2290	6.99	1570	10.2	2290				
		2400	145	65.7	585	2.9	16.50	4.66	1050	10.2	2290	6.76	1520	10.2	2290				
		2400	165	58.0	517	3.3	14.57	4.67	1050	10.2	2290	6.53	1470	10.2	2290				
		2400	185	51.6	460	3.9	12.96	4.57	1030	10.2	2290	6.3	1420	10.2	2290				
		2400	208	46.0	410	4.1	11.55	4.52	1010	10.2	2290	6.09	1370	10.2	2290				
		2400	233	40.9	364	4.6	10.28	4.42	990	10.2	2290	5.87	1320	10.2	2290				
			2400	87	110	979	0.8	27.62	2.80	610	3.90	880					SK 172.1 - 71 F2/8	10.1	22.3
			2400	97	98.7	879	0.9	24.80	2.80	630	3.90	880							
			2400	107	89.2	795	1.0	22.42	2.80	630	3.90	880							
			2400	118	81.1	722	1.0	20.37	2.80	630	3.90	880							
			2400	129	74.0	659	1.1	18.60	2.80	630	3.90	880							
			2400	152	62.7	559	1.4	15.76	2.80	630	3.90	880							
			2400	177	53.9	480	1.6	13.54	2.80	630	3.90	880							
			2400	199	48.0	428	1.8	12.06	2.80	630	3.90	880							
			2400	211	45.3	404	1.9	11.39	2.80	630	3.90	880							
			2400	222	43.1	384	2.0	10.83	2.80	630	3.90	880							
			2400	245	39.0	347	2.2	9.79	2.80	630	3.90	880							
			2400	275	34.7	309	2.5	8.72	2.80	630	3.90	880							
			2400	306	31.2	278	2.6	7.83	2.80	630	3.90	880							
			2400	339	28.2	251	2.9	7.08	2.80	630	3.90	880							
			2400	373	25.6	228	3.2	6.43	2.80	630	3.90	880							
			2400	416	23.0	205	3.4	5.77	2.80	630	3.90	880							
			2400	467	20.5	182	4.1	5.14	2.80	630	3.90	880							
			2400	520	18.4	164	3.9	4.62	2.80	630	3.90	880							
			2400	575	16.6	148	3.9	4.17	2.80	630	3.90	880							
			2400	633	15.1	134	3.9	3.79	2.80	630	3.83	860							
2400	693	13.8	123	3.9	3.46	2.80	630	3.68	830										
2400	745	12.8	114	4.2	3.22	2.77	620	3.57	800										
2400	822	11.6	103	4.3	2.92	2.68	600	3.41	770										
2400	883	10.8	96.3	4.3	2.72	2.63	590	3.31	740										
2400	964	9.9	88.3	4.3	2.49	2.55	570	3.18	720										
2400	1035	9.2	82.2	4.7	2.32	2.50	560	3.09	700										
1.50	2.00	2400	13	1130	9943	0.8	189.31	4.45	1020	9.00	2020	11.29	2550	23.68	5340	SK 773.1 - 71 F3/8	40.5	89.3	
		2400	15	956	8415	0.9	160.22	6.64	1510	9.00	2020	12.43	2800	23.44	5280				
		2400	17	828	7289	1.0	138.78	8.20	1860	9.00	2020	13.27	2990	23.44	5280				
		2400	20	701	6169	1.2	117.46	9.48	2140	9.00	2020	13.97	3150	22.97	5170				
		2400	18	804	7071	0.8	134.64	3.96	1150	20.0	4500	12.35	2770	20	4500	SK 673.1 - 90 F1/8	31.0	68.3	
		2400	44	329	2895	1.9	55.12	10.42	2330	20.0	4500	14.90	3340	20	4500				
		2400	48	295	2600	2.2	49.50	10.55	2360	20.0	4500	14.99	3360	20	4500				
		2400	54	268	2355	2.4	44.85	10.65	2380	20.0	4500	15.00	3370	20	4500				
		2400	58	248	2182	2.6	41.54	10.71	2400	20.0	4500	15.00	3370	20	4500				
		2400	64	222	1955	2.9	37.23	10.78	2410	20.0	4500	15.00	3370	20	4500				




P_1		n_1	n_2	M_2		f_B	i_{tot}	F_R / F_A				F_{RVL} / F_{AVL}				Model type	 [kg] [lb]	
[kW]	[hp]							[Nm]	[lb-in]	F_R	F_A	F_{RVL}	F_{AVL}	[kN]	[lb]			
1.50	2.00	2400	70	204	1792	2.9	34.12	10.83	2430	20	4500	15	3370	20	4500	SK 673.1 - 90 F1/8	31.0	68.3
		2400	78	185	1624	2.9	30.92	10.87	2440	20	4500	15	3370	20	4500			
		2400	87	165	1450	3.2	27.61	10.91	2440	20	4500	15	3370	20	4500			
		2400	95	150	1323	3.3	25.19	10.94	2450	20	4500	15	3370	20	4500			
		2400	105	136	1199	3.3	22.82	10.96	2460	20	4500	15	3370	20	4500			
2400		18	7071	0.8	134.64	3.96	1150	20	4500	12.35	2770	20	4500	SK 673.1 - 71 F3/8	28.0	61.7		
		19	6477	0.9	123.33	6.56	1620	20	4500	12.88	2880	20	4500					
		21	6086	0.9	115.89	7.73	1740	20	4500	13.19	2960	20	4500					
		23	5435	1.0	103.48	8.56	1920	20	4500	13.66	3060	20	4500					
		25	4982	1.1	94.86	9.01	2020	20	4500	13.95	3120	20	4500					
		29	4396	1.3	83.70	9.50	2130	20	4500	14.27	3200	20	4500					
		33	3867	1.5	73.64	9.88	2210	20	4500	14.53	3250	20	4500					
		36	3464	1.6	65.95	10.13	2270	20	4500	14.70	3290	20	4500					
		40	3175	1.8	60.45	10.28	2300	20	4500	14.80	3320	20	4500					
		44	2895	1.9	55.12	10.42	2330	20	4500	14.90	3340	20	4500					
		48	2600	2.2	49.50	10.55	2360	20	4500	14.99	3360	20	4500					
		54	2355	2.4	44.85	10.65	2380	20	4500	15.00	3370	20	4500					
		58	2182	2.6	41.54	10.71	2400	20	4500	15.00	3370	20	4500					
		64	1955	2.9	37.23	10.78	2410	20	4500	15.00	3370	20	4500					
		70	1792	2.9	34.12	10.83	2430	20	4500	15.00	3370	20	4500					
		78	1624	2.9	30.92	10.87	2440	20	4500	15.00	3370	20	4500					
		87	1450	3.2	27.61	10.91	2440	20	4500	15.00	3370	20	4500					
		95	1323	3.3	25.19	10.94	2450	20	4500	15.00	3370	20	4500					
		105	1199	3.3	22.82	10.96	2460	20	4500	15.00	3370	20	4500					
		2400		67	1878	2.6	35.75	10.80	2420	20	4500	15.00	3370				20	4500
83	1527			3.2	29.08	10.89	2440	20	4500	15.00	3370	20	4500					
116	1083			5.0	20.62	10.98	2460	20	4500	15.00	3370	20	4500					
2400		42	2975	1.2	56.65	10.38	2330	20	4500	14.87	3330	20	4500	SK 672.1 - 71 F3/8	27.0	59.5		
		54	2340	1.7	44.55	10.65	2390	20	4500	15.00	3370	20	4500					
		67	1878	2.6	35.75	10.80	2420	20	4500	15.00	3370	20	4500					
		83	1527	3.2	29.08	10.89	2440	20	4500	15.00	3370	20	4500					
		116	1083	5.0	20.62	10.98	2460	20	4500	15.00	3370	20	4500					
2400		28	4474	0.9	85.18	6.70	1420	14.5	3260	11.00	2390	14.5	3260	SK 573.1 - 90 F1/8	25.0	55.1		
		28	4474	0.9	85.18	2.68	1420	14.5	3260	11.00	2390	14.5	3260					
		39	3202	1.2	60.97	8.31	1750	14.5	3260	11.00	2470	14.5	3260					
		39	3202	1.2	60.97	6.19	1750	14.5	3260	11.00	2470	14.5	3260					
		43	2931	1.4	55.80	8.66	1800	14.5	3260	11.00	2470	14.5	3260					
		43	2931	1.4	55.80	6.47	1800	14.5	3260	11.00	2470	14.5	3260					
		48	2605	1.5	49.60	8.71	1850	14.5	3260	11.00	2470	14.5	3260					
		48	2605	1.5	49.60	6.76	1850	14.5	3260	11.00	2470	14.5	3260					
		55	2279	1.7	43.40	8.85	1900	14.5	3260	11.00	2470	14.5	3260					
		55	2279	1.7	43.40	7.01	1900	14.5	3260	11.00	2470	14.5	3260					
		63	1997	2.0	38.02	8.92	1930	14.5	3260	11.00	2470	14.5	3260					

1.50 kW / 2.00 hp

TEFC



NORDBLOC.1®
Helical in-line gear units

P ₁		n ₁	n ₂	M ₂		f _B	i _{tot}	F _R /F _A				F _{RVL} /F _{AVL}				Model type	 [kg] [lb]	
								F _R	F _A	F _{RVL}	F _{AVL}	F _R	F _A	F _{RVL}	F _{AVL}			
[kW]	[hp]	[rpm]	[rpm]	[Nm]	[lb-in]			[kN]	[lb]	[kN]	[lb]	[kN]	[lb]	[kN]	[lb]			
1.50	2.00	2400	63	227	1997	2.0	38.02	7.19	1930	14.5	3260	11	2470	14.5	3260	SK 573.1 - 90 F1/8	25.0	55.1
		2400	69	208	1828	2.1	34.80	9.03	1950	14.5	3260	11	2470	14.5	3260			
		2400	69	208	1828	2.1	34.80	7.29	1950	14.5	3260	11	2470	14.5	3260			
		2400	78	185	1625	2.4	30.93	8.92	1970	14.5	3260	11	2470	14.5	3260			
		2400	78	185	1625	2.4	30.93	7.39	1970	14.5	3260	11	2470	14.5	3260			
		2400	90	160	1406	2.7	26.77	8.93	1990	14.5	3260	11	2470	14.5	3260			
		2400	90	160	1406	2.7	26.77	7.49	1990	14.5	3260	11	2470	14.5	3260			
		2400	101	142	1250	3.0	23.79	8.76	2000	14.5	3260	11	2470	14.5	3260			
		2400	101	142	1250	3.0	23.79	7.55	2000	14.5	3260	11	2470	14.5	3260			
		2400	113	127	1120	3.4	21.32	8.60	2010	14.5	3260	11	2470	14.5	3260			
		2400	113	127	1120	3.4	21.32	7.59	2010	14.5	3260	11	2470	14.5	3260			
		2400	125	115	1009	3.7	19.22	8.43	2010	14.5	3260	11	2470	14.5	3260			
		2400	125	115	1009	3.7	19.22	7.62	2010	14.5	3260	11	2470	14.5	3260			
		2400	138	104	915	4.1	17.42	8.27	2020	14.5	3260	11	2470	14.5	3260			
		2400	138	104	915	4.1	17.42	7.65	2020	14.5	3260	11	2470	14.5	3260			
				2400	25	564	4963	0.8	94.50	5.80	1240	14.5	3260	11	2290			
2400	25			564	4963	0.8	94.50	0	1240	14.5	3260	11	2290	14.5	3260			
2400	28			508	4474	0.9	85.18	6.70	1420	14.5	3260	11	2390	14.5	3260			
2400	28			508	4474	0.9	85.18	2.68	1420	14.5	3260	11	2390	14.5	3260			
2400	31			459	4038	1.0	76.88	7.37	1560	14.5	3260	11	2470	14.5	3260			
2400	31			459	4038	1.0	76.88	5.03	1560	14.5	3260	11	2470	14.5	3260			
2400	35			404	3552	1.1	67.64	8.02	1680	14.5	3260	11	2470	14.5	3260			
2400	35			404	3552	1.1	67.64	5.76	1680	14.5	3260	11	2470	14.5	3260			
2400	39			364	3202	1.2	60.97	8.31	1750	14.5	3260	11	2470	14.5	3260			
2400	39			364	3202	1.2	60.97	6.19	1750	14.5	3260	11	2470	14.5	3260			
2400	43			333	2931	1.4	55.80	8.66	1800	14.5	3260	11	2470	14.5	3260			
2400	43			333	2931	1.4	55.80	6.47	1800	14.5	3260	11	2470	14.5	3260			
2400	48			296	2605	1.5	49.60	8.71	1850	14.5	3260	11	2470	14.5	3260			
2400	48			296	2605	1.5	49.60	6.76	1850	14.5	3260	11	2470	14.5	3260			
2400	50			286	2518	1.6	47.95	8.75	1870	14.5	3260	11	2470	14.5	3260			
2400	50			286	2518	1.6	47.95	6.83	1870	14.5	3260	11	2470	14.5	3260			
2400	55			259	2279	1.7	43.40	8.85	1900	14.5	3260	11	2470	14.5	3260			
2400	55			259	2279	1.7	43.40	7.01	1900	14.5	3260	11	2470	14.5	3260			
2400	57			252	2215	1.8	42.18	8.87	1910	14.5	3260	11	2470	14.5	3260			
2400	57			252	2215	1.8	42.18	7.06	1910	14.5	3260	11	2470	14.5	3260			
2400	63			227	1997	2.0	38.02	8.92	1930	14.5	3260	11	2470	14.5	3260			
2400	63			227	1997	2.0	38.02	7.19	1930	14.5	3260	11	2470	14.5	3260			
2400	69			208	1828	2.1	34.80	9.03	1950	14.5	3260	11	2470	14.5	3260			
2400	69			208	1828	2.1	34.80	7.29	1950	14.5	3260	11	2470	14.5	3260			
2400	78			185	1625	2.4	30.93	8.92	1970	14.5	3260	11	2470	14.5	3260			
2400	78			185	1625	2.4	30.93	7.39	1970	14.5	3260	11	2470	14.5	3260			
2400	90			160	1406	2.7	26.77	8.93	1990	14.5	3260	11	2470	14.5	3260			
2400	90			160	1406	2.7	26.77	7.49	1990	14.5	3260	11	2470	14.5	3260			
2400	101			142	1250	3.0	23.79	8.76	2000	14.5	3260	11	2470	14.5	3260			
2400	101			142	1250	3.0	23.79	7.55	2000	14.5	3260	11	2470	14.5	3260			
2400	113			127	1120	3.4	21.32	8.60	2010	14.5	3260	11	2470	14.5	3260			
2400	113			127	1120	3.4	21.32	7.59	2010	14.5	3260	11	2470	14.5	3260			



P ₁		n ₁	n ₂	M ₂		f _B	i _{tot}	F _R /F _A				F _{RVL} /F _{AVL}				Model type	📦						
[kW]	[hp]			[Nm]	[lb-in]			F _R	F _A	F _{RVL}	F _{AVL}	[kN]	[lb]	[kN]	[lb]		[kN]	[lb]	[kg]	[lb]			
1.50	2.00	2400	125	115	1009	3.7	19.22	8.43	2010	14.5	3260	11	2470	14.5	3260	SK 573.1 - 71 F3/8	22.0	48.5					
		2400	125	115	1009	3.7	19.22	7.62	2010	14.5	3260	11	2470	14.5	3260								
		2400	138	104	915	4.1	17.42	8.27	2020	14.5	3260	11	2470	14.5	3260								
		2400	138	104	915	4.1	17.42	7.65	2020	14.5	3260	11	2470	14.5	3260								
		2400	77	187	1643	2.0	31.28	9.19	1970	15	3370	11	2470	15	3370	SK 572.1 - 90 F1/8	24.5	54.0					
		2400	77	187	1643	2.0	31.28	7.38	1970	15	3370	11	2470	15	3370								
		2400	83	173	1518	2.2	28.91	9.08	1980	15	3370	11	2470	15	3370								
		2400	83	173	1518	2.2	28.91	7.44	1980	15	3370	11	2470	15	3370								
		2400	89	161	1418	2.5	27.00	8.93	1990	15	3370	11	2470	15	3370								
		2400	89	161	1418	2.5	27.00	7.48	1990	15	3370	11	2470	15	3370								
		2400	98	147	1291	2.9	24.58	8.86	2000	15	3370	11	2470	15	3370								
		2400	98	147	1291	2.9	24.58	7.53	2000	15	3370	11	2470	15	3370								
		2400	110	130	1147	3.2	21.85	8.68	2000	15	3370	11	2470	15	3370								
		2400	110	130	1147	3.2	21.85	7.58	2000	15	3370	11	2470	15	3370								
		2400	123	117	1028	3.4	19.57	8.73	2010	15	3370	11	2470	15	3370								
		2400	123	117	1028	3.4	19.57	7.62	2010	15	3370	11	2470	15	3370								
		2400	146	98.3	865	4.1	16.46	8.45	2020	15	3370	11	2470	15	3370								
		2400	146	98.3	865	4.1	16.46	7.66	2020	15	3370	11	2470	15	3370								
		2400	156	91.8	808	4.7	15.38	8.29	2020	15	3370	11	2470	15	3370								
		2400	156	91.8	808	4.7	15.38	7.68	2020	15	3370	11	2470	15	3370								
		2400	176	81.6	718	5.0	13.67	8.08	1970	15	3370	11	2470	15	3370								
		2400	176	81.6	718	5.0	13.67	7.69	1970	15	3370	11	2470	15	3370								
				2400	44	325	2858	1.1	54.41	9.01	1810	15	3370	11	2470				15	3370	SK 572.1 - 71 F3/8	21.5	47.4
				2400	44	325	2858	1.1	54.41	6.54	1810	15	3370	11	2470				15	3370			
2400	52			273	2404	1.2	45.77	9.09	1880	15	3370	11	2470	15	3370								
2400	52			273	2404	1.2	45.77	6.92	1880	15	3370	11	2470	15	3370								
2400	57			253	2226	1.5	42.38	9.22	1910	15	3370	11	2470	15	3370								
2400	57			253	2226	1.5	42.38	7.05	1910	15	3370	11	2470	15	3370								
2400	67			213	1873	1.7	35.65	9.16	1950	15	3370	11	2470	15	3370								
2400	67			213	1873	1.7	35.65	7.27	1950	15	3370	11	2470	15	3370								
2400	77			187	1643	2.0	31.28	9.19	1970	15	3370	11	2470	15	3370								
2400	77			187	1643	2.0	31.28	7.38	1970	15	3370	11	2470	15	3370								
2400	83			173	1518	2.2	28.91	9.08	1980	15	3370	11	2470	15	3370								
2400	83			173	1518	2.2	28.91	7.44	1980	15	3370	11	2470	15	3370								
2400	89			161	1418	2.5	27.00	8.93	1990	15	3370	11	2470	15	3370								
2400	89			161	1418	2.5	27.00	7.48	1990	15	3370	11	2470	15	3370								
2400	98			147	1291	2.9	24.58	8.86	2000	15	3370	11	2470	15	3370								
2400	98			147	1291	2.9	24.58	7.53	2000	15	3370	11	2470	15	3370								
2400	110			130	1147	3.2	21.85	8.68	2000	15	3370	11	2470	15	3370								
2400	110			130	1147	3.2	21.85	7.58	2000	15	3370	11	2470	15	3370								
2400	123			117	1028	3.4	19.57	8.73	2010	15	3370	11	2470	15	3370								
2400	123			117	1028	3.4	19.57	7.62	2010	15	3370	11	2470	15	3370								
2400	146			98.3	865	4.1	16.46	8.45	2020	15	3370	11	2470	15	3370								
2400	146			98.3	865	4.1	16.46	7.66	2020	15	3370	11	2470	15	3370								
2400	156			91.8	808	4.7	15.38	8.29	2020	15	3370	11	2470	15	3370								
2400	156			91.8	808	4.7	15.38	7.68	2020	15	3370	11	2470	15	3370								
2400	176			81.6	718	5.0	13.67	8.08	1970	15	3370	11	2470	15	3370								
2400	176			81.6	718	5.0	13.67	7.69	1970	15	3370	11	2470	15	3370								

1.50 kW / 2.00 hp

TEFC



NORDBLOC.1®
Helical in-line gear units

P ₁		n ₁ n ₂		M ₂		f _B	i _{tot}	F _R /F _A				F _{RVL} /F _{AVL}				Model type	📦	
[kW]	[hp]	[rpm]	[rpm]	[Nm]	[lb-in]			F _R	F _A	F _R	F _A	F _{RVL}	F _{AVL}	F _{RVL}	F _{AVL}		[kg]	[lb]
1.50	2.00	2400	64	222	1955	0.9	37.23	2.28	520	10.2	2290	7.27	1730	10.2	2290	SK 373.1 - 90 F1/8	17.5	38.6
		2400	106	136	1194	1.5	22.74	3.48	790	10.2	2290	7.13	1610	10.2	2290			
		2400	117	122	1078	1.7	20.52	3.53	800	10.2	2290	6.93	1560	10.2	2290			
		2400	129	111	978	1.7	18.63	3.56	800	10.2	2290	6.75	1520	10.2	2290			
		2400	57	253	2230	0.8	42.46	1.79	410	10.2	2290	7.01	1670	10.2	2290	SK 373.1 - 71 F3/8	14.5	32.0
		2400	64	222	1955	0.9	37.23	2.28	520	10.2	2290	7.27	1730	10.2	2290			
		2400	72	198	1744	1.0	33.20	2.86	650	10.2	2290	7.44	1760	10.2	2290			
		2400	81	178	1564	1.2	29.77	3.01	680	10.2	2290	7.57	1720	10.2	2290			
		2400	93	155	1362	1.4	25.94	3.28	740	10.2	2290	7.38	1660	10.2	2290			
		2400	103	140	1229	1.5	23.41	3.36	760	10.2	2290	7.17	1610	10.2	2290			
		2400	106	136	1194	1.5	22.74	3.48	790	10.2	2290	7.13	1610	10.2	2290			
		2400	117	122	1078	1.7	20.52	3.53	800	10.2	2290	6.93	1560	10.2	2290			
		2400	129	111	978	1.7	18.63	3.56	800	10.2	2290	6.75	1520	10.2	2290			
		2400	130	110	966	1.8	18.4	3.76	850	10.2	2290	6.76	1520	10.2	2290	SK 372.1 - 90 F1/8	17.0	37.5
		2400	145	98.5	867	1.9	16.5	3.77	850	10.2	2290	6.56	1480	10.2	2290			
		2400	208	69.0	607	2.8	11.55	3.92	880	10.2	2290	5.95	1340	10.2	2290			
2400	233	61.4	540	3.1	10.28	3.87	870	10.2	2290	5.75	1290	10.2	2290					
2400	255	56.1	494	3.4	9.40	3.88	870	10.2	2290	5.60	1260	10.2	2290					
2400	292	49.1	432	3.7	8.22	3.83	860	9.84	2210	5.39	1210	9.84	2210					
2400	332	43.2	380	3.9	7.23	3.77	850	9.47	2130	5.18	1170	9.47	2130					
2400	348	41.1	362	4.1	6.89	3.76	850	9.35	2100	5.11	1150	9.35	2100					
2400	365	39.3	346	4.1	6.58	3.76	850	9.23	2080	5.05	1140	9.23	2080					
2400	403	35.5	312	4.5	5.95	3.68	830	8.94	2010	4.89	1100	8.94	2010					
2400	515	27.8	245	5.0	4.66	3.49	790	8.23	1850	4.53	1020	8.23	1850					
2400	71	202	1777	0.9	33.84	2.91	660	10.2	2290	7.42	1760	10.2	2290	SK 372.1 - 71 F3/8	14.0			
2400	80	180	1581	1.0	30.11	3.09	700	10.2	2290	7.56	1720	10.2	2290					
2400	93	154	1358	1.2	25.85	3.46	780	10.2	2290	7.40	1670	10.2	2290					
2400	104	137	1208	1.5	23.00	3.54	800	10.2	2290	7.17	1610	10.2	2290					
2400	116	123	1083	1.5	20.62	3.60	810	10.2	2290	6.96	1570	10.2	2290					
2400	130	110	966	1.8	18.40	3.76	850	10.2	2290	6.76	1520	10.2	2290					
2400	145	98.5	867	1.9	16.50	3.77	850	10.2	2290	6.56	1480	10.2	2290					
2400	165	87.0	765	2.2	14.57	3.91	880	10.2	2290	6.36	1430	10.2	2290					
2400	185	77.4	681	2.6	12.96	3.89	880	10.2	2290	6.14	1380	10.2	2290					
2400	208	69.0	607	2.8	11.55	3.92	880	10.2	2290	5.95	1340	10.2	2290					
2400	233	61.4	540	3.1	10.28	3.87	870	10.2	2290	5.75	1290	10.2	2290					
2400	255	56.1	494	3.4	9.40	3.88	870	10.2	2290	5.60	1260	10.2	2290					
2400	292	49.1	432	3.7	8.22	3.83	860	9.84	2210	5.39	1210	9.84	2210					
2400	332	43.2	380	3.9	7.23	3.77	850	9.47	2130	5.18	1170	9.47	2130					
2400	348	41.1	362	4.1	6.89	3.76	850	9.35	2100	5.11	1150	9.35	2100					
2400	365	39.3	346	4.1	6.58	3.76	850	9.23	2080	5.05	1140	9.23	2080					
2400	403	35.5	312	4.5	5.95	3.68	830	8.94	2010	4.89	1100	8.94	2010					
2400	515	27.8	245	5.0	4.66	3.49	790	8.23	1850	4.53	1020	8.23	1850					



P ₁		n ₁	n ₂	M ₂		f _B	i _{tot}	F _R /F _A				F _{RVL} /F _{AVL}				Model type	📦						
[kW]	[hp]			[Nm]	[lb-in]			[kN]	[lb]	[kN]	[lb]	[kN]	[lb]	[kN]	[lb]		[kN]	[lb]	[kg]	[lb]			
1.50	2.00	2400	211	68.0	598	1.2	11.39	2.80	630	3.90	880				SK 172.1 - 90 F1/8	14.1	31.1						
		2400	245	58.4	514	1.5	9.79	2.80	630	3.90	880												
		2400	275	52.1	458	1.7	8.72	2.80	630	3.90	880												
		2400	306	46.8	411	1.8	7.83	2.80	630	3.90	880												
		2400	339	42.3	372	1.9	7.08	2.80	630	3.90	880												
		2400	373	38.4	338	2.1	6.43	2.80	630	3.90	880												
		2400	416	34.4	303	2.2	5.77	2.80	630	3.90	880												
		2400	467	30.7	270	2.7	5.14	2.80	630	3.90	880												
		2400	520	27.5	242	2.6	4.62	2.80	630	3.90	880												
		2400	575	24.9	219	2.6	4.17	2.80	630	3.82	860												
		2400	633	22.6	199	2.6	3.79	2.80	630	3.67	830												
		2400	693	20.7	182	2.6	3.46	2.74	620	3.53	790												
		2400	745	19.2	169	2.8	3.22	2.69	610	3.43	770												
		2400	822	17.4	153	2.9	2.92	2.61	590	3.28	740												
		2400	883	16.2	143	2.8	2.72	2.55	580	3.19	720												
		2400	964	14.9	131	2.9	2.49	2.48	560	3.07	690												
		2400	1035	13.8	122	3.1	2.32	2.44	550	2.99	670												
				2400	211	68.0	598	1.2	11.39	2.80	630	3.90	880						SK 172.1 - 71 F3/8	11.1	24.5		
				2400	245	58.4	514	1.5	9.79	2.80	630	3.90	880										
				2400	275	52.1	458	1.7	8.72	2.80	630	3.90	880										
2400	306			46.8	411	1.8	7.83	2.80	630	3.90	880												
2400	339			42.3	372	1.9	7.08	2.80	630	3.90	880												
2400	373			38.4	338	2.1	6.43	2.80	630	3.90	880												
2400	416			34.4	303	2.2	5.77	2.80	630	3.90	880												
2400	467			30.7	270	2.7	5.14	2.80	630	3.90	880												
2400	520			27.5	242	2.6	4.62	2.80	630	3.90	880												
2400	575			24.9	219	2.6	4.17	2.80	630	3.82	860												
2400	633			22.6	199	2.6	3.79	2.80	630	3.67	830												
2400	693			20.7	182	2.6	3.46	2.74	620	3.53	790												
2400	745			19.2	169	2.8	3.22	2.69	610	3.43	770												
2400	822			17.4	153	2.9	2.92	2.61	590	3.28	740												
2400	883			16.2	143	2.8	2.72	2.55	580	3.19	720												
2400	964			14.9	131	2.9	2.49	2.48	560	3.07	690												
2400	1035			13.8	122	3.1	2.32	2.44	550	2.99	670												
2.20	3.00			2400	44	483	4343	1.3	55.12	9.62	2140	20	4500	14.35	3200	20	4500	SK 673.1 - 90 F2/8				31.8	70.1
				2400	48	433	3900	1.5	49.50	9.91	2210	20	4500	14.55	3250	20	4500						
				2400	54	393	3533	1.6	44.85	10.13	2260	20	4500	14.70	3290	20	4500						
		2400	58	364	3272	1.8	41.54	10.27	2290	20	4500	14.79	3310	20	4500								
		2400	64	326	2933	2.0	37.23	10.43	2330	20	4500	14.91	3330	20	4500								
		2400	70	299	2688	2.0	34.12	10.54	2350	20	4500	14.98	3350	20	4500								
		2400	78	271	2436	2.0	30.92	10.64	2380	20	4500	15.00	3370	20	4500								
		2400	87	242	2175	2.2	27.61	10.73	2400	20	4500	15.00	3370	20	4500								
		2400	95	220	1984	2.3	25.19	10.78	2410	20	4500	15.00	3370	20	4500								
		2400	105	200	1798	2.3	22.82	10.84	2430	20	4500	15.00	3370	20	4500								

0.50 kW / 0.67 hp

TEFC



NORDBLOC.1®
Helical in-line gear units

P ₁		n ₁	n ₂	M ₂		f _B	i _{tot}	F _R /F _A				F _{RVL} /F _{AVL}				Model type	📦	
[kW]	[hp]			[Nm]	[lb-in]			F _R	F _A	F _{RVL}	F _{AVL}	F _{RVL}	F _{AVL}	[kg]	[lb]			
2.20	3.00	2400	25	830	7473	0.8	94.86	2.03	0	20	4500	12.11	2670	20	4500	SK 673.1 - 71 F4/8	31.0	68.3
		2400	29	733	6594	0.9	83.70	6.66	1580	20	4500	12.90	2860	20	4500			
		2400	33	645	5801	1.0	73.64	8.29	1820	20	4500	13.50	3000	20	4500			
		2400	36	577	5195	1.1	65.95	8.91	1970	20	4500	13.89	3090	20	4500			
		2400	40	529	4762	1.2	60.45	9.29	2060	20	4500	14.13	3150	20	4500			
		2400	44	483	4343	1.3	55.12	9.62	2140	20	4500	14.35	3200	20	4500			
		2400	48	433	3900	1.5	49.50	9.91	2210	20	4500	14.55	3250	20	4500			
		2400	54	393	3533	1.6	44.85	10.13	2260	20	4500	14.70	3290	20	4500			
		2400	58	364	3272	1.8	41.54	10.27	2290	20	4500	14.79	3310	20	4500			
		2400	64	326	2933	2.0	37.23	10.43	2330	20	4500	14.91	3330	20	4500			
		2400	70	299	2688	2.0	34.12	10.54	2350	20	4500	14.98	3350	20	4500			
		2400	78	271	2436	2.0	30.92	10.64	2380	20	4500	15.00	3370	20	4500			
		2400	87	242	2175	2.2	27.61	10.73	2400	20	4500	15.00	3370	20	4500			
		2400	95	220	1984	2.3	25.19	10.78	2410	20	4500	15.00	3370	20	4500			
		2400	105	200	1798	2.3	22.82	10.84	2430	20	4500	15.00	3370	20	4500			
		2400	67	313	2816	1.8	35.75	10.48	2340	20	4500	14.94	3340	20	4500			
2400	83			255	2291	2.2	29.08	10.69	2390	20	4500	15.00	3370	20	4500			
2400	116			181	1625	3.4	20.62	10.88	2440	20	4500	15.00	3370	20	4500			
2400	130			161	1450	3.8	18.41	10.92	2440	20	4500	14.87	3340	20	4500			
2400	139			151	1359	4.0	17.25	10.94	2450	20	4500	14.59	3280	20	4500			
2400	156			134	1210	4.5	15.35	10.97	2460	20	4500	14.07	3160	20	4500			
2400	175	120	1080	4.8	13.70	10.99	2460	20	4500	13.58	3050	20	4500	SK 672.1 - 71 F4/8	30.0	66.1		
		2400	83	255	2291	2.2	29.08	10.69	2390	20	4500	15.00	3370				20	4500
		2400	116	181	1625	3.4	20.62	10.88	2440	20	4500	15.00	3370				20	4500
		2400	130	161	1450	3.8	18.41	10.92	2440	20	4500	14.87	3340				20	4500
		2400	139	151	1359	4.0	17.25	10.94	2450	20	4500	14.59	3280				20	4500
		2400	156	134	1210	4.5	15.35	10.97	2460	20	4500	14.07	3160				20	4500
2400	39	534	4803	0.8	60.97	4.63	1080	14.5	3260	11	2330	14.5	3260	SK 573.1 - 90 F2/8	25.8	56.9		
		2400	39	534	4803	0.8	60.97	0	1080	14.5	3260	11	2330				14.5	3260
		2400	43	488	4396	0.9	55.80	5.36	1260	14.5	3260	11	2410				14.5	3260
		2400	43	488	4396	0.9	55.80	3.86	1260	14.5	3260	11	2410				14.5	3260
		2400	48	434	3908	1.0	49.60	5.71	1350	14.5	3260	11	2470				14.5	3260
		2400	48	434	3908	1.0	49.60	5.38	1350	14.5	3260	11	2470				14.5	3260
		2400	55	380	3419	1.2	43.40	6.23	1490	14.5	3260	11	2470				14.5	3260
		2400	55	380	3419	1.2	43.40	6.03	1490	14.5	3260	11	2470				14.5	3260
		2400	63	333	2995	1.4	38.02	6.63	1590	14.5	3260	11	2470				14.5	3260
		2400	63	333	2995	1.4	38.02	6.47	1590	14.5	3260	11	2470				14.5	3260
		2400	69	305	2742	1.4	34.80	6.97	1670	14.5	3260	11	2470				14.5	3260
		2400	69	305	2742	1.4	34.80	6.70	1670	14.5	3260	11	2470				14.5	3260
		2400	78	271	2437	1.6	30.93	7.05	1700	14.5	3260	11	2470				14.5	3260
		2400	78	271	2437	1.6	30.93	6.94	1700	14.5	3260	11	2470				14.5	3260
		2400	90	234	2109	1.8	26.77	7.34	1770	14.5	3260	11	2470				14.5	3260
		2400	90	234	2109	1.8	26.77	7.15	1770	14.5	3260	11	2470				14.5	3260



P ₁		n ₁	n ₂	M ₂		f _B	i _{tot}	F _R /F _A				F _{RVL} /F _{AVL}				Model type	📦				
[kW]	[hp]			[Nm]	[lb-in]			F _R	F _A	F _{RVL}	F _{AVL}	[kN]	[lb]	[kN]	[lb]		[kN]	[lb]	[kg]	[lb]	
2.20	3.00	2400	101	208	1875	2.1	23.79	7.33	1770	14.5	3260	11	2470	14.5	3260	SK 573.1 - 90 F2/8	25.8	56.9			
		2400	101	208	1875	2.1	23.79	7.29	1770	14.5	3260	11	2470	14.5	3260						
		2400	113	187	1679	2.3	21.32	7.28	1760	14.5	3260	11	2470	14.5	3260						
		2400	113	187	1679	2.3	21.32	7.38	1760	14.5	3260	11	2470	14.5	3260						
		2400	125	168	1514	2.6	19.22	7.22	1740	14.5	3260	11	2470	14.5	3260						
		2400	125	168	1514	2.6	19.22	7.46	1740	14.5	3260	11	2470	14.5	3260						
		2400	138	152	1372	2.8	17.42	7.14	1730	14.5	3260	11	2470	14.5	3260						
		2400	138	152	1372	2.8	17.42	7.51	1730	14.5	3260	11	2470	14.5	3260						
2400	35	592	5329	0.8	67.64	3.93	910	14.5	3260	11	2200	14.5	3260	SK 573.1 - 71 F4/8	25.0	55.1					
		592	5329	0.8	67.64	0	910	14.5	3260	11	2200	14.5	3260								
		534	4803	0.8	60.97	4.63	1080	14.5	3260	11	2330	14.5	3260								
		534	4803	0.8	60.97	0	1080	14.5	3260	11	2330	14.5	3260								
		488	4396	0.9	55.8	5.36	1260	14.5	3260	11	2410	14.5	3260								
		488	4396	0.9	55.8	3.86	1260	14.5	3260	11	2410	14.5	3260								
		434	3908	1	49.6	5.71	1350	14.5	3260	11	2470	14.5	3260								
		434	3908	1	49.6	5.38	1350	14.5	3260	11	2470	14.5	3260								
		420	3777	1.1	47.95	5.85	1390	14.5	3260	11	2470	14.5	3260								
		420	3777	1.1	47.95	5.57	1390	14.5	3260	11	2470	14.5	3260								
		380	3419	1.2	43.4	6.23	1490	14.5	3260	11	2470	14.5	3260								
		380	3419	1.2	43.4	6.03	1490	14.5	3260	11	2470	14.5	3260								
		369	3323	1.2	42.18	6.32	1510	14.5	3260	11	2470	14.5	3260								
		369	3323	1.2	42.18	6.14	1510	14.5	3260	11	2470	14.5	3260								
		333	2995	1.4	38.02	6.63	1590	14.5	3260	11	2470	14.5	3260								
		333	2995	1.4	38.02	6.47	1590	14.5	3260	11	2470	14.5	3260								
		305	2742	1.4	34.8	6.97	1670	14.5	3260	11	2470	14.5	3260								
		305	2742	1.4	34.8	6.7	1670	14.5	3260	11	2470	14.5	3260								
		271	2437	1.6	30.93	7.05	1700	14.5	3260	11	2470	14.5	3260								
		271	2437	1.6	30.93	6.94	1700	14.5	3260	11	2470	14.5	3260								
		234	2109	1.8	26.77	7.34	1770	14.5	3260	11	2470	14.5	3260								
		234	2109	1.8	26.77	7.15	1770	14.5	3260	11	2470	14.5	3260								
		208	1875	2.1	23.79	7.33	1770	14.5	3260	11	2470	14.5	3260								
		208	1875	2.1	23.79	7.29	1770	14.5	3260	11	2470	14.5	3260								
		187	1679	2.3	21.32	7.28	1760	14.5	3260	11	2470	14.5	3260								
		187	1679	2.3	21.32	7.38	1760	14.5	3260	11	2470	14.5	3260								
		168	1514	2.6	19.22	7.22	1740	14.5	3260	11	2470	14.5	3260								
		168	1514	2.6	19.22	7.46	1740	14.5	3260	11	2470	14.5	3260								
		152	1372	2.8	17.42	7.14	1730	14.5	3260	11	2470	14.5	3260								
		152	1372	2.8	17.42	7.51	1730	14.5	3260	11	2470	14.5	3260								
		2400	77	274	2464	1.4	31.28	7.42	1790	15	3370	11	2470				15	3370	SK 572.1 - 90 F2/8	25.3	55.8
				274	2464	1.4	31.28	6.92	1790	15	3370	11	2470				15	3370			
253	2278			1.5	28.91	7.41	1790	15	3370	11	2470	15	3370								
253	2278			1.5	28.91	7.05	1790	15	3370	11	2470	15	3370								
236	2127			1.7	27	7.33	1770	15	3370	11	2470	15	3370								
236	2127			1.7	27	7.14	1770	15	3370	11	2470	15	3370								

2.20 kW / 3.00 hp

TEFC



NORDBLOC.1®
Helical in-line gear units

P ₁		n ₁	n ₂	M ₂		f _B	i _{tot}	F _R /F _A				F _{RVL} /F _{AVL}				Model type	📦	
[kW]	[hp]			[Nm]	[lb-in]			F _R	F _A	F _{RVL}	F _{AVL}	[kN]	[lb]	[kN]	[lb]		[kN]	[lb]
2.20	3.00	2400	98	215	1936	2	24.58	7.4	1790	15	3370	11	2470	15	3370	SK 572.1 - 90 F2/8	25.3	55.8
		2400	98	215	1936	2	24.58	7.25	1790	15	3370	11	2470	15	3370			
		2400	110	191	1721	2.2	21.85	7.36	1780	15	3370	11	2470	15	3370			
		2400	110	191	1721	2.2	21.85	7.36	1780	15	3370	11	2470	15	3370			
		2400	123	171	1542	2.3	19.57	7.62	1840	15	3370	11	2470	15	3370			
		2400	123	171	1542	2.3	19.57	7.45	1840	15	3370	11	2470	15	3370			
		2400	146	144	1297	2.8	16.46	7.5	1820	15	3370	11	2470	15	3370			
		2400	146	144	1297	2.8	16.46	7.54	1820	15	3370	11	2470	15	3370			
		2400	156	135	1211	3.2	15.38	7.38	1790	15	3370	11	2470	15	3370			
		2400	156	135	1211	3.2	15.38	7.57	1790	15	3370	11	2470	15	3370			
		2400	176	120	1077	3.4	13.67	7.25	1760	15	3370	10.94	2470	15	3370			
		2400	176	120	1077	3.4	13.67	7.61	1760	15	3370	10.94	2470	15	3370			
		2400	189	111	999	3.9	12.68	7.25	1760	15	3370	10.71	2470	15	3370			
		2400	189	111	999	3.9	12.68	7.63	1760	15	3370	10.71	2470	15	3370			
		2400	213	98.5	886	4.2	11.25	7.14	1730	15	3370	10.32	2400	15	3370			
		2400	213	98.5	886	4.2	11.25	7.66	1730	15	3370	10.32	2400	15	3370			
		2400	239	87.9	791	4.6	10.04	7.02	1700	15	3370	9.97	2320	15	3370			
		2400	239	87.9	791	4.6	10.04	7.61	1700	15	3370	9.97	2320	15	3370			
		2400	269	78.1	703	4.7	8.92	6.85	1660	15	3370	9.61	2240	15	3370			
		2400	269	78.1	703	4.7	8.92	7.42	1660	15	3370	9.61	2240	15	3370			
2400	294	71.4	642	5	8.15	6.82	1660	15	3370	9.36	2180	15	3370					
2400	294	71.4	642	5	8.15	7.39	1660	15	3370	9.36	2180	15	3370					
2400	77	274	2464	1.4	31.28	7.42	1790	15	3370	11	2470	15	3370	SK 572.1 - 71 F4/8	24.5	54.0		
2400	77	274	2464	1.4	31.28	6.92	1790	15	3370	11	2470	15	3370					
2400	98	215	1936	2	24.58	7.4	1790	15	3370	11	2470	15	3370					
2400	98	215	1936	2	24.58	7.25	1790	15	3370	11	2470	15	3370					
2400	110	191	1721	2.2	21.85	7.36	1780	15	3370	11	2470	15	3370					
2400	110	191	1721	2.2	21.85	7.36	1780	15	3370	11	2470	15	3370					
2400	123	171	1542	2.3	19.57	7.62	1840	15	3370	11	2470	15	3370					
2400	123	171	1542	2.3	19.57	7.45	1840	15	3370	11	2470	15	3370					
2400	146	144	1297	2.8	16.46	7.5	1820	15	3370	11	2470	15	3370					
2400	146	144	1297	2.8	16.46	7.54	1820	15	3370	11	2470	15	3370					
2400	156	135	1211	3.2	15.38	7.38	1790	15	3370	11	2470	15	3370					
2400	156	135	1211	3.2	15.38	7.57	1790	15	3370	11	2470	15	3370					
2400	176	120	1077	3.4	13.67	7.25	1760	15	3370	10.94	2470	15	3370					
2400	176	120	1077	3.4	13.67	7.61	1760	15	3370	10.94	2470	15	3370					
2400	189	111	999	3.9	12.68	7.25	1760	15	3370	10.71	2470	15	3370					
2400	189	111	999	3.9	12.68	7.63	1760	15	3370	10.71	2470	15	3370					
2400	213	98.5	886	4.2	11.25	7.14	1730	15	3370	10.32	2400	15	3370					
2400	213	98.5	886	4.2	11.25	7.66	1730	15	3370	10.32	2400	15	3370					
2400	239	87.9	791	4.6	10.04	7.02	1700	15	3370	9.97	2320	15	3370					
2400	239	87.9	791	4.6	10.04	7.61	1700	15	3370	9.97	2320	15	3370					
2400	269	78.1	703	4.7	8.92	6.85	1660	15	3370	9.61	2240	15	3370					
2400	269	78.1	703	4.7	8.92	7.42	1660	15	3370	9.61	2240	15	3370					
2400	294	71.4	642	5	8.15	6.82	1660	15	3370	9.36	2180	15	3370					
2400	294	71.4	642	5	8.15	7.39	1660	15	3370	9.36	2180	15	3370					



P ₁		n ₁	n ₂	M ₂		f _B	i _{tot}	F _R /F _A				F _{RVL} /F _{AVL}				Model type	📦						
[kW]	[hp]	[rpm]		[Nm]	[lb-in]			F _R	F _A			F _{RVL}	F _{AVL}				[kg]	[lb]					
								[kN]	[lb]	[kN]	[lb]	[kN]	[lb]	[kN]	[lb]								
2.20	3.00	2400	130	161	1450	1.2	18.40	2.39	520	10.2	2290	6.45	1450	10.2	2290	SK 372.1 - 90 F2/8	17.8	39.2					
		2400	145	144	1300	1.3	16.50	2.52	550	10.2	2290	6.27	1410	10.2	2290								
		2400	208	101	910	1.9	11.55	3.08	680	10.2	2290	5.76	1290	10.2	2290								
		2400	233	90	810	2.1	10.28	3.11	690	10.13	2270	5.57	1250	10.13	2270								
		2400	255	82.3	741	2.3	9.40	3.19	710	9.92	2230	5.45	1220	9.92	2230								
		2400	292	72.0	648	2.5	8.22	3.23	720	9.56	2150	5.25	1180	9.56	2150								
		2400	332	63.3	570	2.7	7.23	3.24	720	9.23	2070	5.06	1140	9.23	2070								
		2400	348	60.3	543	2.8	6.89	3.27	730	9.12	2050	5.00	1120	9.12	2050								
		2400	365	57.6	518	2.8	6.58	3.30	740	9.02	2030	4.94	1110	9.02	2020								
		2400	403	52.1	469	3.1	5.95	3.25	730	8.75	1960	4.79	1080	8.75	1960								
		2400	458	45.9	413	3.5	5.24	3.20	710	8.42	1890	4.62	1040	8.42	1890								
		2400	515	40.8	367	3.4	4.66	3.14	700	8.02	1800	4.45	1000	8.02	1800								
		2400	574	36.6	330	3.6	4.18	3.08	690	7.60	1710	4.31	970	7.60	1710								
		2400	636	33.0	297	3.6	3.78	3.02	680	7.24	1630	4.17	940	7.24	1630								
		2400	701	30.0	270	3.7	3.43	2.97	660	6.92	1550	4.05	910	6.92	1550								
		2400	768	27.3	246	3.7	3.12	2.91	650	6.63	1490	3.94	880	6.63	1490								
		2400	840	25	225	3.6	2.86	2.85	640	6.38	1430	3.83	860	6.38	1430								
		2400	914	23	207	3.9	2.62	2.80	630	6.14	1380	3.73	840	6.14	1380								
		2.20	3.00	2400	165	128	1148	1.5	14.57	2.85	630	10.2	2290	6.11	1370				10.2	2290	SK 372.1 - 71 F4/8	17.0	37.5
				2400	185	113	1021	1.8	12.96	2.92	650	10.2	2290	5.92	1330				10.2	2290			
2400	208			101	910	1.9	11.55	3.08	680	10.2	2290	5.76	1290	10.2	2290								
2400	233			90.0	810	2.1	10.28	3.11	690	10.13	2270	5.57	1250	10.13	2270								
2400	255			82.3	741	2.3	9.40	3.19	710	9.92	2230	5.45	1220	9.92	2230								
2400	292			72.0	648	2.5	8.22	3.23	720	9.56	2150	5.25	1180	9.56	2150								
2400	332			63.3	570	2.7	7.23	3.24	720	9.23	2070	5.06	1140	9.23	2070								
2400	348			60.3	543	2.8	6.89	3.27	730	9.12	2050	5.00	1120	9.12	2050								
2400	365			57.6	518	2.8	6.58	3.30	740	9.02	2030	4.94	1110	9.02	2020								
2400	403			52.1	469	3.1	5.95	3.25	730	8.75	1960	4.79	1080	8.75	1960								
2400	458			45.9	413	3.5	5.24	3.20	710	8.42	1890	4.62	1040	8.42	1890								
2400	515			40.8	367	3.4	4.66	3.14	700	8.02	1800	4.45	1000	8.02	1800								
2400	574			36.6	330	3.6	4.18	3.08	690	7.60	1710	4.31	970	7.60	1710								
2400	636			33.0	297	3.6	3.78	3.02	680	7.24	1630	4.17	940	7.24	1630								
2400	701			30.0	270	3.7	3.43	2.97	660	6.92	1550	4.05	910	6.92	1550								
2400	768			27.3	246	3.7	3.12	2.91	650	6.63	1490	3.94	880	6.63	1490								
2400	840			25.0	225	3.6	2.86	2.85	640	6.38	1430	3.83	860	6.38	1430								
2400	914			23.0	207	3.9	2.62	2.80	630	6.14	1380	3.73	840	6.14	1380								
3.00	4.00			2400	44	658	5790	1.0	55.12	8.16	1830	20	4500	13.41	3000	20	4500	SK 673.1 - 90 F3/8	34.8	76.7			
				2400	48	591	5200	1.1	49.50	8.80	1970	20	4500	13.81	3090	20	4500						
		2400	54	535	4711	1.2	44.85	9.25	2070	20	4500	14.10	3160	20	4500								
		2400	58	496	4363	1.3	41.54	9.53	2130	20	4500	14.29	3200	20	4500								
		2400	64	444	3910	1.4	37.23	9.85	2210	20	4500	14.51	3250	20	4500								
		2400	70	407	3585	1.5	34.12	10.06	2250	20	4500	14.65	3280	20	4500								
		2400	78	369	3248	1.4	30.92	10.25	2290	20	4500	14.78	3310	20	4500								
		2400	87	330	2900	1.6	27.61	10.42	2330	20	4500	14.90	3340	20	4500								
		2400	95	301	2646	1.7	25.19	10.53	2360	20	4500	14.98	3350	20	4500								
		2400	105	272	2397	1.7	22.82	10.63	2380	20	4500	15.00	3370	20	4500								

3.00 kW / 4.00 hp

TEFC



NORDBLOC.1®
Helical in-line gear units

P ₁		n ₁	n ₂	M ₂		f _B	i _{tot}	F _R /F _A				F _{RVL} /F _{AVL}				Model type	📦						
[kW]	[hp]			[Nm]	[lb-in]			F _R	F _A	F _{RVL}	F _{AVL}	[kN]	[lb]	[kN]	[lb]		[kN]	[lb]	[kg]	[lb]			
3.00	4.00	2400	67	427	3755	1.3	35.75	9.95	2230	20	4500	14.58	3260	20	4500	SK 672.1 - 90 F3/8	33.8	74.5					
		2400	83	347	3054	1.6	29.08	10.34	2320	20	4500	14.85	3330	20	4500								
		2400	116	246	2166	2.5	20.62	10.71	2400	20	4500	15.00	3370	20	4500								
		2400	130	220	1934	2.8	18.41	10.79	2420	20	4500	14.64	3290	20	4500								
		2400	139	206	1812	3.0	17.25	10.82	2420	20	4500	14.37	3230	20	4500								
		2400	156	183	1613	3.3	15.35	10.87	2440	20	4500	13.89	3120	20	4500								
		2400	175	164	1440	3.5	13.7	10.91	2450	20	4500	13.41	3020	20	4500								
		2400	191	150	1320	3.8	12.56	10.94	2450	20	4500	13.06	2940	20	4500								
		2400	211	136	1196	4.2	11.38	10.96	2460	20	4500	12.67	2850	20	4500								
		2400	232	124	1089	4.6	10.37	10.98	2460	20	4500	12.32	2770	20	4500								
		2400	259	110	972	4.8	9.25	11.00	2460	20	4500	11.89	2680	20	4500								
		2400	48	592	5210	0.8	49.6	2.28	570	14.5	3260	10.43	2230	14.5	3260				SK 573.1 - 90 F3/8	28.8	63.5		
				2400	48	592	5210	0.8	49.6	0	570	14.5	3260	10.43	2230							14.5	3260
				2400	55	518	4559	0.9	43.4	3.23	800	14.5	3260	11	2380							14.5	3260
				2400	55	518	4559	0.9	43.4	1.83	800	14.5	3260	11	2380							14.5	3260
				2400	63	454	3994	1.0	38.02	4.00	990	14.5	3260	11	2470							14.5	3260
2400	63			454	3994	1.0	38.02	4.33	990	14.5	3260	11	2470	14.5	3260								
2400	69			415	3655	1.1	34.80	4.62	1140	14.5	3260	11	2470	14.5	3260								
2400	69			415	3655	1.1	34.80	5.01	1140	14.5	3260	11	2470	14.5	3260								
2400	78			369	3249	1.2	30.93	4.91	1210	14.5	3260	11	2470	14.5	3260								
2400	78			369	3249	1.2	30.93	5.33	1210	14.5	3260	11	2470	14.5	3260								
2400	90			320	2812	1.3	26.77	5.53	1360	14.5	3260	11	2470	14.5	3260								
2400	90			320	2812	1.3	26.77	5.99	1360	14.5	3260	11	2470	14.5	3260								
2400	101			284	2499	1.5	23.79	5.68	1390	14.5	3260	11	2470	14.5	3260								
2400	101			284	2499	1.5	23.79	6.16	1390	14.5	3260	11	2470	14.5	3260								
2400	113			254	2239	1.7	21.32	5.78	1420	14.5	3260	11	2470	14.5	3260								
2400	113			254	2239	1.7	21.32	6.26	1420	14.5	3260	11	2470	14.5	3260								
2400	125			229	2019	1.9	19.22	5.83	1430	14.5	3260	11	2470	14.5	3260								
2400	125			229	2019	1.9	19.22	6.32	1430	14.5	3260	11	2470	14.5	3260								
2400	138			208	1830	2.1	17.42	5.86	1430	14.5	3260	11	2470	14.5	3260								
2400	138			208	1830	2.1	17.42	6.35	1430	14.5	3260	11	2470	14.5	3260								
2400	77	373	3286	1.0	31.28	5.39	1330	15	3370	11	2470	15	3370	SK 572.1 - 90 F3/8	28.3	62.4							
		2400	77	373	3286	1.0	31.28	5.85	1330	15	3370	11	2470				15	3370					
		2400	83	345	3037	1.1	28.91	5.51	1350	15	3370	11	2470				15	3370					
		2400	83	345	3037	1.1	28.91	5.97	1350	15	3370	11	2470				15	3370					
		2400	89	322	2836	1.2	27.00	5.51	1350	15	3370	11	2470				15	3370					
		2400	89	322	2836	1.2	27.00	5.97	1350	15	3370	11	2470				15	3370					
		2400	98	293	2582	1.5	24.58	5.74	1410	15	3370	11	2470				15	3370					
		2400	98	293	2582	1.5	24.58	6.22	1410	15	3370	11	2470				15	3370					
		2400	110	261	2295	1.6	21.85	5.85	1440	15	3370	11	2470				15	3370					
		2400	110	261	2295	1.6	21.85	6.35	1440	15	3370	11	2470				15	3370					
		2400	123	234	2055	1.7	19.57	6.36	1560	15	3370	11	2470				15	3370					
		2400	123	234	2055	1.7	19.57	6.89	1560	15	3370	11	2470				15	3370					
		2400	146	197	1729	2.0	16.46	6.42	1570	15	3370	11	2470				15	3370					
		2400	146	197	1729	2.0	16.46	6.96	1570	15	3370	11	2470				15	3370					
		2400	156	184	1615	2.3	15.38	6.34	1550	15	3370	11.00	2470				15	3370					
		2400	156	184	1615	2.3	15.38	6.87	1550	15	3370	11.00	2470				15	3370					
2400	176	163	1436	2.5	13.67	6.31	1540	15	3370	10.73	2470	15	3370										




P ₁		n ₁	n ₂	M ₂		f _B	i _{tot}	F _R /F _A				F _{RVL} /F _{AVL}				Model type	📦						
[kW]	[hp]			[Nm]	[lb-in]			F _R	F _A	F _{RVL}	F _{AVL}	[kN]	[lb]	[kN]	[lb]		[kN]	[lb]	[kg]	[lb]			
3.00	4.00	2400	176	163	1436	2.5	13.67	6.84	1540	15	3370	10.73	2470	15	3370	SK 572.1 - 90 F3/8	28.3	62.4					
		2400	189	151	1332	2.8	12.68	6.39	1560	15	3370	10.52	2450	15	3370								
		2400	189	151	1332	2.8	12.68	6.92	1560	15	3370	10.52	2450	15	3370								
		2400	213	134	1182	3.1	11.25	6.37	1560	15	3370	10.16	2370	15	3370								
		2400	213	134	1182	3.1	11.25	6.91	1560	15	3370	10.16	2370	15	3370								
		2400	239	120	1054	3.3	10.04	6.34	1550	15	3370	9.82	2290	15	3370								
		2400	239	120	1054	3.3	10.04	6.87	1550	15	3370	9.82	2290	15	3370								
		2400	269	107	937	3.5	8.92	6.23	1520	15	3370	9.48	2210	15	3370								
		2400	269	107	937	3.5	8.92	6.75	1520	15	3370	9.48	2210	15	3370								
		2400	294	97.3	856	3.7	8.15	6.28	1530	15	3370	9.24	2150	15	3370								
		2400	294	97.3	856	3.7	8.15	6.81	1530	15	3370	9.24	2150	15	3370								
		2400	320	89.4	787	3.9	7.49	6.24	1530	15	3370	9.02	2100	15	3370								
		2400	320	89.4	787	3.9	7.49	6.77	1530	15	3370	9.02	2100	15	3370								
		2400	381	75.2	662	4.3	6.30	6.05	1400	15	3370	8.55	1980	15	3370								
		2400	381	75.2	662	4.3	6.30	6.56	1400	15	3370	8.55	1980	15	3370								
		2400	408	70.2	618	4.3	5.88	5.94	1450	15	3370	8.36	1950	15	3370								
		2400	408	70.2	618	4.3	5.88	6.44	1450	15	3370	8.36	1950	15	3370								
		2400	459	62.4	549	4.3	5.23	5.80	1420	14.25	3200	8.06	1880	14.25	3200								
		2400	459	62.4	549	4.3	5.23	6.28	1420	14.25	3200	8.06	1880	14.25	3200								
		2400	512	55.9	492	4.5	4.69	5.65	1380	13.48	3030	7.78	1810	13.48	3030								
		2400	512	55.9	492	4.5	4.69	6.13	1380	13.48	3030	7.78	1810	13.48	3030								
		2400	568	50.4	444	4.6	4.22	5.52	1350	12.82	2880	7.53	1750	12.82	2880								
		2400	568	50.4	444	4.6	4.22	5.98	1350	12.82	2880	7.53	1750	12.82	2880								
		2400	627	45.7	402	4.8	3.83	5.38	1310	12.24	2750	7.30	1700	12.24	2750								
		2400	627	45.7	402	4.8	3.83	5.84	1310	12.24	2750	7.30	1700	12.24	2750								
		2400	734	39.0	343	4.9	3.27	5.17	1260	11.39	2560	6.94	1620	11.39	2560								
		2400	734	39.0	343	4.9	3.27	5.61	1260	11.39	2560	6.94	1620	11.39	2560								
		2400	821	34.9	307	4.9	2.92	5.02	1230	10.83	2440	6.69	1560	10.83	2440								
		2400	821	34.9	307	4.9	2.92	5.44	1230	10.83	2440	6.69	1560	10.83	2440								
		2400	130	220	1933	0.9	18.40	0.83	190	10.20	2290	6.10	1370	10.20	2290				SK 372.1 - 90 F3/8	20.8	45.9		
				2400	145	197	1733	1.0	16.50	1.09	250	10.20	2290	5.95	1340							10.20	2290
				2400	208	138	1214	1.4	11.55	2.12	480	10.02	2260	5.54	1250							10.02	2260
2400	233			123	1080	1.5	10.28	2.24	510	9.73	2190	5.38	1210	9.73	2190								
2400	255			112	987	1.7	9.40	2.41	550	9.56	2150	5.27	1190	9.56	2150								
2400	292			98.2	864	1.8	8.22	2.55	580	9.25	2080	5.10	1150	9.25	2080								
2400	332			86.3	760	2.0	7.23	2.64	600	8.95	2010	4.93	1110	8.95	2010								
2400	348			82.2	724	2.1	6.89	2.71	610	8.86	1990	4.87	1100	8.86	1990								
2400	365			78.6	691	2.0	6.58	2.78	630	8.78	1970	4.82	1090	8.78	1970								
2400	403			71.0	625	2.3	5.95	2.77	620	8.52	1920	4.68	1050	8.52	1920								
2400	458			62.6	551	2.6	5.24	2.76	620	8.22	1850	4.52	1020	8.22	1850								
2400	515			55.7	490	2.5	4.66	2.75	620	7.78	1750	4.36	980	7.78	1750								
2400	574			49.9	439	2.6	4.18	2.72	610	7.39	1660	4.23	950	7.39	1660								
2400	636			45.1	397	2.7	3.78	2.69	610	7.05	1590	4.10	920	7.05	1590								
2400	701			40.9	360	2.7	3.43	2.66	600	6.75	1520	3.98	900	6.75	1520								
2400	768			37.3	328	2.7	3.12	2.62	590	6.48	1460	3.87	870	6.48	1460								
2400	840	34.1	300	2.6	2.86	2.58	580	6.24	1400	3.77	850	6.24	1400										
2400	914	31.3	276	2.9	2.62	2.54	570	6.01	1350	3.67	830	6.01	1350										

3.70 kW / 5.00 hp

TEFC



NORDBLOC.1®
Helical in-line gear units

P ₁		n ₁	n ₂	M ₂		f _B	i _{tot}	F _R /F _A				F _{RVL} /F _{AVL}				Model type	 [kg] [lb]	
								F _R	F _A	F _{RVL}	F _{AVL}	F _{RVL}	F _{AVL}	F _{RVL}	F _{AVL}			
[kW]	[hp]	[rpm]	[Nm]	[lb-in]				[kN]	[lb]	[kN]	[lb]	[kN]	[lb]	[kN]	[lb]			
3.70	5.00	2400	44	812	7238	0.8	55.12	3.50	790	20	4500	12.28	2730	20	4500	SK 673.1 - 90 F4/8	36.6	80.7
		2400	48	729	6499	0.9	49.50	6.77	1610	20	4500	12.93	2880	20	4500			
		2400	54	660	5888	1.0	44.85	8.13	1800	20	4500	13.40	2990	20	4500			
		2400	58	612	5454	1.0	41.54	8.61	1910	20	4500	13.70	3060	20	4500			
		2400	64	548	4888	1.2	37.23	9.15	2040	20	4500	14.04	3140	20	4500			
		2400	70	502	4481	1.2	34.12	9.48	2110	20	4500	14.26	3190	20	4500			
		2400	78	455	4059	1.2	30.92	9.79	2180	20	4500	14.46	3230	20	4500			
		2400	87	406	3625	1.3	27.61	10.06	2250	20	4500	14.65	3280	20	4500			
		2400	95	371	3307	1.3	25.19	10.24	2290	20	4500	14.77	3310	20	4500			
		2400	105	336	2996	1.3	22.82	10.39	2320	20	4500	14.88	3330	20	4500			
2400		67		526	4694	1.0	35.75	9.31	2070	20	4500	14.15	3160	20	4500	SK 672.1 - 90 F4/8	35.6	78.5
		83		428	3818	1.3	29.08	9.94	2220	20	4500	14.57	3260	20	4500			
		116		304	2708	2.0	20.62	10.52	2350	20	4500	14.93	3350	20	4500			
		130		271	2417	2.3	18.41	10.63	2380	20	4500	14.44	3250	20	4500			
		139		254	2265	2.4	17.25	10.69	2390	20	4500	14.19	3190	20	4500			
		156		226	2016	2.7	15.35	10.77	2410	20	4500	13.72	3080	20	4500			
		175		202	1799	2.9	13.70	10.83	2420	20	4500	13.26	2980	20	4500			
		191		185	1649	3.1	12.56	10.87	2430	20	4500	12.92	2910	20	4500			
		211		168	1494	3.4	11.38	10.91	2440	20	4500	12.54	2820	20	4500			
		232		153	1361	3.7	10.37	10.94	2450	20	4500	12.21	2750	20	4500			
		259		136	1215	3.9	9.25	10.96	2460	20	4500	11.79	2650	20	4500			
		277		128	1138	4.2	8.66	10.98	2460	20	4500	11.55	2600	20	4500			
		283		125	1114	4.2	8.48	10.98	2460	20	4500	11.48	2580	20	4500			
		312		113	1009	4.7	7.68	11.00	2460	19.5	4380	11.14	2500	19.5	4380			
2400		63		560	4992	0.8	38.02	1.70	390	14.5	3260	9.34	2260	14.5	3260	SK 573.1 - 90 F4/8	30.6	67.5
		63		560	4992	0.8	38.02	0	390	14.5	3260	9.34	2260	14.5	3260			
		69		512	4569	0.9	34.80	2.56	600	14.5	3260	10.04	2380	14.5	3260			
		69		512	4569	0.9	34.80	2.37	600	14.5	3260	10.04	2380	14.5	3260			
		78		455	4062	1.0	30.93	3.05	720	14.5	3260	10.32	2470	14.5	3260			
		78		455	4062	1.0	30.93	3.30	720	14.5	3260	10.32	2470	14.5	3260			
		90		394	3515	1.1	26.77	3.94	950	14.5	3260	10.97	2470	14.5	3260			
		90		394	3515	1.1	26.77	4.28	950	14.5	3260	10.97	2470	14.5	3260			
		101		350	3124	1.2	23.79	4.24	1020	14.5	3260	11.00	2470	14.5	3260			
		101		350	3124	1.2	23.79	4.60	1020	14.5	3260	11.00	2470	14.5	3260			
		113		314	2799	1.4	21.32	4.46	1080	14.5	3260	11.00	2470	14.5	3260			
		113		314	2799	1.4	21.32	4.84	1080	14.5	3260	11.00	2470	14.5	3260			
		125		283	2524	1.5	19.22	4.62	1110	14.5	3260	11.00	2470	14.5	3260			
		125		283	2524	1.5	19.22	5.01	1110	14.5	3260	11.00	2470	14.5	3260			
138		256	2287	1.7	17.42	4.73	1140	14.5	3260	11.00	2470	14.5	3260					
138		256	2287	1.7	17.42	5.13	1140	14.5	3260	11.00	2470	14.5	3260					



P_1		n_1	n_2	M_2		f_B	i_{tot}	F_R / F_A				F_{RVL} / F_{AVL}				Model type		
[kW]	[hp]							[Nm]	[lb-in]	F_R	F_A		F_{RVL}		F_{AVL}			
		[rpm]						[kN]	[lb]	[kN]	[lb]	[kN]	[lb]	[kN]	[lb]			
3.70	5.00	2400	77	460	4107	0.8	31.28	3.63	870	15	3370	10.92	2460	15	3370	SK 572.1 - 90 F4/8	30.1	66.4
		2400	77	460	4107	0.8	31.28	3.93	870	15	3370	10.92	2460	15	3370			
		2400	83	426	3796	0.9	28.91	3.85	920	15	3370	11.00	2470	15	3370			
		2400	83	426	3796	0.9	28.91	4.17	920	15	3370	11.00	2470	15	3370			
		2400	89	397	3545	1.0	27.00	3.91	940	15	3370	10.95	2470	15	3370			
		2400	89	397	3545	1.0	27.00	4.24	940	15	3370	10.95	2470	15	3370			
		2400	98	362	3227	1.2	24.58	4.28	1030	15	3370	11.00	2470	15	3370			
		2400	98	362	3227	1.2	24.58	4.64	1030	15	3370	11.00	2470	15	3370			
		2400	110	322	2868	1.3	21.85	4.53	1090	15	3370	11.00	2470	15	3370			
		2400	110	322	2868	1.3	21.85	4.91	1090	15	3370	11.00	2470	15	3370			
		2400	123	288	2569	1.4	19.57	5.25	1270	15	3370	11.00	2470	15	3370			
		2400	123	288	2569	1.4	19.57	5.69	1270	15	3370	11.00	2470	15	3370			
		2400	146	242	2162	1.7	16.46	5.47	1320	15	3370	11.00	2470	15	3370			
		2400	146	242	2162	1.7	16.46	5.93	1320	15	3370	11.00	2470	15	3370			
		2400	156	226	2019	1.9	15.38	5.43	1320	15	3370	10.91	2470	15	3370			
		2400	156	226	2019	1.9	15.38	5.89	1320	15	3370	10.91	2470	15	3370			
		2400	176	201	1794	2.0	13.67	5.48	1330	15	3370	10.55	2460	15	3370			
		2400	176	201	1794	2.0	13.67	5.94	1330	15	3370	10.55	2460	15	3370			
		2400	189	187	1665	2.3	12.68	5.64	1370	15	3370	10.35	2410	15	3370			
		2400	189	187	1665	2.3	12.68	6.11	1370	15	3370	10.35	2410	15	3370			
		2400	213	166	1477	2.5	11.25	5.71	1390	15	3370	10.01	2330	15	3370			
		2400	213	166	1477	2.5	11.25	6.19	1390	15	3370	10.01	2330	15	3370			
		2400	239	148	1318	2.7	10.04	5.74	1400	15	3370	9.69	2260	15	3370			
		2400	239	148	1318	2.7	10.04	6.23	1400	15	3370	9.69	2260	15	3370			
		2400	269	131	1172	2.8	8.92	5.69	1380	15	3370	9.36	2180	15	3370			
		2400	269	131	1172	2.8	8.92	6.17	1380	15	3370	9.36	2180	15	3370			
		2400	294	120	1071	3.0	8.15	5.81	1410	15	3370	9.14	2130	15	3370			
		2400	294	120	1071	3.0	8.15	6.30	1410	15	3370	9.14	2130	15	3370			
		2400	320	110	983	3.2	7.49	5.82	1420	15	3370	8.92	2080	15	3370			
		2400	320	110	983	3.2	7.49	6.31	1420	15	3370	8.92	2080	15	3370			
		2400	381	92.8	827	3.4	6.30	5.69	1290	15	3370	8.47	1950	15	3370			
		2400	381	92.8	827	3.4	6.30	6.17	1290	15	3370	8.47	1950	15	3370			
		2400	408	86.6	773	3.5	5.88	5.59	1360	14.87	3340	8.28	1930	14.87	3340			
		2400	408	86.6	773	3.5	5.88	6.07	1360	14.87	3340	8.28	1930	14.87	3340			
		2400	459	77.0	687	3.5	5.23	5.48	1330	14.08	3160	7.99	1860	14.08	3160			
		2400	459	77.0	687	3.5	5.23	5.94	1330	14.08	3160	7.99	1860	14.08	3160			
		2400	512	69.0	615	3.6	4.69	5.36	1300	13.33	3000	7.72	1800	13.33	3000			
		2400	512	69.0	615	3.6	4.69	5.81	1300	13.33	3000	7.72	1800	13.33	3000			
		2400	568	62.2	555	3.7	4.22	5.25	1280	12.69	2850	7.47	1740	12.69	2850			
		2400	568	62.2	555	3.7	4.22	5.69	1280	12.69	2850	7.47	1740	12.69	2850			
2400	627	56.4	503	3.9	3.83	5.14	1250	12.12	2720	7.24	1690	12.12	2720					
2400	627	56.4	503	3.9	3.83	5.57	1250	12.12	2720	7.24	1690	12.12	2720					
2400	734	48.1	429	3.9	3.27	4.95	1210	11.28	2540	6.89	1600	11.28	2540					
2400	734	48.1	429	3.9	3.27	5.37	1210	11.28	2540	6.89	1600	11.28	2540					
2400	821	43.0	384	4.0	2.92	4.82	1170	10.74	2410	6.65	1550	10.74	2410					
2400	821	43.0	384	4.0	2.92	5.22	1170	10.74	2410	6.65	1550	10.74	2410					

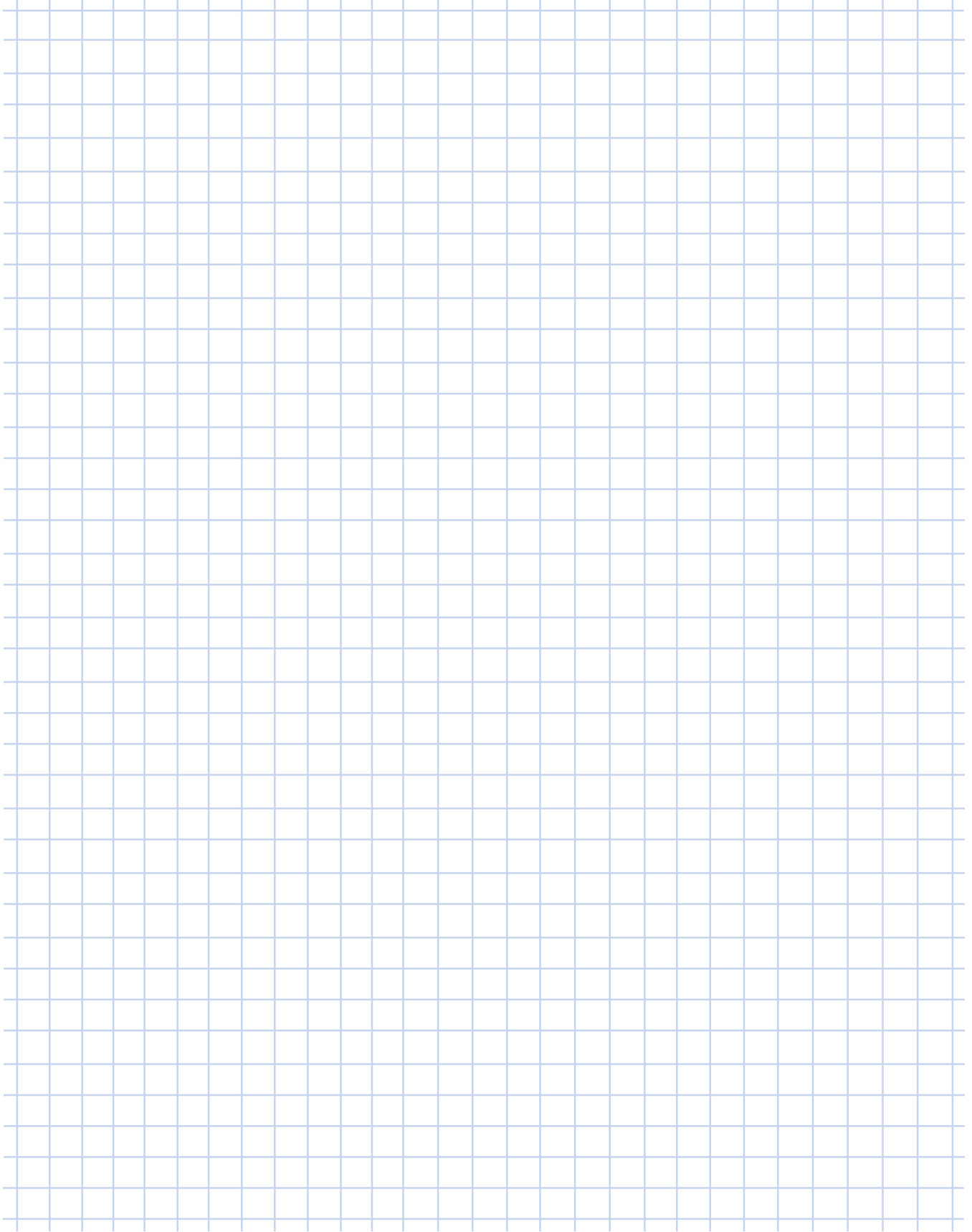
3.70 kW / 5.00 hp

TEFC

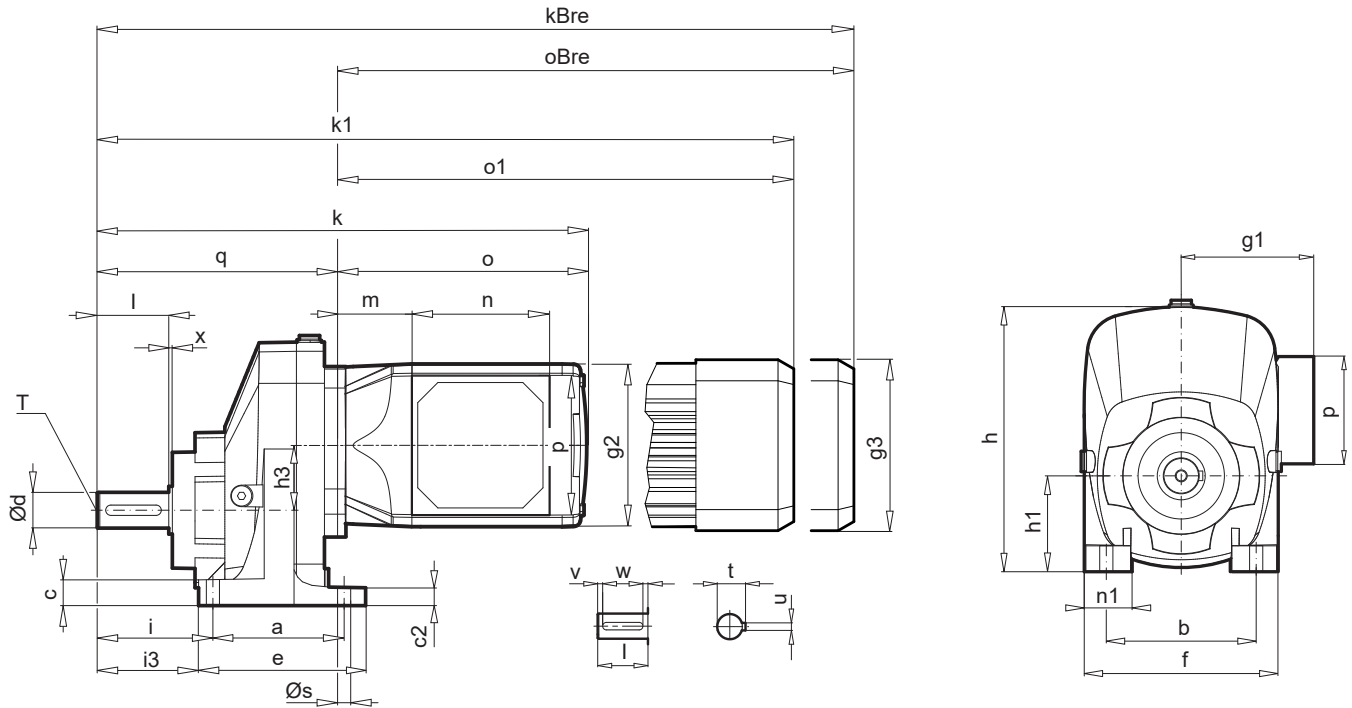


NORDBLOC.1®
Helical in-line gear units

P_1		n_1 n_2		M_2		f_B	i_{tot}	F_R / F_A				F_{RVL} / F_{AVL}				Model type	📦	
[kW]	[hp]	[rpm]	[rpm]	[Nm]	[lb-in]			F_R	F_A		F_{RVL}	F_{AVL}		[kg]	[lb]			
								[kN]	[lb]	[kN]	[lb]	[kN]	[lb]	[kN]	[lb]			
3.70	5.00	2400	145	243	2166	0.8	16.50	0	0	10.12	2270	5.67	1270	10.12	2270	SK 372.1 - 90 F4/8	22.6	49.8
		2400	208	170	1517	1.1	11.55	1.28	280	9.64	2160	5.35	1200	9.64	2160			
		2400	233	151	1350	1.3	10.28	1.47	320	9.38	2110	5.20	1170	9.38	2110			
		2400	255	138	1234	1.4	9.40	1.73	380	9.24	2070	5.11	1150	9.24	2070			
		2400	292	121	1080	1.5	8.22	1.95	430	8.97	2020	4.96	1110	8.97	2020			
		2400	332	106	949	1.6	7.23	2.11	470	8.71	1960	4.81	1080	8.71	1960			
		2400	348	101	905	1.7	6.89	2.22	490	8.63	1940	4.76	1070	8.63	1940			
		2400	365	96.9	864	1.7	6.58	2.32	520	8.56	1920	4.72	1060	8.56	1920			
		2400	403	87.6	781	1.8	5.95	2.34	520	8.33	1870	4.59	1030	8.33	1870			
		2400	458	77.2	688	2.1	5.24	2.38	530	8.01	1800	4.43	1000	8.01	1800			
		2400	515	68.7	612	2.0	4.66	2.40	540	7.58	1700	4.29	960	7.58	1700			
		2400	574	61.6	549	2.1	4.18	2.40	540	7.21	1620	4.15	930	7.21	1620			
		2400	636	55.6	496	2.2	3.78	2.40	540	6.89	1550	4.03	910	6.89	1550			
		2400	701	50.4	450	2.2	3.43	2.39	530	6.60	1480	3.92	880	6.60	1480			
		2400	768	46.0	410	2.2	3.12	2.37	530	6.35	1430	3.81	860	6.35	1430			
		2400	840	42.1	375	2.1	2.86	2.35	530	6.11	1370	3.71	830	6.11	1370			
		2400	914	38.6	345	2.3	2.62	2.32	520	5.90	1330	3.62	810	5.90	1330			

A large grid area for taking notes, consisting of a 20x20 grid of small squares. The grid is light blue and occupies most of the page.

SK 071.1 - SK 771.1



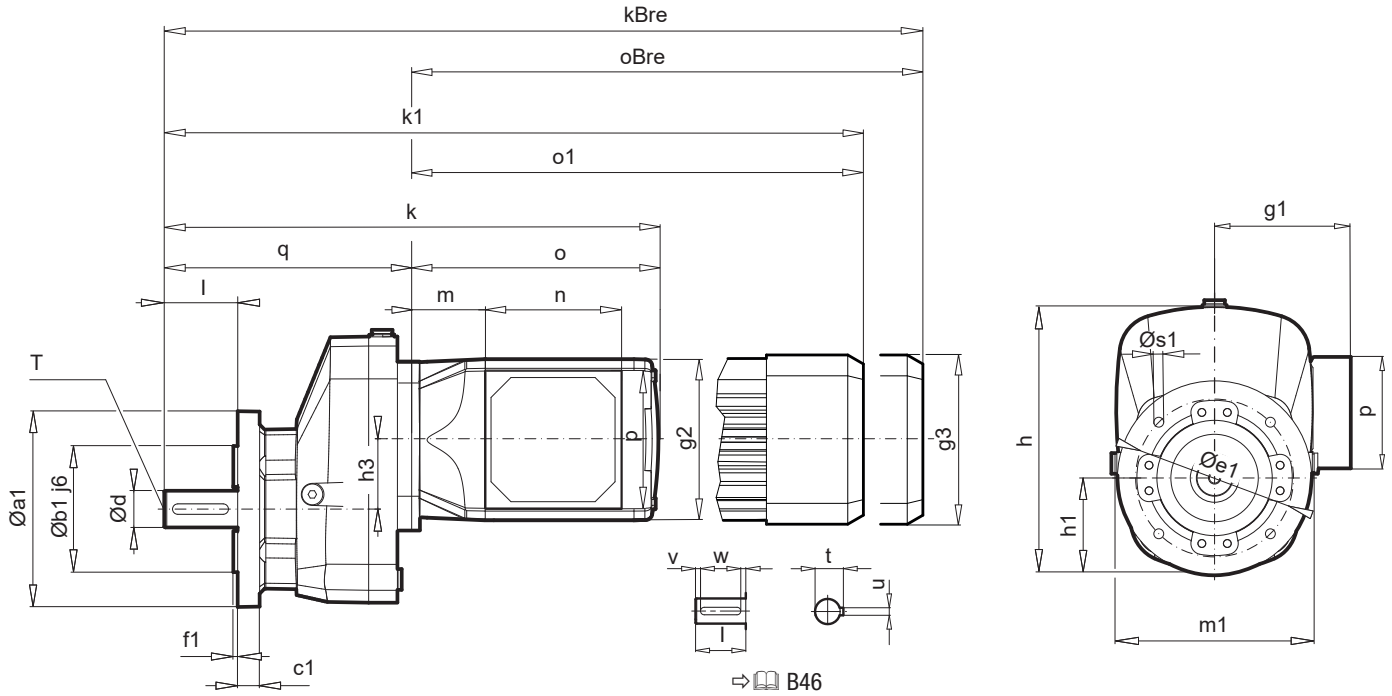
Type	Ød ^{k6}	l	t	u	v	w	a	c	c2	e	h3	i	i3	n	p	Øs	T	x	b	f	h	h1	n1
SK 071.1	15	30	17.0	5	2.5	25	80	18.0	15	95	31.5	59	51.0	105	105	7	M5	2	110	136	148.5	50	28
SK 171.1	20	40	22.5	6	4.0	32	80	15.0	13	98	39.0	68	58.5	105	105	9	M6	2	110	136	164.0	58	30
SK 371.1	35	50	28.0	8	5.0	40	110	16.6	14	130	45.0	78	67.5	105	105	9	M10	2	110	130	174.0	66	33
SK 571.1	30	60	33.0	8	5.0	50	110	21.6	15	140	57.5	97	85.0	105	105	11	M10	3	125	162	221.0	80	40
SK 771.1	40	80	43.0	12	8.0	70	145	26.2	20	173	77.0	120	106	105	105	13	M16	3	145	184	255.5	95	49

Type	71 N1, N2, N3 /8								90 N1, N2, N3 /8							
	q	m	k	o	kBRE	oBRE	g1	g2	m	k	o	kBRE	oBRE	g1	g2	
SK 071.1	130	54.6	319	189	364	234	122	125	51.5	367	237	422	291	137	155	
SK 171.1	149	54.6	338	189	383	234	122	125	51.5	386	237	441	291	137	155	
SK 371.1	183	60.6	378	195	423	240	122	125	78.5	457	264	502	318	137	155	
SK 571.1	202	60.6	396	195	441	240	122	125	78.5	466	264	521	318	137	155	
SK 771.1	251	60.6	446	195	491	240	122	125	78.5	515	264	570	318	137	155	

Type	71 F1, F2, F3, F4 ¹⁾ /8								90 F1, F2, F3 ¹⁾ , F4 ¹⁾ /8							
	q	m	k1	o1	kBRE	oBRE	g1	g3	m	k1	o1	kBRE	oBRE	g1	g3	
SK 071.1	130	54.5	375	245	412	282	122	132	51.5	403	273	456	326	137	162	
SK 171.1	149	54.5	394	245	431	282	122	132	51.5	422	279	475	326	137	162	
SK 371.1	183	60.5	434	251	471	288	122	132	78.5	483	300	536	353	137	162	
SK 571.1	202	60.5	453	251	490	288	122	132	78.5	502	300	555	353	137	162	
SK 771.1	251	60.5	502	251	539	288	122	132	78.5	551	300	604	353	137	162	

1) 71 F4/8 + 27 mm . 90 F3/8, F4/8 + 40 mm

All specifications in mm, unless marked otherwise.



Type	Øa1	Øb1	c1	e1	f1	Øs1	Type	Ød ^{k6}	h	h1	h3	l	m1	n	p	T
SK 071.1 F SK 171.1 F SK 371.1 F	120	80	8	100	3.0	4 x 6.6	SK 071.1 F	15	147.0	48.5	31.5	30	136	105	105	M5
SK 071.1 F SK 171.1 F SK 371.1 F	140	95	8	115	3.0	4 x 9.0	SK 171.1 F	20	162.5	56.5	39.0	40	136	105	105	M6
SK 071.1 F SK 171.1 F SK 371.1 F SK 571.1 F SK 771.1 F	160	110	10	130	3.5	4 x 9.0	SK 371.1 F	25	173.0	65.0	45.0	50	130	105	105	M10
SK 171.1 F SK 371.1 F SK 571.1 F SK 771.1 F	200	130	12	165	3.5	4 x 11.0	SK 571.1 F	30	217.5	76.5	57.5	60	162	105	105	M10
SK 571.1 F SK 771.1 F	250	180	15	215	3.5	4 x 13.5	SK 771.1 F	40	253.5	93.0	77.0	80	184	105	105	M16

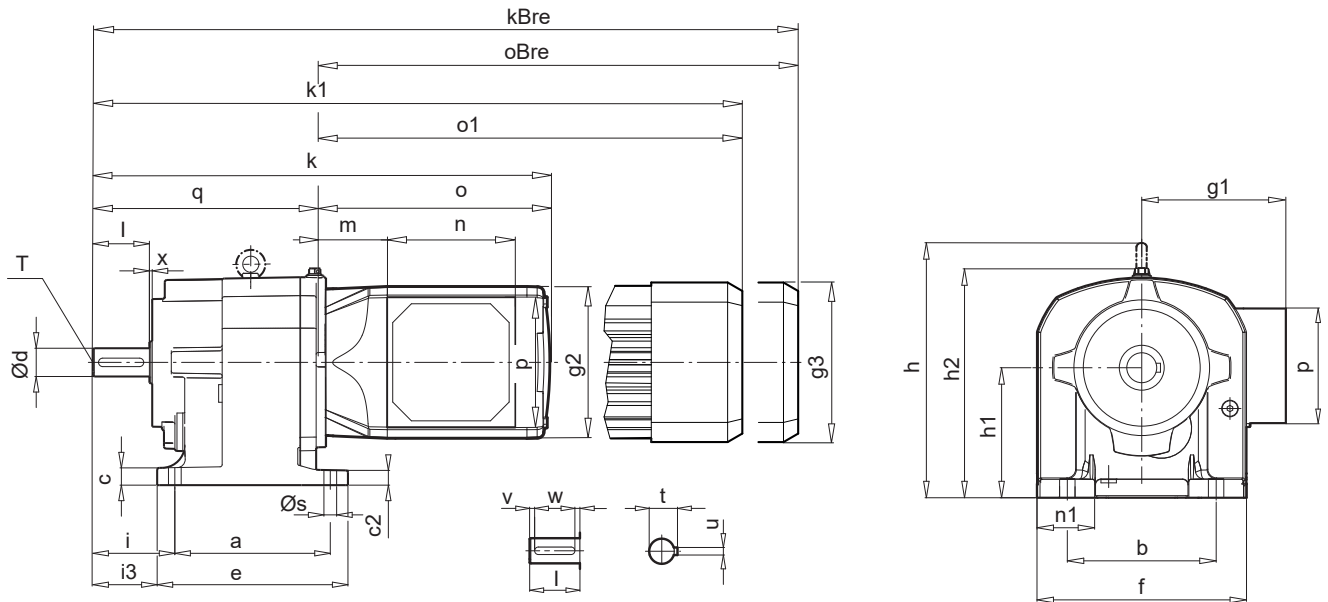
Type	q	71 N1, N2, N3 / 8						90 N1, N2, N3 / 8							
		m	k	o	kBRE	oBRE	g1	g2	m	k	o	kBRE	oBRE	g1	g2
SK 071.1 F	130	54.6	319	189	364	234	122	125	51.5	367	237	422	291	137	155
SK 171.1 F	149	54.6	338	189	383	234	122	125	51.5	386	237	441	291	137	155
SK 371.1 F	183	60.6	378	195	423	240	122	125	78.5	457	264	502	318	137	155
SK 571.1 F	202	60.6	396	195	441	240	122	125	78.5	466	264	521	318	137	155
SK 771.1 F	251	60.6	446	195	491	240	122	125	78.5	515	264	570	318	137	155

Type	q	71 F1, F2, F3, F4 ¹⁾ / 8						90 F1, F2, F3 ¹⁾ , F4 ¹⁾ / 8							
		m	k1	o1	kBRE	oBRE	g1	g3	m	k1	o1	kBRE	oBRE	g1	g3
SK 071.1 F	130	54.5	375	245	412	282	122	132	51.5	403	273	456	326	137	162
SK 171.1 F	149	54.5	394	245	431	282	122	132	51.5	422	279	475	326	137	162
SK 371.1 F	183	60.5	434	251	471	288	122	132	78.5	483	300	536	353	137	162
SK 571.1 F	202	60.5	453	251	490	288	122	132	78.5	502	300	555	353	137	162
SK 771.1 F	251	60.5	502	251	539	288	122	132	78.5	551	300	604	353	137	162

All specifications in mm, unless marked otherwise.

1) 71 F4/8 + 27 mm . 90 F3/8, F4/8 + 40 mm

SK 172.1 - SK 773.1



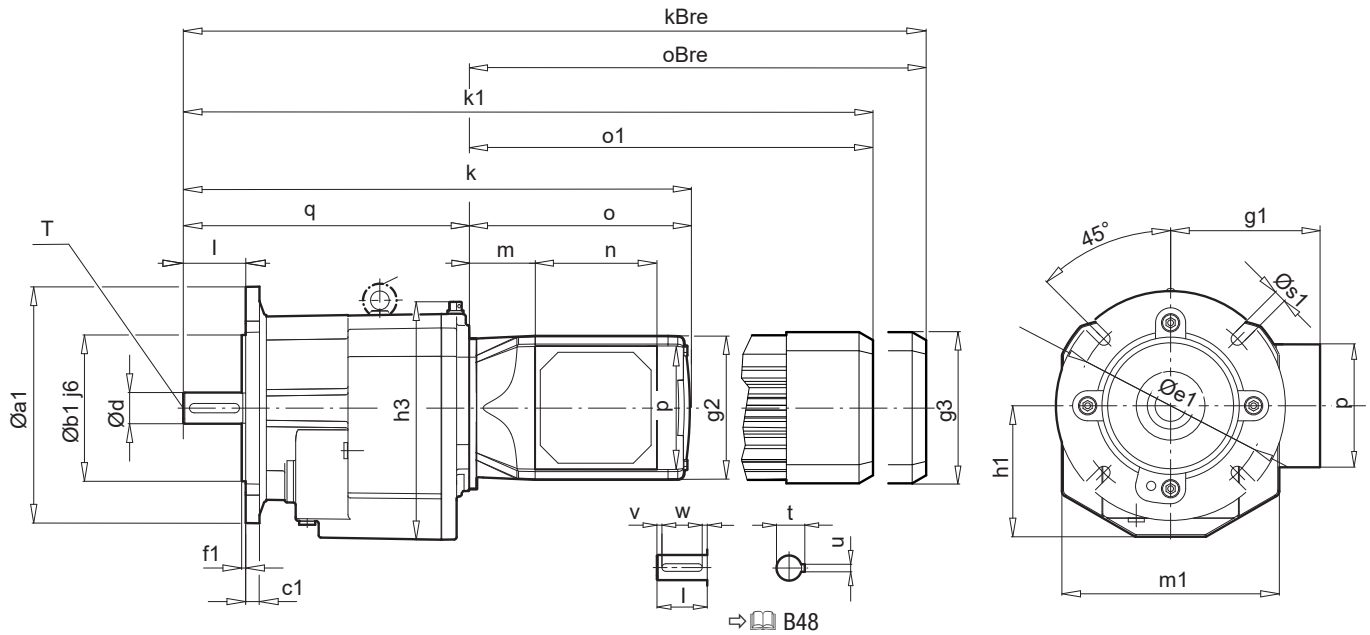
Type	Ød ^{k6}	l	t	u	v	w	a	c	c2	e	i	i3	n	p	Øs	T	x	b	f	h	h2	h1	n1
SK 172.1	20	40	22.5	6	4	32	110	11	9	135	58	45.5	105	105	9	M6	2	110	140	-	142	75	32.5
SK 372.1	25	50	28	8	5	40	130	15	11.5	160	75	60	105	105	9	M10	3	110	150	-	168	90	36
SK 373.1	25	50	28	8	5	40	130	15	11.5	160	75	60	105	105	9	M10	3	110	150	-	168	90	36
SK 572.1	30	60	33	8	7	50	165	16.6	13.5	200	90	72.5	105	105	14	M10	4	135	190	-	208	115	50
SK 572.1	35	70	38	10	5	60	165	16.6	13.5	200	100	82.5	105	105	14	M12	4	135	190	-	208	115	50
SK 573.1	30	60	33	8	7	50	165	16.6	13.5	200	90	72.5	105	105	14	M10	4	135	190	-	208	115	50
SK 573.1	35	70	38	10	5	60	165	16.6	13.5	200	100	82.5	105	105	14	M12	4	135	190	-	208	115	50
SK 672.1	35	70	38	10	5	60	195	27	17	235	100	80	105	105	14	M12	4	150	210	-	232	130	55
SK 673.1	35	70	38	10	5	60	195	27	17	235	100	80	105	105	14	M12	4	150	210	-	232	130	55
SK 773.1	40	80	43	12	5	70	205	25	25	245	115	95	105	105	17.5	M16	4	170	237	284	240	140	71

Type	q	71 N1, N2, N3 /8						90 N1, N2, N3 /8							
		m	k	o	kBRE	oBRE	g1	g2	m	k	o	kBRE	oBRE	g1	g2
SK 172.1	165	54.6	354	189	399	234	122	125	36.5	388	223	443	276	137	155
SK 372.1	218	60.6	413	195	458	240	122	125	78.5	482	265	537	318	137	155
SK 373.1	218	60.6	413	195	458	240	122	125	78.5	482	265	537	318	137	155
SK 572.1	255	60.6	449	195	494	240	122	125	78.5	519	255	574	318	137	155
SK 572.1	265	60.6	459	195	504	240	122	125	78.5	529	265	584	318	137	155
SK 573.1	255	60.6	449	195	494	240	122	125	78.5	519	255	574	318	137	155
SK 573.1	265	60.6	459	195	504	240	122	125	78.5	529	265	584	318	137	155
SK 672.1	285	60.6	480	195	525	240	122	125	78.5	550	265	604	318	137	155
SK 673.1	285	60.6	480	195	525	240	122	125	78.5	550	265	604	318	137	155
SK 773.1	280	55.0	469	189	514	234	122	125							

Type	q	71 F1, F2, F3, F4 ¹⁾ /8						90 F1, F2, F3 ¹⁾ , F4 ¹⁾ /8							
		m	k	o	kBRE	oBRE	g1	g3	m	k1	o1	kBRE	oBRE	g1	g3
SK 172.1	165	54.5	411	245	448	282	122	132	36.5	424	258	477	311	137	162
SK 372.1	218	60.5	469	251	506	288	122	132	78.5	518	300	571	353	137	162
SK 373.1	218	60.5	469	251	506	288	122	132	78.5	518	300	571	353	137	162
SK 572.1	255	60.5	506	251	543	288	122	132	78.5	555	300	608	353	137	162
SK 572.1	265	60.5	516	251	553	288	122	132	78.5	565	300	618	353	137	162
SK 573.1	255	60.5	506	251	543	288	122	132	78.5	555	300	608	353	137	162
SK 573.1	265	60.5	516	251	553	288	122	132	78.5	565	300	618	353	137	162
SK 672.1	285	60.5	537	251	574	288	122	132	78.5	585	300	638	353	137	162
SK 673.1	285	69.5	536	251	573	288	122	132	78.5	585	300	638	353	137	162
SK 773.1	280	54.9	526	246	562	282	122	132							

1) 71 F4/8 + 27 mm . 90 F3/8, F4/8 + 40 mm

All specifications in mm, unless marked otherwise.



Type								Øa1	Øb1	c1	e1	f1	Øs1
SK 172.1 F	SK 372.1 F	SK 373.1 F						120	80	8	100	3.0	4 x 6.6
SK 172.1 F	SK 372.1 F	SK 373.1 F	SK 572.1 F	SK 573.1 F				140	95	10	115	3.5	4 x 9
SK 172.1 F	SK 372.1 F	SK 373.1 F	SK 572.1 F	SK 573.1 F				160	110	10	130	3.5	4 x 9
SK 172.1 F	SK 372.1 F	SK 373.1 F	SK 572.1 F	SK 573.1 F	SK 672.1 F	SK 673.1 F	SK 773.1 F*	200	130	12(16*)	165	3.5(4*)	4 x 11
	SK 372.1 F	SK 373.1 F	SK 572.1 F	SK 573.1 F	SK 672.1 F*	SK 673.1 F*	SK 773.1 F	250	180	15(16*)	215	4.0	4 x 13.5(14*)
			SK 572.1 F	SK 573.1 F			SK 773.1 F*	300	230	15(18*)	265	4.0	4 x 14(13.5*)

Type	h1	h3	l	m1	n	p	T
SK 172.1 F	73.5	140	40	140	105	105	M6
SK 372.1 F	90	167	50	150	105	105	M10
SK 373.1 F	90	167	50	150	105	105	M10
SK 572.1 F	114.5	207	60	190	105	105	M10
SK 572.1 F	114.5	207	70	190	105	105	M12
SK 573.1 F	114.5	207	60	190	105	105	M10
SK 573.1 F	114.5	207	70	190	105	105	M12
SK 672.1 F	129	231	70	210	105	105	M12
SK 673.1 F	129	231	70	210	105	105	M12
SK 773.1 F	139.5	245	80	237	105	105	M16

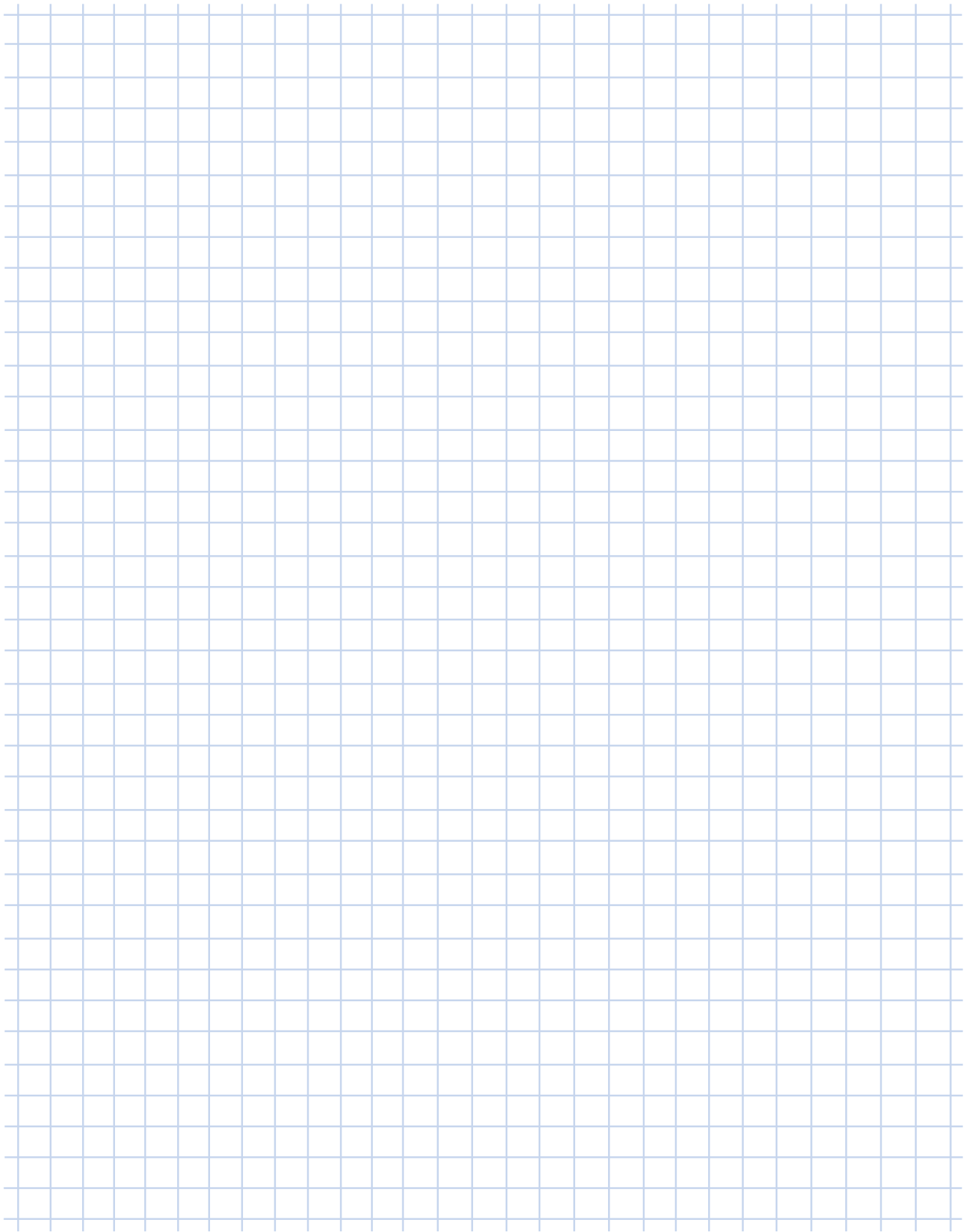
Type	q	71 N1, N2, N3 /8						90 N1, N2, N3 /8							
		m	k	o	kBRE	oBRE	g1	g2	m	k	o	kBRE	oBRE	g1	g2
SK 172.1 F	165	54.6	354	189	399	234	122	125	51.5	403	237	458	291	137	155
SK 372.1 F	246	60.6	441	195	486	240	122	125	78.5	510	264	565	318	137	155
SK 373.1 F	246	60.6	441	195	486	240	122	125	78.5	510	264	565	318	137	155
SK 572.1 F	288	60.6	482	195	527	240	122	125	78.5	552	264	607	318	137	155
SK 572.1 F	298	60.6	492	195	537	240	122	125	78.5	562	264	617	318	137	155
SK 573.1 F	288	60.6	482	195	527	240	122	125	78.5	552	264	607	318	137	155
SK 573.1 F	298	60.6	492	195	537	240	122	125	78.5	562	264	617	318	137	155
SK 672.1 F	285	60.6	480	195	525	240	122	125	78.5	550	264	605	318	137	155
SK 673.1 F	285	60.6	480	195	525	240	122	125	78.5	549	264	604	318	137	155
SK 773.1 F	280	55	469	189	514	234	122	125							

Type	q	71 F1, F2, F3, F4 ¹⁾ /8						90 F1, F2, F3 ¹⁾ , F4 ¹⁾ /8							
		m	k1	o1	kBRE	oBRE	g1	g3	m	k1	o1	kBRE	oBRE	g1	g3
SK 172.1 F	165	54.5	411	245	448	282	122	132	51.5	439	273	492	326	137	162
SK 372.1 F	246	60.5	497	251	534	288	122	132	78.5	546	300	599	353	137	162
SK 373.1 F	246	60.5	497	251	534	288	122	132	78.5	546	300	599	353	137	162
SK 572.1 F	288	60.5	539	251	576	288	122	132	78.5	588	300	641	353	137	162
SK 572.1 F	298	60.5	549	251	586	288	122	132	78.5	598	300	651	353	137	162
SK 573.1 F	288	60.5	539	251	576	288	122	132	78.5	588	300	641	353	137	162
SK 573.1 F	298	60.5	549	251	586	288	122	132	78.5	598	300	651	353	137	162
SK 672.1 F	285	60.5	537	251	574	288	122	132	78.5	585	300	638	353	137	162
SK 673.1 F	285	60.6	536	251	573	288	122	132	78.5	585	300	638	353	137	162
SK 773.1 F	280	54.9	526	246	562	282	122	132							

All specifications in mm, unless marked otherwise.

1) 71 F4/8 + 27 mm . 90 F3/8, F4/8 + 40 mm

Notes

A large grid area for taking notes, consisting of a 20x20 grid of small squares.

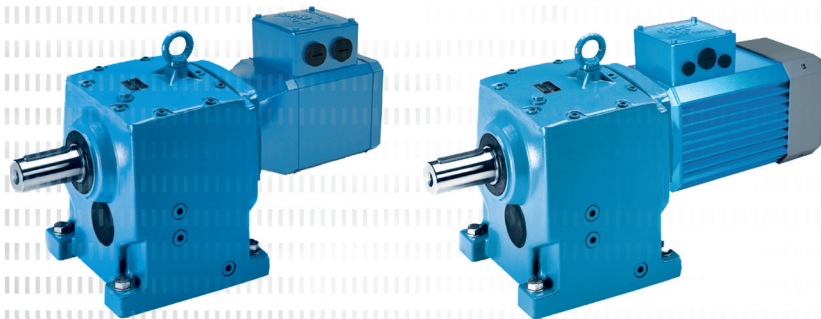
Helical gear units

Geared motor data

C 2 - 18

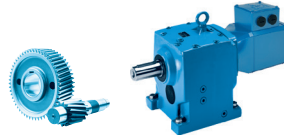
Dimensioned drawings

C 20 - 26




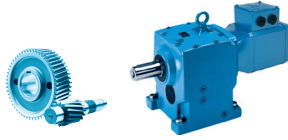
0.35 kW / 0.46 hp


TENV

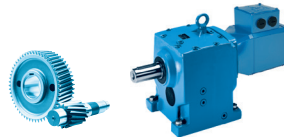


Helical gear units

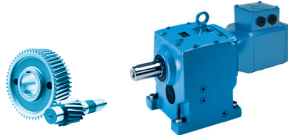
P ₁		n ₁	n ₂	M ₂		f _B	i _{tot}	F _R /F _A				F _{RVL} /F _{AVL}				Model type	 [kg] [lb]	
								F _R	F _A	F _{RVL}	F _{AVL}	F _R	F _A	F _{RVL}	F _{AVL}			
[kW]	[hp]	[rpm]		[Nm]	[lb-in]			[kN]	[lb]	[kN]	[lb]	[kN]	[lb]	[kN]	[lb]			
0.35	0.46	2100	2.9	1160	10060	1.4	728.20	13.3	3160	23.8	5340	19.1	19.10	19.1	19.10	SK 53 - 71 N1/8	97.9	215.8
		2100	3.5	966	8379	1.9	607.30	13.6	3220	23.8	5340	19.3	19.31	19.3	19.31			
		2100	3.8	873	7574	2.2	548.89	13.8	3250	23.8	5340	19.4	19.39	19.4	19.39			
		2100	4.2	795	6893	2.4	498.82	13.8	3270	23.8	5340	19.5	19.45	19.5	19.45			
		2100	5.4	624	5416	2.9	392.20	14.0	3310	23.8	5340	19.6	19.57	19.6	19.57			
		2100	5.6	596	5170	3.2	374.25	14.0	3310	23.8	5340	19.6	19.59	19.6	19.59			
		2100	7.1	468	4062	4.8	294.26	14.1	3330	23.8	5340	19.7	19.65	19.7	19.65			
		2100	8.5	391	3392	4.8	245.56	14.2	3340	23.8	5340	19.7	19.69	19.7	19.69			
2100		2.7		1215	10540	0.8	764.03	0.0	0	12.0	2700	0.0	0	0.0	0	SK 43 - 71 N1/8	64.9	143.1
		3.4		984	8539	1.1	618.76	0.0	0	12.0	2700	0.0	0	0.0	0			
		4.0		840	7290	1.2	528.37	0.0	0	12.0	2700	6.8	6.84	6.8	6.84			
		5.0		670	5815	1.8	421.11	2.8	890	12.0	2700	8.5	8.52	8.5	8.52			
		5.8		572	4965	2.2	359.59	10.6	2400	12.0	2700	9.1	9.13	9.1	9.13			
		7.0		475	4123	2.4	298.80	10.9	2470	12.0	2700	9.7	9.65	9.7	9.65			
		7.5		443	3845	2.9	278.51	11.0	2490	12.0	2700	9.8	9.82	9.8	9.82			
		8.0		420	3645	3.0	263.93	11.1	2500	12.0	2700	9.9	9.93	9.9	9.93			
		9.1		368	3193	3.0	231.43	11.2	2530	12.0	2700	10.2	10.16	10.2	10.16			
		9.6		349	3027	3.4	219.32	11.2	2550	12.0	2700	10.2	10.24	10.2	10.24			
		10		325	2823	4.0	204.42	11.3	2560	12.0	2700	10.3	10.34	10.3	10.34			
		11		291	2524	3.5	182.76	11.4	2580	12.0	2700	10.5	10.45	10.5	10.45			
		12		270	2344	4.3	169.86	11.4	2590	12.0	2700	10.6	10.55	10.6	10.55			
		15		225	1955	4.7	141.55	11.4	2590	12.0	2700	10.7	10.69	10.7	10.69			
		2100		4.0		834	7231	0.8	524.08	0.0	0	9.0	2020	6.0	5.98			
5.0				670	5814	1.0	421.32	0.5	330	9.0	2020	8.7	8.71	8.7	8.71			
6.2				540	4681	1.2	339.15	6.2	1380	9.0	2020	9.0	8.98	9.0	8.98			
8.5				395	3427	1.7	248.17	6.5	1450	9.0	2020	9.2	9.20	9.2	9.20			
10				329	2857	2.0	207.10	6.6	1470	9.0	2020	9.3	9.28	9.3	9.28			
13				265	2297	2.5	166.49	6.7	1490	9.0	2020	9.3	9.34	9.3	9.34			
16				213	1850	3.1	134.02	6.8	1500	9.0	2020	9.4	9.38	9.4	9.38			
19				179	1549	3.1	112.18	6.8	1500	9.0	2020	9.4	9.40	9.4	9.40			
24				141	1219	3.8	88.18	6.8	1510	9.0	2020	9.4	9.42	9.4	9.42			
2100		26		129	1122	4.0	81.27	6.8	1510	9.0	2020	9.4	9.42	9.4	9.42	SK 32 - 71 N1/8	34.9	76.9
		29		116	1004	4.8	72.76	6.9	1510	9.0	2020	9.4	9.43	9.4	9.43			
2100		8.0		417	3616	0.8	262.24	3.0	810	5.6	1260	6.5	6.46	6.5	6.46	SK 23 - 71 N1/8	31.9	70.3
		9.7		346	3004	1.0	217.73	4.5	910	5.6	1260	6.8	6.80	6.8	6.80			
		12		286	2480	1.1	179.50	4.8	970	5.6	1260	7.0	7.02	7.0	7.02			
		14		241	2086	1.2	151.44	5.0	1010	5.6	1260	7.2	7.16	7.2	7.16			
		17		198	1713	1.7	124.17	5.1	1040	5.6	1260	7.3	7.27	7.3	7.27			
		21		160	1388	2.1	100.6	5.3	1060	5.6	1260	7.3	7.34	7.3	7.34			
		24		140	1218	2.4	88.45	5.3	1070	5.6	1260	7.4	7.38	7.4	7.38			
		27		124	1077	2.7	78.05	5.3	1080	5.6	1260	7.4	7.4	7.4	7.40			
32		103	895	3.3	64.80	5.4	1080	5.6	1260	7.4	7.43	7.4	7.43					




P_1		n_1	n_2	M_2		f_B	i_{tot}	F_R / F_A				F_{RVL} / F_{AVL}				Model type	 [kg] [lb]				
[kW]	[hp]							[Nm]	[lb-in]	F_R	[lb]	F_A	[kN]	[lb]	F_{RVL}				[lb]	F_{AVL}	[kN]
0.35	0.46	2100	24	137	1191	1.8	86.30	5.3	1070	5.6	1260	7.4	7.38	7.4	7.38	SK 22 - 71 N1/8	23.9	52.7			
		2100	30	111	963	2.4	69.81	5.4	1080	5.6	1260	7.4	7.42	7.4	7.42						
		2100	38	87.9	763	3.6	55.28	5.4	1090	5.6	1260	7.4	7.44	7.4	7.44						
		2100	46	73.1	634	4.0	45.90	5.2	1090	5.6	1260	7.5	7.46	7.5	7.46						
		2100	49	68.1	591	5.0	42.82	5.1	1090	5.6	1260	7.5	7.46	7.5	7.46						
	2100	19	173	1501	1	108.72	3.2	690	3.9	880	4.8	4.76	4.8	4.76	SK 13 - 71 N1/8	19.9	43.9				
		2100	25	136	1181	1.3	85.47	3.4	730	3.9	880	4.9	4.88	4.9				4.88			
		2100	31	109	945	1.8	68.40	3.5	750	3.9	880	5.0	4.96	5.0				4.96			
	2100	39	85.7	743	2.1	53.84	3.5	770	3.9	880	5.0	5.01	5.0	5.01	SK 12 - 71 N1/8	14.9	32.8				
		2100	44	76.2	661	2.3	47.87	3.5	760	3.9	880	5.0	5.02	5.0				5.02			
		2100	49	68.5	595	2.4	43.09	3.4	740	3.9	880	5.0	5.03	5.0				5.03			
		2100	49	68.5	595	2.4	43.09	3.4	740	3.9	880	5.0	5.03	5.0				5.03			
		2100	55	60.9	529	3	38.31	3.3	720	3.9	880	5.0	5.04	5.0				5.04			
		2100	60	55.8	484	2.7	35.07	3.2	700	3.9	880	5.1	5.05	5.1				5.05			
		2100	67	49.6	430	3.3	31.19	3.1	680	3.9	880	5.1	5.06	5.1				5.06			
		2100	72	46.4	403	2.7	29.15	3.0	670	3.9	880	5.1	5.06	5.1				5.06			
		2100	81	41.3	358	3.3	25.92	2.9	650	3.9	880	5.1	5.07	5.1				5.07			
		2100	99	33.9	294	4.9	21.28	2.8	620	3.9	880	5.1	5.07	5.1				5.07			
		2100	39	85.4	741	1	53.68	2.2	500	3.3	740	3.2	3.16	3.2				3.16	SK 02 - 71 N1/8	12.9	28.4
			2100	51	66.1	574	1.5	41.58	2.3	530	3.3	740	3.2	3.24				3.2			
2100			63	53.1	461	1.8	33.42	2.3	540	3.3	740	3.3	3.28	3.3				3.28			
2100	71		47.1	409	2	29.61	2.4	550	3.3	740	3.3	3.29	3.3	3.29							
2100	76		43.8	380	2	27.52	2.4	550	3.3	740	3.3	3.30	3.3	3.30							
2100	86		38.8	337	2.3	24.39	2.4	550	3.3	740	3.3	3.31	3.3	3.31							
2100	91		36.8	319	2.1	23.13	2.4	550	3.3	740	3.3	3.32	3.3	3.32							
2100	102		32.8	284	2.3	20.59	2.4	560	3.3	740	3.3	3.32	3.3	3.32							
2100	132		25.4	220	2.8	15.95	2.3	530	3.3	740	3.3	3.32	3.3	3.32							
2100	164		20.4	177	3.4	12.82	2.2	500	3.3	740	3.1	3.12	3.1	3.12							
2100	187		17.9	155	3.7	11.27	2.1	480	3.3	740	3.0	3.00	3.0	3.00							
2100	211		15.8	137	4	9.95	2.0	460	3.3	740	2.9	2.9	2.9	2.9							
2100	226		14.8	128	4.4	9.28	2.0	450	3.3	740	2.8	2.84	2.8	2.84							
2100	256		13	113	4.8	8.19	1.9	440	3.3	740	2.7	2.73	2.7	2.73							
0.70	0.95		2100	3.5	1932	17310	1	607.3	11.5	2700	23.8	5340	17.9	17.88	17.9	17.88	SK 53 - 71 N2/8	99.0			
		2100	3.8	1746	15640	1.1	548.89	12.1	2830	23.8	5340	18.2	18.24	18.2	18.24						
		2100	4.2	1589	14240	1.2	498.82	12.5	2930	23.8	5340	18.5	18.51	18.5	18.51						
		2100	5.4	1249	11190	1.5	392.20	13.2	3100	23.8	5340	19.0	19.00	19.0	19.00						
		2100	5.6	1192	10680	1.6	374.25	13.3	3130	23.8	5340	19.1	19.06	19.1	19.06						
		2100	7.1	937	8389	2.4	294.26	13.7	3220	23.8	5340	19.3	19.33	19.3	19.33						
		2100	8.5	782	7006	2.4	245.56	13.9	3270	23.8	5340	19.5	19.46	19.5	19.46						
		2100	8.9	753	6746	2.5	236.21	13.9	3270	23.8	5340	19.5	19.48	19.5	19.48						
		2100	11	592	5300	3.1	185.72	14.0	3310	23.8	5340	19.6	19.59	19.6	19.59						
		2100	12	565	5059	3.4	177.22	14.1	3310	23.8	5340	19.6	19.61	19.6	19.61						
2100	15	444	3975	5	139.34	14.1	3330	23.8	5340	19.7	19.66	19.7	19.66								



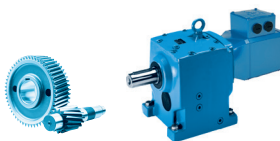
P ₁		n ₁	n ₂	M ₂		f _B	i _{tot}	F _R /F _A				F _{RVL} /F _{AVL}				Model type	📦	
[kW]	[hp]			[Nm]	[lb-in]			F _R	F _A	F _{RVL}	F _{AVL}	[kN]	[lb]	[kN]	[lb]		[kN]	[lb]
0.70	0.95	2100	5.0	1341	12010	0.9	421.11	0.0	0	12.0	2700	0.0	0	0.0	0	SK 43 - 71 N2/8	66.0	145.5
		2100	5.8	1145	10250	1.1	359.59	0.0	0	12.0	2700	0.0	0	0.0	0			
		2100	7.0	951	8515	1.2	298.80	0.0	0	12.0	2700	0.0	0	0.0	0			
		2100	7.5	887	7941	1.4	278.51	0.0	0	12.0	2700	3.9	3.89	3.9	3.89			
		2100	8.0	840	7528	1.5	263.93	0.0	0	12.0	2700	6.8	6.84	6.8	6.84			
		2100	9.1	736	6595	1.5	231.43	0.0	0	12.0	2700	8.0	8.01	8.0	8.01			
		2100	9.6	698	6252	1.7	219.32	0.0	0	12.0	2700	8.3	8.29	8.3	8.29			
		2100	10	651	5830	2.0	204.42	3.8	710	12.0	2700	8.6	8.64	8.6	8.64			
		2100	11	582	5214	1.7	182.76	8.2	1720	12.0	2700	9.0	9.02	9.0	9.02			
		2100	12	541	4842	2.2	169.86	10.7	2410	12.0	2700	9.3	9.30	9.3	9.30			
		2100	15	451	4038	2.3	141.55	10.5	2370	12.0	2700	9.8	9.75	9.8	9.75			
		2100	16	411	3686	3.0	129.38	10.4	2340	12.0	2700	10.0	9.97	10.0	9.97			
		2100	20	342	3061	3.3	107.51	9.9	2230	12.0	2700	10.3	10.27	10.3	10.27			
		2100	22	302	2706	4.1	94.96	9.6	2170	12.0	2700	10.4	10.43	10.4	10.43			
		2100	26	255	2281	4.8	79.96	9.2	2080	12.0	2700	10.6	10.61	10.6	10.61			
2100	8.5	790	7077	0.9	248.17	0.0	0	9.0	2020	8.1	8.08	8.1	8.08	SK 33N - 71 N2/8	45.0	99.2		
		2100	10	659	5901	1.0	207.10	1.3	160	9.0	2020	8.7	8.74				8.7	8.74
		2100	13	530	4744	1.3	166.49	6.2	1370	9.0	2020	9.0	9.00				9.0	9.00
		2100	16	426	3820	1.5	134.02	6.5	1430	9.0	2020	9.2	9.16				9.2	9.16
		2100	19	357	3198	1.5	112.18	6.6	1460	9.0	2020	9.3	9.25				9.3	9.25
		2100	24	281	2517	1.9	88.18	6.7	1480	9.0	2020	9.3	9.32				9.3	9.32
2100	26	259	2317	2.0	81.27	6.7	1490	9.0	2020	9.3	9.34	9.3	9.34	SK 32 - 71 N2/8	36.0	79.4		
		2100	29	231	2073	2.4	72.76	6.6	1460	9.0	2020	9.4	9.37				9.4	9.37
		2100	33	205	1832	3.1	64.26	6.4	1420	9.0	2020	9.4	9.38				9.4	9.38
		2100	37	183	1639	3.3	57.53	6.2	1380	9.0	2020	9.4	9.4				9.4	9.40
		2100	45	147	1320	3.6	46.31	5.9	1300	9.0	2020	9.4	9.42				9.4	9.42
		2100	54	123	1105	3.6	38.76	5.6	1240	9.0	2020	9.4	9.43				9.4	9.43
		2100	64	105	941	3.6	33.05	5.3	1190	9.0	2020	9.4	9.43				9.4	9.43
		2100	17	395	3538	0.9	124.17	2.6	490	5.6	1260	6.6	6.57				6.6	6.57
2100	21			320	2866	1.1	100.6	4.2	840	5.6	1260	6.9	6.9	6.9	6.90			
2100	24			281	2516	1.2	88.45	4.8	970	5.6	1260	7.0	7.04	7.0	7.04			
2100	27			248	2224	1.4	78.05	5.0	1000	5.6	1260	7.1	7.14	7.1	7.14			
2100	32			206	1848	1.6	64.80	5.1	1030	5.6	1260	7.3	7.25	7.3	7.25			
2100	24	275	2459	0.9	86.30	4.8	980	5.6	1260	7.1	7.06	7.1	7.06	SK 22 - 71 N2/8	25.0	55.1		
		2100	30	222	1988	1.2	69.81	5.1	1020	5.6	1260	7.2	7.21				7.2	7.21
		2100	38	176	1575	1.8	55.28	5.0	1050	5.6	1260	7.3	7.31				7.3	7.31
		2100	46	146	1309	2.0	45.90	4.8	1030	5.6	1260	7.4	7.37				7.4	7.37
		2100	49	136	1220	2.5	42.82	4.7	1020	5.6	1260	7.4	7.38				7.4	7.38
		2100	59	113	1014	2.9	35.55	4.5	970	5.6	1260	7.4	7.41				7.4	7.41
		2100	72	93.4	837	3.1	29.31	4.3	920	5.6	1260	7.4	7.44				7.4	7.44
		2100	85	78.6	704	3.1	24.73	4.1	880	5.6	1260	7.5	7.45				7.5	7.45



P_1		n_1	n_2	M_2		f_B	i_{tot}	F_R / F_A				F_{RVL} / F_{AVL}				Model type							
[kW]	[hp]	[rpm]		[Nm]	[lb-in]			F_R	F_A		F_{RVL}	F_{AVL}			[kg]	[lb]							
								[kN]	[lb]	[kN]	[lb]	[kN]	[lb]	[kN]	[lb]								
0.70	0.95	2100	39	171	1535	1	53.84	1.6	320	3.9	880	4.8	4.76	4.8	4.76	SK 12 - 71 N2/8	16.0	35.3					
		2100	44	152	1365	1.2	47.87	2.0	420	3.9	880	4.8	4.83	4.8	4.83								
		2100	49	137	1228	1.2	43.09	2.2	450	3.9	880	4.9	4.88	4.9	4.88								
		2100	49	137	1228	1.2	43.09	2.2	450	3.9	880	4.9	4.88	4.9	4.88								
		2100	55	122	1092	1.5	38.31	2.5	530	3.9	880	4.9	4.92	4.9	4.92								
		2100	60	112	999	1.3	35.07	2.6	540	3.9	880	5.0	4.95	5.0	4.95								
		2100	67	99.2	888	1.7	31.19	2.7	590	3.9	880	5.0	4.98	5.0	4.98								
		2100	72	92.8	831	1.3	29.15	2.7	590	3.9	880	5.0	4.99	5.0	4.99								
		2100	81	82.5	739	1.7	25.92	2.6	580	3.9	880	5.0	5.01	5.0	5.01								
		2100	99	67.7	607	2.5	21.28	2.6	570	3.9	880	5.0	5.04	5.0	5.04								
		2100	112	59.8	536	2.7	18.79	2.5	550	3.9	880	5.1	5.05	5.1	5.05								
		2100	125	53.3	477	2.9	16.73	2.4	540	3.9	880	5.1	5.05	5.1	5.05								
		2100	157	42.6	382	3.5	13.39	2.3	500	3.9	880	5.1	5.06	5.1	5.06								
		2100	197	34	305	3.9	10.7	2.2	480	3.9	880	5.1	5.07	5.1	5.07								
		2100	218	30.7	275	4.4	9.65	2.1	460	3.9	880	5.1	5.07	5.1	5.07								
		2100	246	27.2	244	4.8	8.56	2.0	450	3.8	860	5.1	5.08	5.1	5.08								
				2100	63	106	951	0.9	33.42	1.4	290	3.3	740	3.1	3.06				3.1	3.06	SK 02 - 71 N2/8	14.0	30.9
				2100	71	94.2	844	1	29.61	1.7	390	3.3	740	3.1	3.12				3.1	3.12			
				2100	76	87.6	785	1	27.52	1.8	390	3.3	740	3.2	3.15				3.2	3.15			
				2100	86	77.7	696	1.1	24.39	2.0	460	3.3	740	3.2	3.2				3.2	3.2			
2100	91			73.7	660	1.1	23.13	2.0	450	3.3	740	3.2	3.17	3.2	3.17								
2100	102			65.5	587	1.1	20.59	2.3	510	3.3	740	3.2	3.21	3.2	3.21								
2100	132			50.8	455	1.4	15.95	2.1	480	3.3	740	3.0	3.04	3.0	3.04								
2100	164			40.8	365	1.7	12.82	2.0	460	3.3	740	2.9	2.88	2.9	2.88								
2100	187			35.8	321	1.9	11.27	2.0	440	3.3	740	2.8	2.8	2.8	2.8								
2100	211			31.6	283	2	9.95	1.9	430	3.3	740	2.7	2.72	2.7	2.72								
2100	226			29.5	264	2.2	9.28	1.9	420	3.3	740	2.7	2.66	2.7	2.66								
2100	256			26.1	234	2.4	8.19	1.8	410	3.3	740	2.6	2.58	2.6	2.58								
2100	269			24.8	222	2.5	7.8	1.8	400	3.3	730	2.5	2.54	2.5	2.54								
2100	305			21.9	196	2.8	6.89	1.7	390	3.2	710	2.5	2.46	2.5	2.46								
2100	343			19.5	174	2.9	6.1	1.7	380	3.1	700	2.4	2.4	2.4	2.4								
2100	377			17.7	159	3.2	5.57	1.6	370	3.0	670	2.3	2.32	2.3	2.32								
2100	436			15.3	137	3.7	4.82	1.6	350	2.9	640	2.2	2.22	2.2	2.22								
2100	495			13.5	121	3.9	4.22	1.5	340	2.7	610	2.2	2.15	2.2	2.15								
2100	539			12.4	111	4.3	3.89	1.5	330	2.6	580	2.1	2.09	2.1	2.09								
2100	619			10.8	96.7	4.7	3.38	1.4	320	2.5	550	2.0	2.01	2.0	2.01								
2100	708	9.4	84.6	4.9	2.95	1.4	310	2.3	520	1.9	1.93	1.9	1.93										
1.05	1.40	2100	4.2	2384	20980	0.8	498.82	9.8	2320	23.8	5340	16.8	16.81	16.8	16.81	SK 53 - 71 N3/8	100.0	220.5					
		2100	5.4	1873	16480	1	392.2	11.7	2770	23.8	5340	18.0	18	18.0	18								
		2100	5.6	1788	15730	1.1	374.25	12.0	2830	23.8	5340	18.2	18.16	18.2	18.16								
		2100	7.1	1405	12360	1.6	294.26	12.9	3040	23.8	5340	18.8	18.79	18.8	18.79								
		2100	8.5	1173	10330	1.6	245.56	13.3	3140	23.8	5340	19.1	19.09	19.1	19.09								
		2100	8.9	1130	9941	1.7	236.21	13.4	3160	23.8	5340	19.1	19.14	19.1	19.14								
		2100	11	888	7811	2.1	185.72	13.7	3240	23.8	5340	19.4	19.38	19.4	19.38								
		2100	12	847	7456	2.3	177.22	13.8	3250	23.8	5340	19.4	19.41	19.4	19.41								
		2100	15	666	5858	3.4	139.34	14.0	3300	23.8	5340	19.6	19.55	19.6	19.55								
		2100	20	505	4444	4.4	105.87	14.1	3330	23.8	5340	19.6	19.64	19.6	19.64								
2100	22	456	4009	4.9	95.49	14.1	3330	23.8	5340	19.7	19.66	19.7	19.66										
2100	26	380	3348	4.9	79.69	14.2	3340	23.8	5340	19.7	19.69	19.7	19.69										

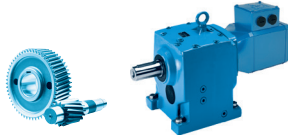
1.05 kW / 1.40 hp

TENV



Helical gear units

P ₁		n ₁	n ₂	M ₂		f _B	i _{tot}	F _R /F _A				F _{RVL} /F _{AVL}				Model type	📦	
[kW]	[hp]			[Nm]	[lb-in]			F _R	F _A	F _{RVL}	F _{AVL}	[kN]	[lb]	[kN]	[lb]		[kN]	[lb]
1.05	1.40	2100	7.0	1426	12550	0.8	298.80	0.0	0	12.0	2700	0.0	0	0.0	0	SK 43 - 71 N3/8	67.0	147.7
		2100	7.5	1330	11700	1.0	278.51	0.0	0	12.0	2700	0.0	0	0.0	0			
		2100	8.0	1261	11090	1.0	263.93	0.0	0	12.0	2700	0.0	0	0.0	0			
		2100	9.1	1104	9719	1.0	231.43	0.0	0	12.0	2700	0.0	0	0.0	0			
		2100	9.6	1047	9213	1.1	219.32	0.0	0	12.0	2700	0.0	0	0.0	0			
		2100	10	976	8592	1.3	204.42	0.0	0	12.0	2700	0.0	0	0.0	0			
		2100	11	873	7683	1.2	182.76	0.0	0	12.0	2700	3.0	2.99	3.0	2.99			
		2100	12	811	7135	1.4	169.86	0.0	0	12.0	2700	7.4	7.41	7.4	7.41			
		2100	15	676	5951	1.6	141.55	0.0	30	12.0	2700	8.4	8.41	8.4	8.41			
		2100	16	617	5432	2.0	129.38	6.8	1600	12.0	2700	8.9	8.85	8.9	8.85			
		2100	20	513	4511	2.2	107.51	9.3	2090	12.0	2700	9.5	9.45	9.5	9.45			
		2100	22	453	3988	2.7	94.96	9.1	2040	12.0	2700	9.8	9.77	9.8	9.77			
		2100	26	382	3362	3.2	79.96	8.7	1970	12.0	2700	10.1	10.11	10.1	10.11			
		2100	30	335	2946	3.8	70.12	8.5	1910	12.0	2700	10.3	10.31	10.3	10.31			
		2100	36	278	2446	4.2	58.27	8.1	1830	12.0	2700	10.5	10.52	10.5	10.52			
2100	43	232	2040	4.5	48.56	7.7	1740	12.0	2700	10.7	10.67	10.7	10.67					
2100	13	794	6991	0.8	166.49	0.0	0	9.0	2020	7.9	7.87	7.9	7.87	SK 33N - 71 N3/8	46.0	101.4		
		2100	16	640	5629	1.0	134.02	1.7	440	9.0	2020	8.8	8.78				8.8	8.78
		2100	19	536	4713	1.0	112.18	6.2	1380	9.0	2020	9.0	8.98				9.0	8.98
		2100	24	422	3710	1.3	88.18	6.2	1380	9.0	2020	9.2	9.16				9.2	9.16
2100	26	388	3415	1.3	81.27	6.2	1390	9.0	2020	9.2	9.21	9.2	9.21	SK 32 - 71 N3/8	37.0	81.6		
		2100	29	347	3055	1.6	72.76	6.1	1360	9.0	2020	9.3	9.26				9.3	9.26
		2100	33	307	2700	2.1	64.26	6.0	1330	9.0	2020	9.3	9.30				9.3	9.30
		2100	37	274	2416	2.2	57.53	5.8	1300	9.0	2020	9.3	9.33				9.3	9.33
		2100	45	221	1945	2.4	46.31	5.5	1230	9.0	2020	9.4	9.37				9.4	9.37
		2100	54	185	1629	2.4	38.76	5.3	1180	9.0	2020	9.4	9.40				9.4	9.40
		2100	64	158	1387	2.4	33.05	5.1	1130	9.0	2020	9.4	9.41				9.4	9.41
		2100	69	145	1279	4.4	30.43	5.0	1130	9.0	2020	9.4	9.42				9.4	9.42
		2100	77	130	1145	4.6	27.24	4.9	1090	9.0	2020	9.4	9.42				9.4	9.42
2100	38	264	2321	1.2	55.28	3.4	710	5.6	1260	7.1	7.09	7.1	7.09	SK 22 - 71 N3/8	26.0	57.3		
		2100	46	219	1929	1.3	45.90	4.0	840	5.6	1260	7.2	7.22				7.2	7.22
		2100	49	204	1798	1.7	42.82	4.4	940	5.6	1260	7.3	7.25				7.3	7.25
		2100	59	170	1494	1.9	35.55	4.2	910	5.6	1260	7.3	7.32				7.3	7.32
		2100	72	140	1233	2.1	29.31	4.0	870	5.6	1260	7.4	7.38				7.4	7.38
		2100	85	118	1037	2.1	24.73	3.9	830	5.6	1260	7.4	7.41				7.4	7.41
		2100	125	79.9	703	4.2	16.75	3.6	770	5.6	1260	7.5	7.45				7.5	7.45
		2100	143	70	616	4.8	14.69	3.5	740	5.6	1260	7.5	7.46				7.5	7.46
2100	44	229	2011	0.8	47.87	0.0	0	3.9	880	4.5	4.50	4.5	4.50	SK 12 - 71 N3/8	17.0	37.5		
		2100	49	206	1810	0.8	43.09	0.0	0	3.9	880	4.6	4.62				4.6	4.62
		2100	49	206	1810	0.8	43.09	0.0	0	3.9	880	4.6	4.62				4.6	4.62
		2100	55	183	1609	1.0	38.31	0.0	0	3.9	880	4.7	4.72				4.7	4.72
		2100	60	167	1472	0.9	35.07	0.1	20	3.9	880	4.8	4.78				4.8	4.78
		2100	67	149	1309	1.1	31.19	0.6	140	3.9	880	4.8	4.84				4.8	4.84

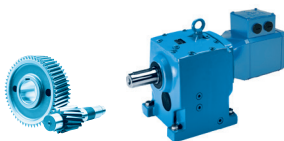


P_1		n_1	n_2	M_2		f_B	i_{tot}	F_R / F_A				F_{RVL} / F_{AVL}				Model type	📦	
[kW]	[hp]			[rpm]	[Nm]			[lb-in]	F_R		F_A		F_{RVL}		F_{AVL}		[kg]	[lb]
								[kN]	[lb]	[kN]	[lb]	[kN]	[lb]	[kN]	[lb]			
1.05	1.4	2100	72	139	1225	0.9	29.15	0.6	140	3.9	880	4.9	4.88	4.9	4.88	SK 12 - 71 N3/8	17.0	37.5
		2100	81	124	1089	1.1	25.92	1.1	240	3.9	880	4.9	4.92	4.9	4.92			
		2100	99	102	894	1.6	21.28	2.2	470	3.9	880	5.0	4.97	5.0	4.97			
		2100	112	89.8	790	1.8	18.79	2.3	510	3.9	880	5.0	5.00	5.0	5.00			
		2100	125	79.9	703	1.9	16.73	2.3	500	3.9	880	5.0	5.02	5.0	5.02			
		2100	157	64.0	563	2.3	13.39	2.2	470	3.9	880	5.0	5.04	5.0	5.04			
		2100	197	51.0	449	2.6	10.7	2.1	450	3.9	870	5.1	5.06	5.1	5.06			
		2100	218	46.1	406	2.9	9.65	2.0	440	3.8	840	5.1	5.06	5.1	5.06			
		2100	246	40.8	359	3.2	8.56	2.0	430	3.7	820	5.1	5.07	5.1	5.07			
		2100	267	37.5	330	3.5	7.85	1.9	420	3.6	800	5.1	5.07	5.1	5.07			
		2100	288	34.8	306	3.6	7.28	1.9	410	3.5	790	5.1	5.07	5.1	5.07			
		2100	321	31.2	275	4.0	6.53	1.8	400	3.4	760	5.1	5.07	5.1	5.07			
		2100	363	27.6	243	4.4	5.79	1.8	390	3.3	740	5.1	5.08	5.1	5.08			
		2100	426	23.6	207	4.9	4.93	1.7	370	3.1	700	5.1	5.08	5.1	5.08			
		2100	86	117	1026	0.8	24.39	0.0	0	3.3	740	2.8	2.76	2.8	2.76	SK 02 - 71 N3/8	15.0	33.1
		2100	102	98.3	865	0.8	20.59	1.1	260	3.3	740	2.9	2.85	2.9	2.85			
		2100	132	76.2	670	0.9	15.95	1.6	370	3.3	740	2.8	2.75	2.8	2.75			
		2100	164	61.2	538	1.1	12.82	1.9	420	3.3	740	2.6	2.64	2.6	2.64			
		2100	187	53.7	472	1.2	11.27	1.8	410	3.3	740	2.6	2.59	2.6	2.59			
		2100	211	47.4	418	1.3	9.95	1.8	400	3.3	730	2.5	2.53	2.5	2.53			
		2100	226	44.3	390	1.5	9.28	1.7	400	3.2	720	2.5	2.48	2.5	2.48			
		2100	256	39.1	344	1.6	8.19	1.7	390	3.1	700	2.4	2.42	2.4	2.42			
		2100	269	37.2	328	1.7	7.80	1.7	380	3.1	690	2.4	2.38	2.4	2.38			
		2100	305	32.9	290	1.9	6.89	1.6	370	3.0	670	2.3	2.32	2.3	2.32			
		2100	343	29.2	257	2.0	6.10	1.6	360	2.9	660	2.3	2.28	2.3	2.28			
		2100	377	26.6	234	2.1	5.57	1.6	350	2.9	640	2.2	2.21	2.2	2.21			
		2100	436	23.0	203	2.5	4.82	1.5	340	2.7	600	2.1	2.12	2.1	2.12			
		2100	495	20.2	178	2.6	4.22	1.5	330	2.6	580	2.1	2.07	2.1	2.07			
2100	539	18.6	164	2.8	3.89	1.4	320	2.5	550	2.0	2.01	2.0	2.01					
2100	619	16.2	143	3.1	3.38	1.4	310	2.3	520	1.9	1.94	1.9	1.94					
2100	708	14.2	125	3.2	2.95	1.3	300	2.2	500	1.9	1.87	1.9	1.87					
1.10	1.5	2100	24	442	3974	1.2	88.18	6.1	1350	9.0	2020	9.1	9.14	9.1	9.14	SK 33N - 90 N1/8	49.0	108
		2100	125	83.7	754	1.8	16.73	2.2	490	3.9	880	5.0	5.01	5.0	5.01			
		2100	157	67.0	603	2.2	13.39	2.1	470	3.9	880	5.0	5.04	5.0	5.04			
		2100	197	53.4	481	2.5	10.70	2.1	450	3.8	860	5.1	5.05	5.1	5.05			
		2100	218	48.3	434	2.8	9.65	2.0	440	3.7	830	5.1	5.06	5.1	5.06			
		2100	246	42.7	385	3.0	8.56	1.9	430	3.6	810	5.1	5.06	5.1	5.06			
		2100	267	39.3	354	3.3	7.85	1.9	420	3.5	790	5.1	5.07	5.1	5.07			
		2100	288	36.5	328	3.4	7.28	1.9	410	3.5	780	5.1	5.07	5.1	5.07			
		2100	321	32.7	294	3.9	6.53	1.8	400	3.4	760	5.1	5.07	5.1	5.07			
		2100	363	28.9	260	4.2	5.79	1.7	380	3.3	730	5.1	5.08	5.1	5.08			
2100	426	24.7	222	4.7	4.93	1.7	370	3.1	690	5.1	5.08	5.1	5.08					


Helical gear units

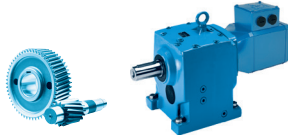
1.10 kW / 1.50 hp
1.50 kW / 2.00 hp


TENV



Helical gear units

P ₁		n ₁	n ₂	M ₂		f _B	i _{tot}	F _R /F _A				F _{RVL} /F _{AVL}				Model type	 [kg] [lb]				
								F _R		F _A		F _{RVL}		F _{AVL}							
[kW]	[hp]	[rpm]		[Nm]	[lb-in]			[kN]	[lb]	[kN]	[lb]	[kN]	[lb]	[kN]	[lb]						
1.10	1.50	2100	211	49.7	447	1.3	9.95	1.8	400	3.2	720	2.5	2.51	2.5	2.51	SK 02 - 90 N1/8	18.0	39.7			
		2100	256	41.0	369	1.5	8.19	1.7	380	3.1	690	2.4	2.40	2.4	2.40						
		2100	305	34.5	310	1.8	6.89	1.6	370	3.0	660	2.3	2.3	2.3	2.30						
		2100	343	30.6	275	1.9	6.10	1.6	360	2.9	650	2.3	2.27	2.3	2.27						
		2100	377	27.9	251	2.0	5.57	1.5	350	2.8	630	2.2	2.20	2.2	2.20						
		2100	436	24.1	217	2.4	4.82	1.5	330	2.7	600	2.1	2.10	2.1	2.10						
		2100	495	21.2	191	2.5	4.22	1.4	330	2.6	570	2.1	2.06	2.1	2.06						
		2100	539	19.5	175	2.7	3.89	1.4	320	2.4	550	2.0	2.00	2.0	2.00						
		2100	619	17.0	153	3.0	3.38	1.4	310	2.3	520	1.9	1.93	1.9	1.93						
		2100	708	14.8	134	3.1	2.95	1.3	300	2.2	490	1.9	1.86	1.9	1.86						
1.50	2.00	2100	125	114	1005	1.3	16.73	1.2	250	3.8	840	4.9	4.94	4.9	4.94	SK 12 - 90 N2/8	20.8	45.9			
		2100	157	91.4	804	1.6	13.39	1.5	330	3.6	820	5.0	5.00	5.0	5.00						
		2100	197	72.9	641	1.8	10.70	1.9	420	3.6	800	5.0	5.03	5.0	5.03						
		2100	218	65.8	579	2.1	9.65	1.9	410	3.5	780	5.0	5.04	5.0	5.04						
		2100	246	58.3	513	2.2	8.56	1.8	400	3.4	770	5.1	5.05	5.1	5.05						
		2100	267	53.6	471	2.4	7.85	1.8	400	3.3	750	5.1	5.05	5.1	5.05						
		2100	288	49.7	437	2.5	7.28	1.8	390	3.3	740	5.1	5.06	5.1	5.06						
		2100	321	44.6	392	2.8	6.53	1.7	380	3.2	720	5.1	5.06	5.1	5.06						
		2100	363	39.5	347	3.1	5.79	1.7	370	3.1	700	5.1	5.07	5.1	5.07						
		2100	426	33.6	296	3.4	4.93	1.6	360	2.9	660	5.1	5.07	5.1	5.07						
		2100	468	30.6	270	3.9	4.49	1.6	340	2.8	620	5.1	5.07	5.1	5.07						
		2100	488	29.4	259	3.8	4.32	1.6	340	2.8	620	5.1	5.07	5.1	5.07						
		2100	528	27.1	239	4.2	3.98	1.5	330	2.7	600	5.1	5.08	5.1	5.08						
		2100	619	23.1	204	4.7	3.39	1.5	320	2.5	560	5.1	5.08	5.1	5.08						
		2100	211	67.8	596	0.9	9.95	1.1	260	2.9	660	2.3	2.30	2.3	2.30				SK 02 - 90 N2/8	18.8	41.4
		2100	256	55.9	492	1.1	8.19	1.3	310	2.8	640	2.2	2.22	2.2	2.22						
		2100	305	47.0	414	1.3	6.89	1.5	340	2.7	620	2.2	2.15	2.2	2.15						
		2100	343	41.7	367	1.4	6.10	1.5	340	2.7	620	2.1	2.14	2.1	2.14						
		2100	377	38.0	334	1.5	5.57	1.5	330	2.6	590	2.1	2.07	2.1	2.07						
		2100	436	32.9	289	1.7	4.82	1.4	320	2.5	550	2.0	1.98	2.0	1.98						
2100	495	28.9	255	1.8	4.22	1.4	310	2.4	540	2.0	1.96	2.0	1.96								
2100	539	26.6	234	2	3.89	1.3	300	2.3	510	1.9	1.90	1.9	1.90								
2100	619	23.1	204	2.2	3.38	1.3	300	2.2	490	1.9	1.85	1.9	1.85								
2100	708	20.2	178	2.3	2.95	1.3	290	2.1	470	1.8	1.79	1.8	1.79								

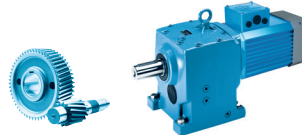


P_1		n_1	n_2	M_2		f_B	i_{tot}	F_R / F_A				F_{RVL} / F_{AVL}				Model type							
[kW]	[hp]			[Nm]	[lb-in]			F_R	F_A	F_{RVL}	F_{AVL}	[kN]	[lb]	[kN]	[lb]		[kN]	[lb]	[kg]	[lb]			
2.20	3.00	2100	125	167	1507	0.9	16.73	0.0	0	3.0	680	4.8	4.78	4.8	4.78	SK 12 - 90 N3/8	23.2	51.1					
		2100	157	134	1206	1.1	13.39	0.0	0	3.1	680	4.9	4.89	4.9	4.89								
		2100	197	107	962	1.3	10.70	0.6	120	3.1	700	5.0	4.96	5.0	4.96								
		2100	218	96.6	869	1.4	9.65	0.7	140	3.1	680	5.0	4.98	5.0	4.98								
		2100	246	85.5	769	1.5	8.56	1.0	210	3.0	680	5.0	5.01	5.0	5.01								
		2100	267	78.6	707	1.7	7.85	1.1	220	3.0	660	5.0	5.02	5.0	5.02								
		2100	288	72.9	656	1.7	7.28	1.3	270	3.0	670	5.0	5.03	5.0	5.03								
		2100	321	65.4	588	1.9	6.53	1.3	260	2.9	640	5.0	5.04	5.0	5.04								
		2100	363	57.9	521	2.1	5.79	1.4	300	2.8	620	5.1	5.05	5.1	5.05								
		2100	426	49.4	444	2.4	4.93	1.5	330	2.6	590	5.1	5.06	5.1	5.06								
		2100	468	44.9	404	2.6	4.49	1.5	320	2.5	560	5.1	5.06	5.1	5.06								
		2100	488	43.1	388	2.6	4.32	1.5	320	2.5	570	5.1	5.06	5.1	5.06								
		2100	528	39.8	358	2.9	3.98	1.4	310	2.4	540	5.1	5.07	5.1	5.07								
		2100	619	33.9	305	3.2	3.39	1.4	300	2.3	520	5.0	5.02	5.0	5.02								
		2100	709	29.6	267	3.5	2.96	1.3	290	2.2	500	4.9	4.86	4.9	4.86								
		2.20	3.00	2100	256	82.0	738	0.8	8.19	0.0	0	2.4	530	1.9	1.91				1.9	1.91	SK 02 - 90 N3/8	21.2	46.7
				2100	305	68.9	620	0.9	6.89	0.2	30	2.3	520	1.9	1.87				1.9	1.87			
				2100	343	61.2	551	0.9	6.10	0.7	160	2.4	530	1.9	1.91				1.9	1.91			
2100	377			55.7	501	1.0	5.57	0.7	150	2.2	500	1.9	1.85	1.9	1.85								
2100	436			48.2	434	1.2	4.82	0.7	150	2.1	470	1.8	1.78	1.8	1.78								
2100	495			42.4	382	1.2	4.22	1.1	240	2.1	470	1.8	1.80	1.8	1.80								
2100	539			39.0	351	1.4	3.89	1.0	220	2.0	450	1.7	1.74	1.7	1.74								
2100	619			33.9	305	1.5	3.38	1.2	260	2.0	440	1.7	1.70	1.7	1.70								
2100	708			29.7	267	1.5	2.95	1.2	270	1.9	420	1.7	1.67	1.7	1.67								

Helical gear units

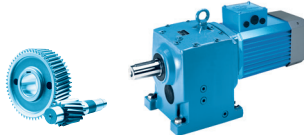
0.50 kW / 0.67 hp


TEFC



Helical gear units

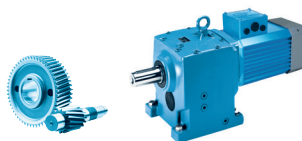
P ₁		n ₁	n ₂	M ₂		f _B	i _{tot}	F _R /F _A				F _{RVL} /F _{AVL}				Model type	📦	
[kW]	[hp]			[Nm]	[lb-in]			F _R	F _A	F _{RVL}	F _{AVL}	[kN]	[lb]	[kN]	[lb]		[kN]	[lb]
0.50	0.67	2400	3.3	1450	12830	1.1	728.2	12.8	3020	23.75	5340	18.72	18.72	18.72	18.72	SK 53 - 71 F1/8	97.9	215.8
		2400	4	1207	10680	1.6	607.3	13.26	3130	23.75	5340	19.05	19.05	19.05	19.05			
		2400	4.4	1091	9653	1.8	548.89	13.45	3170	23.75	5340	19.18	19.18	19.18	19.18			
		2400	4.8	993	8785	1.9	498.82	13.6	3210	23.75	5340	19.28	19.28	19.28	19.28			
		2400	6.1	780	6902	2.3	392.2	13.86	3270	23.75	5340	19.46	19.46	19.46	19.46			
		2400	6.4	745	6589	2.6	374.25	13.9	3280	23.75	5340	19.49	19.49	19.49	19.49			
		2400	8.2	585	5177	3.8	294.26	14.04	3310	23.75	5340	19.59	19.59	19.59	19.59			
		2400	9.8	489	4323	3.8	245.56	14.11	3330	23.75	5340	19.64	19.64	19.64	19.64			
		2400	10	471	4163	4.1	236.21	14.12	3330	23.75	5340	19.65	19.65	19.65	19.65			
		2400	13	370	3271	4.9	185.72	14.18	3340	23.75	5340	19.69	19.69	19.69	19.69			
2400		3.9	1230	10880	0.9	618.76	0	0	12	2700	0	0	0	0	SK 43 - 71 F1/8	64.9	143.1	
		4.5	1051	9291	0.9	528.37	0	0	12	2700	0	0	0	0				
		5.7	838	7411	1.4	421.11	0	0	12	2700	7.22	7.22	7.22	7.22				
		6.7	715	6327	1.8	359.59	0	0	12	2700	8.19	8.19	8.19	8.19				
		8	594	5255	1.9	298.8	8.22	1870	12	2700	8.98	8.98	8.98	8.98				
		8.6	554	4901	2.3	278.51	10.63	2410	12	2700	9.24	9.24	9.24	9.24				
		9.1	525	4645	2.4	263.93	10.73	2430	12	2700	9.4	9.4	9.4	9.4				
		10	460	4070	2.4	231.43	10.92	2470	12	2700	9.73	9.73	9.73	9.73				
		11	436	3858	2.8	219.32	10.99	2490	12	2700	9.85	9.85	9.85	9.85				
		12	407	3598	3.2	204.42	11.08	2510	12	2700	9.99	9.99	9.99	9.99				
		13	364	3217	2.8	182.76	11.18	2530	12	2700	10.16	10.16	10.16	10.16				
		14	338	2988	3.5	169.86	11.22	2530	12	2700	10.28	10.28	10.28	10.28				
		17	282	2492	3.7	141.55	10.68	2410	12	2700	10.49	10.49	10.49	10.49				
		19	257	2274	4.8	129.38	10.46	2360	12	2700	10.6	10.6	10.6	10.6				
2400		5.7	838	7409	0.8	421.32	0	0	9	2020	5.78	5.78	5.78	5.78	SK 33N - 71 F1/8	43.9	96.8	
		7.1	675	5966	1	339.15	0	0	9	2020	8.7	8.7	8.7	8.7				
		9.7	494	4367	1.4	248.17	6.33	1400	9	2020	9.06	9.06	9.06	9.06				
		12	412	3642	1.6	207.1	6.5	1440	9	2020	9.18	9.18	9.18	9.18				
		14	331	2927	2	166.49	6.64	1470	9	2020	9.28	9.28	9.28	9.28				
		18	267	2357	2.4	134.02	6.72	1490	9	2020	9.34	9.34	9.34	9.34				
		21	223	1974	2.5	112.18	6.77	1500	9	2020	9.37	9.37	9.37	9.37				
		27	176	1553	3.1	88.18	6.81	1500	9	2020	9.4	9.4	9.4	9.4				
2400		30	162	1430	3.2	81.27	6.82	1510	9	2020	9.41	9.41	9.41	9.41	SK 32 - 71 F1/8	34.9	76.9	
		33	145	1279	3.9	72.76	6.61	1470	9	2020	9.42	9.42	9.42	9.42				
		37	128	1131	5	64.26	6.4	1430	9	2020	9.42	9.42	9.42	9.42				
2400		11	433	3829	0.8	217.73	2.19	690	5.6	1260	6.37	6.37	6.37	6.37	SK 23 - 71 F1/8	31.9	70.3	
		13	357	3160	0.9	179.5	4.37	890	5.6	1260	6.75	6.75	6.75	6.75				
		16	301	2659	1	151.44	4.71	950	5.6	1260	6.97	6.97	6.97	6.97				
		19	247	2183	1.4	124.17	4.96	1000	5.6	1260	7.14	7.14	7.14	7.14				
		24	200	1769	1.7	100.6	5.13	1040	5.6	1260	7.26	7.26	7.26	7.26				
		27	176	1553	1.9	88.45	5.2	1050	5.6	1260	7.31	7.31	7.31	7.31				
		31	155	1372	2.2	78.05	5.26	1060	5.6	1260	7.35	7.35	7.35	7.35				
		37	129	1140	2.6	64.8	5.29	1080	5.6	1260	7.39	7.39	7.39	7.39				




P_1		n_1	n_2	M_2		f_B	i_{tot}	F_R / F_A				F_{RVL} / F_{AVL}				Model type	 [kg] [lb]			
[kW]	[hp]							[Nm]	[lb-in]	F_R	F_A		F_{RVL}	F_{AVL}						
		[rpm]						[kN]	[lb]	[kN]	[lb]	[kN]	[lb]	[kN]	[lb]					
0.50	0.67	2400	28	172	1518	1.5	86.30	5.22	1050	5.6	1260	7.32	7.32	7.32	7.32	SK 22 - 71 F1/8	23.9	52.7		
		2400	34	139	1227	1.9	69.81	5.29	1070	5.6	1260	7.38	7.38	7.38	7.38					
		2400	43	110	972	2.9	55.28	5.10	1080	5.6	1260	7.42	7.42	7.42	7.42					
		2400	52	91.3	808	3.2	45.90	4.85	1050	5.6	1260	7.44	7.44	7.44	7.44					
		2400	56	85.1	753	4.0	42.82	4.77	1030	5.6	1260	7.44	7.44	7.44	7.44					
		2400	68	70.7	625	4.7	35.55	4.53	980	5.6	1260	7.46	7.46	7.46	7.46					
		2400	82	58.4	516	5.0	29.31	4.28	920	5.6	1260	7.47	7.47	7.47	7.47					
		2400	97	49.1	434	5.0	24.73	4.07	880	5.6	1260	7.47	7.47	7.47	7.47					
2400	22	216	1913	0.8	108.72	1.54	330	3.9	880	4.56	4.56	4.56	4.56	SK 13 - 71 F1/8	19.9	43.9				
	28	170	1506	1.0	85.47	2.64	570	3.9	880	4.77	4.77	4.77	4.77							
	35	136	1204	1.4	68.40	3.14	680	3.9	880	4.88	4.88	4.88	4.88							
2400	45	107	947	1.6	53.84	3.23	710	3.9	880	4.96	4.96	4.96	4.96	SK 12 - 71 F1/8	14.9	32.8				
	50	95.2	842	1.9	47.87	3.15	690	3.9	880	4.99	4.99	4.99	4.99							
	56	85.7	758	1.9	43.09	3.07	680	3.9	880	5.01	5.01	5.01	5.01							
	56	85.7	758	1.9	43.09	3.07	680	3.9	880	5.01	5.01	5.01	5.01							
	63	76.2	674	2.4	38.31	2.99	660	3.9	880	5.02	5.02	5.02	5.02							
	68	69.7	617	2.1	35.07	2.92	640	3.9	880	5.03	5.03	5.03	5.03							
	77	62.0	548	2.7	31.19	2.84	630	3.9	880	5.04	5.04	5.04	5.04							
	82	58.0	513	2.1	29.15	2.79	610	3.9	880	5.05	5.05	5.05	5.05							
	93	51.6	456	2.7	25.92	2.71	600	3.9	880	5.06	5.06	5.06	5.06							
	113	42.3	374	3.9	21.28	2.6	570	3.9	880	5.07	5.07	5.07	5.07							
	128	37.4	331	4.3	18.79	2.52	560	3.9	880	5.07	5.07	5.07	5.07							
	143	33.3	295	4.6	16.73	2.44	540	3.9	880	5.07	5.07	5.07	5.07							
	2400	45	107	944	0.8	53.68	2.00	310	3.28	740	3.05	3.05	3.05				3.05	SK 02 - 71 F1/8	12.9	28.4
		58	82.7	731	1.2	41.58	2.18	510	3.28	740	3.17	3.17	3.17				3.17			
72		66.4	587	1.4	33.42	2.27	530	3.28	740	3.24	3.24	3.24	3.24							
81		58.9	521	1.6	29.61	2.31	540	3.28	740	3.26	3.26	3.26	3.26							
87		54.8	484	1.6	27.52	2.32	540	3.28	740	3.27	3.27	3.27	3.27							
98		48.6	429	1.8	24.39	2.35	540	3.28	740	3.29	3.29	3.29	3.29							
104		46.0	407	1.7	23.13	2.34	530	3.28	740	3.30	3.30	3.30	3.30							
117		41.0	362	1.8	20.59	2.32	530	3.28	740	3.31	3.31	3.31	3.31							
150		31.7	281	2.3	15.95	2.17	490	3.28	740	3.09	3.09	3.09	3.09							
187		25.5	225	2.7	12.82	2.04	460	3.28	740	2.91	2.91	2.91	2.91							
213		22.4	198	3.0	11.27	1.97	450	3.28	740	2.81	2.81	2.81	2.81							
242		19.8	175	3.2	9.95	1.90	430	3.28	740	2.72	2.72	2.72	2.72							
259		18.4	163	3.5	9.28	1.86	420	3.28	740	2.66	2.66	2.66	2.66							
293		16.3	144	3.9	8.19	1.80	410	3.28	740	2.57	2.57	2.57	2.57							
308		15.5	137	4.1	7.80	1.77	400	3.27	740	2.53	2.53	2.53	2.53							
348		13.7	121	4.4	6.89	1.71	390	3.16	710	2.44	2.44	2.44	2.44							
392		12.2	108	4.7	6.10	1.66	380	3.07	690	2.37	540	3.39	760							

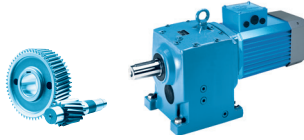
1.00 kW / 1.35 hp


TEFC



Helical gear units

P_1		n_1	n_2	M_2		f_B	i_{tot}	F_R / F_A				F_{RVL} / F_{AVL}				Model type	 [kg] [lb]	
[kW]	[hp]							[Nm]	[lb-in]	F_R	F_A	F_{RVL}	F_{AVL}	[kN]	[lb]			
1.00	1.35	2400	4.0	2415	21520	0.8	607.3	9.64	2260	23.75	5340	16.73	16.73	16.73	16.73	SK 53 - 71 F2/8	99.0	218.3
		2400	4.4	2183	19450	0.9	548.89	10.64	2500	23.75	5340	17.32	17.32	17.32	17.32			
		2400	4.8	1987	17700	1.0	498.82	11.35	2670	23.75	5340	17.76	17.76	17.76	17.76			
		2400	6.1	1561	13910	1.2	392.20	12.55	2950	23.75	5340	18.55	18.55	18.55	18.55			
		2400	6.4	1490	13280	1.3	374.25	12.71	2990	23.75	5340	18.66	18.66	18.66	18.66			
		2400	8.2	1171	10430	1.9	294.26	13.33	3140	23.75	5340	19.09	19.09	19.09	19.09			
		2400	9.8	978	8711	1.9	245.56	13.62	3210	23.75	5340	19.29	19.29	19.29	19.29			
		2400	10	941	8388	2.0	236.21	13.67	3220	23.75	5340	19.33	19.33	19.33	19.33			
		2400	13	740	6590	2.5	185.72	13.90	3280	23.75	5340	19.49	19.49	19.49	19.49			
		2400	14	706	6291	2.7	177.22	13.93	3290	23.75	5340	19.52	19.52	19.52	19.52			
2400	17	555	4943	4.0	139.34	14.06	3320	23.75	5340	19.61	19.61	19.61	19.61					
2400		6.7	1431	12750	0.9	359.59	0	0	12	2700	0	0	0	0	SK 43 - 71 F2/8	66.0	145.5	
		8.0	1188	10590	0.9	298.80	0	0	12	2700	0	0	0	0				
		8.6	1108	9874	1.2	278.51	0	0	12	2700	0	0	0	0				
		9.1	1051	9360	1.2	263.93	0	0	12	2700	0	0	0	0				
		10	920	8200	1.2	231.43	0	0	12	2700	1.09	1.09	1.09	1.09				
		11	872	7773	1.4	219.32	0	0	12	2700	4.23	4.23	4.23	4.23				
		12	814	7249	1.6	204.42	0	0	12	2700	7.41	7.41	7.41	7.41				
		13	728	6483	1.4	182.76	0	0	12	2700	8.04	8.04	8.04	8.04				
		14	676	6021	1.7	169.86	1.05	140	12	2700	8.45	8.45	8.45	8.45				
		17	564	5021	1.9	141.55	9.54	2150	12	2700	9.14	9.14	9.14	9.14				
		19	514	4583	2.4	129.38	9.47	2130	12	2700	9.46	9.46	9.46	9.46				
		22	427	3806	2.6	107.51	9.10	2050	12	2700	9.89	9.89	9.89	9.89				
		25	378	3365	3.3	94.96	8.88	2000	12	2700	10.13	10.13	10.13	10.13				
		30	318	2836	3.9	79.96	8.53	1920	12	2700	10.37	10.37	10.37	10.37				
34	279	2485	4.5	70.12	8.27	1860	12	2700	10.52	10.52	10.52	10.52						
41	232	2064	5.0	58.27	7.87	1780	12	2700	10.68	10.68	10.68	10.68						
2400		12	823	7337	0.8	207.10	0	0	9	2020	6.48	6.48	6.48	6.48	SK 33N - 71 F2/8	45.0	99.2	
		14	662	5899	1.0	166.49	1.09	170	9	2020	8.73	8.73	8.73	8.73				
		18	533	4750	1.2	134.02	6.23	1370	9	2020	8.99	8.99	8.99	8.99				
		21	446	3977	1.2	112.18	6.34	1410	9	2020	9.13	9.13	9.13	9.13				
		27	351	3130	1.5	88.18	6.13	1360	9	2020	9.25	9.25	9.25	9.25				
2400		30	323	2881	1.6	81.27	6.15	1370	9	2020	9.28	9.28	9.28	9.28	SK 32 - 71 F2/8	36.0	79.4	
		33	289	2578	1.9	72.76	6.00	1340	9	2020	9.32	9.32	9.32	9.32				
		37	256	2278	2.5	64.26	5.86	1310	9	2020	9.35	9.35	9.35	9.35				
		42	229	2038	2.7	57.53	5.71	1270	9	2020	9.37	9.37	9.37	9.37				
		52	184	1641	2.9	46.31	5.41	1200	9	2020	9.40	9.40	9.40	9.40				
		62	154	1374	2.9	38.76	5.17	1150	9	2020	9.41	9.41	9.41	9.41				
		73	131	1170	2.9	33.05	4.95	1100	9	2020	9.42	9.42	9.42	9.42				
		24	400	3564	0.8	100.6	0.51	80	5.6	1260	6.55	6.55	6.55	6.55				
		27	351	3128	1.0	88.45	1.68	330	5.6	1260	6.77	6.77	6.77	6.77				
		31	310	2765	1.1	78.05	2.61	520	5.6	1260	6.94	6.94	6.94	6.94				
37	258	2297	1.3	64.8	3.44	690	5.6	1260	7.11	7.11	7.11	7.11						

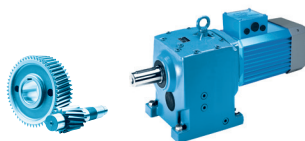


P_1		n_1	n_2	M_2		f_B	i_{tot}	F_R / F_A				F_{RVL} / F_{AVL}				Model type	 [kg] [lb]	
[kW]	[hp]							[Nm]	[lb-in]	F_R	F_A	F_{RVL}	F_{AVL}	[kN]	[lb]			
1.00	1.35	2400	43	220	1959	1.5	55.28	4.46	910	5.6	1260	7.21	7.21	7.21	7.21	SK 22 - 71 F2/8	25.0	55.1
		2400	52	183	1627	1.6	45.9	4.34	930	5.6	1260	7.3	7.3	7.3	7.3			
		2400	56	170	1517	2	42.82	4.31	930	5.6	1260	7.32	7.32	7.32	7.32			
		2400	68	141	1260	2.3	35.55	4.13	890	5.6	1260	7.37	7.37	7.37	7.37			
		2400	82	117	1040	2.5	29.31	3.95	850	5.6	1260	7.41	7.41	7.41	7.41			
		2400	97	98.2	875	2.5	24.73	3.78	810	5.6	1260	7.43	7.43	7.43	7.43			
2400	1.35	45	214	1909	0.8	53.84	0	0	3.90	880	4.57	4.57	4.57	4.57	SK 12 - 71 F2/8	16.0	35.3	
		50	190	1697	0.9	47.87	0.1	9	3.90	880	4.69	4.69	4.69	4.69				
		56	171	1527	0.9	43.09	0.33	60	3.90	880	4.76	4.76	4.76	4.76				
		56	171	1527	0.9	43.09	0.33	60	3.90	880	4.76	4.76	4.76	4.76				
		63	152	1357	1.2	38.31	0.86	180	3.90	880	4.83	4.83	4.83	4.83				
		68	139	1242	1.1	35.07	0.97	200	3.90	880	4.87	4.87	4.87	4.87				
		77	124	1104	1.3	31.19	1.39	290	3.90	880	4.92	4.92	4.92	4.92				
		82	116	1034	1.1	29.15	1.39	290	3.90	880	4.94	4.94	4.94	4.94				
		93	103	919	1.3	25.92	1.72	360	3.90	880	4.97	4.97	4.97	4.97				
		113	84.6	754	2.0	21.28	2.33	510	3.90	880	5.01	5.01	5.01	5.01				
		128	74.8	667	2.2	18.79	2.28	500	3.90	880	5.02	5.02	5.02	5.02				
		143	66.6	594	2.3	16.73	2.22	490	3.90	880	5.04	5.04	5.04	5.04				
		179	53.3	475	2.8	13.39	2.11	460	3.90	880	5.05	5.05	5.05	5.05				
		225	42.5	379	3.2	10.7	2.01	440	3.77	850	5.06	5.06	5.06	5.06				
		249	38.4	342	3.5	9.65	1.96	430	3.66	820	5.07	5.07	5.07	5.07				
		281	34.0	303	3.8	8.56	1.9	420	3.56	800	5.07	5.07	5.07	5.07				
		306	31.2	278	4.2	7.85	1.85	410	3.47	780	5.07	5.07	5.07	5.07				
		329	29.0	258	4.3	7.28	1.82	400	3.42	770	5.08	5.08	5.08	5.08				
		367	26.0	232	4.8	6.53	1.76	390	3.30	740	5.08	5.08	5.08	5.08				
		2400	1.35	81	118	1049	0.8	29.61	0.21	0	3.28	740	2.87	2.87				2.87
87	110			976	0.8	27.52	0.28	50	3.28	740	2.83	2.83	2.83	2.83				
98	97.1			865	0.9	24.39	0.71	160	3.28	740	2.81	2.81	2.81	2.81				
104	92.1			820	0.8	23.13	0.68	150	3.28	740	2.77	2.77	2.77	2.77				
117	81.9			730	0.9	20.59	1.63	370	3.28	740	2.86	2.86	2.86	2.86				
150	63.5			565	1.1	15.95	1.92	440	3.28	740	2.74	2.74	2.74	2.74				
187	51.0			454	1.4	12.82	1.83	420	3.28	740	2.62	2.62	2.62	2.62				
213	44.7			399	1.5	11.27	1.79	410	3.28	740	2.55	2.55	2.55	2.55				
242	39.5			352	1.6	9.95	1.74	400	3.2	720	2.49	2.49	2.49	2.49				
259	36.9			329	1.8	9.28	1.71	390	3.13	700	2.44	2.44	2.44	2.44				
293	32.6			291	1.9	8.19	1.66	380	3.05	690	2.37	2.37	2.37	2.37				
308	31.0			276	2.0	7.80	1.64	370	3.00	670	2.34	2.34	2.34	2.34				
348	27.4			244	2.2	6.89	1.59	360	2.92	660	2.27	2.27	2.27	2.27				
392	24.3			217	2.3	6.10	1.56	350	2.87	650	2.23	2.23	2.23	2.23				
431	22.2			197	2.6	5.57	1.51	340	2.76	620	2.16	2.16	2.16	2.16				
498	19.2			171	3.0	4.82	1.45	330	2.56	580	2.06	2.06	2.06	2.06				
566	16.9			150	3.1	4.22	1.41	320	2.46	550	2.01	2.01	2.01	2.01				
616	15.5			138	3.4	3.89	1.37	310	2.35	530	1.95	1.95	1.95	1.95				
707	13.5			120	3.8	3.38	1.32	300	2.23	500	1.88	1.88	1.88	1.88				
809	11.8			105	3.9	2.95	1.27	290	2.12	480	1.81	1.81	1.81	1.81				

Helical gear units

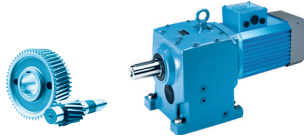
1.50 kW / 2.00 hp


TEFC



Helical gear units

P_1		n_1	n_2	M_2		f_B	i_{tot}	F_R / F_A				F_{RVL} / F_{AVL}				Model type	 [kg] [lb]	
[kW]	[hp]							[Nm]	[lb-in]	F_R	F_A	F_{RVL}	F_{AVL}	[kN]	[lb]			
1.50	2.00	2400	6.1	2341	20600	0.8	392.2	9.98	2370	23.75	5340	16.92	16.92	16.92	16.92	SK 53 - 71 F3/8	100	220.5
		2400	6.4	2235	19670	0.9	374.25	10.43	2470	23.75	5340	17.19	17.19	17.19	17.19			
		2400	8.2	1756	15450	1.3	294.26	12.05	2850	23.75	5340	18.22	18.22	18.22	18.22			
		2400	9.8	1467	12910	1.3	245.56	12.76	3010	23.75	5340	18.70	18.70	18.70	18.70			
2400		8.6	1662	14630	0.8	278.51	0	0	12	2700	0	0	0	0	SK 43 - 71 F3/8	67.0	147.7	
		9.1	1576	13870	0.8	263.93	0	0	12	2700	0	0	0	0				
		10	1381	12150	0.8	231.43	0	0	12	2700	0	0	0	0				
		11	1309	11520	0.9	219.32	0	0	12	2700	0	0	0	0				
		12	1220	10740	1.1	204.42	0	0	12	2700	0	0	0	0				
		13	1091	9604	0.9	182.76	0	0	12	2700	0	0	0	0				
		14	1014	8919	1.2	169.86	0	0	12	2700	0	0	0	0				
		17	845	7438	1.2	141.55	0	0	12	2700	4.82	4.82	4.82	4.82				
2400	27	527	4637	1.0	88.18	5.34	1190	9	2020	9	9	9	9	SK 33N - 90 F1/8	49.0	108		
2400		18	800	7037	0.8	134.02	0	0	9	2020	6.68	6.68	6.68	6.68	SK 33N - 71 F3/8	46.0	101.4	
		21	670	5892	0.8	112.18	0	0	9	2020	8.71	8.71	8.71	8.71				
		27	527	4637	1.0	88.18	5.34	1190	9	2020	9.00	9.00	9.00	9.00				
2400		30	485	4268	1.1	81.27	5.47	1220	9	2020	9.07	9.07	9.07	9.07	SK 32 - 71 F3/8	37.0	81.6	
		33	434	3819	1.3	72.76	5.39	1200	9	2020	9.15	9.15	9.15	9.15				
		37	384	3375	1.7	64.26	5.33	1190	9	2020	9.21	9.21	9.21	9.21				
		42	343	3019	1.8	57.53	5.23	1170	9	2020	9.26	9.26	9.26	9.26				
		52	276	2431	1.9	46.31	5.01	1120	9	2020	9.33	9.33	9.33	9.33				
		62	231	2036	1.9	38.76	4.82	1080	9	2020	9.37	9.37	9.37	9.37				
		73	197	1733	1.9	33.05	4.64	1040	9	2020	9.39	9.39	9.39	9.39				
		2400	43	330	2902	1.0	55.28	0.34	80	5.6	1260	6.86	6.86	6.86				6.86
2400	52	274	2411	1.1	45.9	1.36	290	5.6	1260	7.06	7.06	7.06	7.06					
2400	56	255	2247	1.3	42.82	2.09	440	5.6	1260	7.12	7.12	7.12	7.12					
2400	68	212	1867	1.6	35.55	2.77	580	5.6	1260	7.23	7.23	7.23	7.23					
2400	82	175	1541	1.7	29.31	3.28	680	5.6	1260	7.31	7.31	7.31	7.31					
2400	97	147	1297	1.7	24.73	3.49	750	5.6	1260	7.36	7.36	7.36	7.36					
2400		143	99.9	879	1.5	16.73	1.49	330	3.71	840	4.98	4.98	4.98	4.98	SK 12 - 90 F1/8	20.0	44.1	
		179	79.9	703	1.9	13.39	1.78	390	3.58	810	5.02	5.02	5.02	5.02				
		225	63.8	561	2.1	10.7	1.87	410	3.49	790	5.04	5.04	5.04	5.04				
		249	57.6	507	2.3	9.65	1.83	400	3.40	770	5.05	5.05	5.05	5.05				
		281	51.0	449	2.5	8.56	1.78	390	3.32	750	5.06	5.06	5.06	5.06				
		306	46.9	412	2.8	7.85	1.74	380	3.25	730	5.06	5.06	5.06	5.06				
		329	43.5	383	2.9	7.28	1.72	380	3.22	720	5.06	5.06	5.06	5.06				
		367	39.0	343	3.2	6.53	1.67	370	3.10	700	5.07	5.07	5.07	5.07				
		415	34.5	304	3.5	5.79	1.62	360	2.95	670	5.07	5.07	5.07	5.07				
		486	29.4	259	3.9	4.93	1.56	340	2.77	620	5.07	5.07	5.07	5.07				
		534	26.8	236	4.4	4.49	1.51	330	2.64	590	5.08	5.08	5.08	5.08				
		557	25.7	226	4.4	4.32	1.51	330	2.63	590	5.08	5.08	5.08	5.08				
		603	23.7	209	4.8	3.98	1.47	320	2.52	570	5.08	5.08	5.08	5.08				

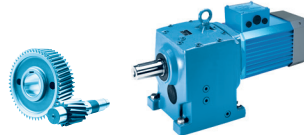


P_1		n_1	n_2	M_2		f_B	i_{tot}	F_R / F_A				F_{RVL} / F_{AVL}				Model type	 [kg] [lb]	
[kW]	[hp]							[Nm]	[lb-in]	F_R	F_A	F_{RVL}	F_{AVL}	[kN]	[lb]			
1.50	2.00	2400	63	229	2011	0.8	38.31	0	0	3.49	790	4.50	4.50	4.50	4.50	SK 12 - 71 F3/8	17.0	37.5
		2400	77	186	1636	0.9	31.19	0	0	3.55	800	4.71	4.71	4.71	4.71			
		2400	93	155	1361	0.9	25.92	0	0	3.55	800	4.82	4.82	4.82	4.82			
		2400	113	127	1117	1.3	21.28	0.84	190	3.77	850	4.91	4.91	4.91	4.91			
		2400	128	112	987	1.4	18.79	1.20	260	3.74	840	4.95	4.95	4.95	4.95			
		2400	143	99.9	879	1.5	16.73	1.49	330	3.71	840	4.98	4.98	4.98	4.98			
		2400	179	79.9	703	1.9	13.39	1.78	390	3.58	810	5.02	5.02	5.02	5.02			
		2400	225	63.8	561	2.1	10.7	1.87	410	3.49	790	5.04	5.04	5.04	5.04			
		2400	249	57.6	507	2.3	9.65	1.83	400	3.40	770	5.05	5.05	5.05	5.05			
		2400	281	51.0	449	2.5	8.56	1.78	390	3.32	750	5.06	5.06	5.06	5.06			
		2400	306	46.9	412	2.8	7.85	1.74	380	3.25	730	5.06	5.06	5.06	5.06			
		2400	329	43.5	383	2.9	7.28	1.72	380	3.22	720	5.06	5.06	5.06	5.06			
		2400	367	39.0	343	3.2	6.53	1.67	370	3.10	700	5.07	5.07	5.07	5.07			
		2400	415	34.5	304	3.5	5.79	1.62	360	2.95	670	5.07	5.07	5.07	5.07			
		2400	486	29.4	259	3.9	4.93	1.56	340	2.77	620	5.07	5.07	5.07	5.07			
		2400	534	26.8	236	4.4	4.49	1.51	330	2.64	590	5.08	5.08	5.08	5.08			
		2400	557	25.7	226	4.4	4.32	1.51	330	2.63	590	5.08	5.08	5.08	5.08			
2400	603	23.7	209	4.8	3.98	1.47	320	2.52	570	5.08	5.08	5.08	5.08					
2400		242	59.3	522	1.1	9.95	1.33	310	2.88	650	2.26	2.26	2.26	2.26	SK 02 - 90 F1/8	18.0	39.7	
		293	48.9	430	1.3	8.19	1.51	350	2.78	630	2.18	2.18	2.18	2.18				
		348	41.1	362	1.5	6.89	1.47	340	2.69	600	2.1	2.10	2.10	2.10				
		392	36.5	321	1.6	6.10	1.46	330	2.65	600	2.08	2.08	2.08	2.08				
		431	33.2	292	1.7	5.57	1.42	320	2.51	570	2.02	2.02	2.02	2.02				
		498	28.8	253	2.0	4.82	1.36	310	2.34	530	1.93	1.93	1.93	1.93				
		566	25.3	223	2.1	4.22	1.34	300	2.28	510	1.91	1.91	1.91	1.91				
		616	23.3	205	2.3	3.89	1.3	300	2.18	490	1.85	1.85	1.85	1.85				
		707	20.2	178	2.5	3.38	1.26	290	2.08	470	1.79	1.79	1.79	1.79				
		809	17.7	156	2.6	2.95	1.22	280	1.99	450	1.74	1.74	1.74	1.74				
2400		150	95.2	838	0.8	15.95	0.37	90	3.00	680	2.38	2.38	2.38	2.38	SK 02 - 71 F3/8	15.0	33.1	
		187	76.4	673	0.9	12.82	0.82	200	2.94	660	2.32	2.32	2.32	2.32				
		213	67.1	590	1.0	11.27	1.11	260	2.91	660	2.29	2.29	2.29	2.29				
		242	59.3	522	1.1	9.95	1.33	310	2.88	650	2.26	2.26	2.26	2.26				
		259	55.3	487	1.2	9.28	1.33	310	2.83	640	2.22	2.22	2.22	2.22				
		293	48.9	430	1.3	8.19	1.51	350	2.78	630	2.18	2.18	2.18	2.18				
		308	46.5	409	1.4	7.80	1.47	340	2.73	620	2.14	2.14	2.14	2.14				
		348	41.1	362	1.5	6.89	1.47	340	2.69	600	2.10	2.10	2.10	2.10				
		392	36.5	321	1.6	6.10	1.46	330	2.65	600	2.08	2.08	2.08	2.08				
		431	33.2	292	1.7	5.57	1.42	320	2.51	570	2.02	2.02	2.02	2.02				
		498	28.8	253	2.0	4.82	1.36	310	2.34	530	1.93	1.93	1.93	1.93				
		566	25.3	223	2.1	4.22	1.34	300	2.28	510	1.91	1.91	1.91	1.91				
		616	23.3	205	2.3	3.89	1.30	300	2.18	490	1.85	1.85	1.85	1.85				
		707	20.2	178	2.5	3.38	1.26	290	2.08	470	1.79	1.79	1.79	1.79				
809	17.7	156	2.6	2.95	1.22	280	1.99	450	1.74	1.74	1.74	1.74						

Helical gear units

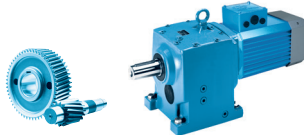
2.20 kW / 3.00 hp

TEFC



Helical gear units

P ₁		n ₁	n ₂	M ₂		f _B	i _{tot}	F _R /F _A				F _{RVL} /F _{AVL}				Model type	📦	
[kW]	[hp]			[Nm]	[lb-in]			F _R	F _A		F _{RVL}		F _{AVL}		[kg]		[lb]	
		[rpm]						[kN]	[lb]	[kN]	[lb]	[kN]	[lb]	[kN]	[lb]			
2.20	3.00	2400	8.2	2576	23180	0.9	294.26	8.82	2020	23.75	5340	16.26	16.26	16.26	16.26	SK 53 - 71 F4/8	103	227.1
		2400	9.8	2151	19360	0.9	245.56	10.76	2510	23.75	5340	17.40	17.40	17.40	17.40			
		2400	14	1487	13380	0.8	169.86	0	0	12	2700	0	0	0	0	SK 43 - 71 F4/8	70.0	154.3
		2400	17	1240	11160	0.8	141.55	0	0	12	2700	0	0	0	0			
		2400	37	563	5063	1.1	64.26	4.27	900	9.00	2020	8.94	8.94	8.94	8.94	SK 32 - 71 F4/8	40.0	88.2
		2400	42	503	4529	1.2	57.53	4.55	1010	9.00	2020	9.04	9.04	9.04	9.04			
		2400	52	405	3647	1.3	46.31	4.44	980	9.00	2020	9.19	9.19	9.19	9.19			
		2400	62	339	3054	1.3	38.76	4.33	960	8.99	2010	9.27	9.27	9.27	9.27			
		2400	73	289	2600	1.3	33.05	4.22	940	8.76	1960	9.32	9.32	9.32	9.32			
		2400	56	375	3371	0.9	42.82	0	0	5.43	1200	6.67	6.67	6.67	6.67			
		2400	68	311	2801	1.1	35.55	0	0	5.45	1210	6.93	6.93	6.93	6.93			
		2400	82	257	2312	1.1	29.31	0.01	0	5.41	1210	7.11	7.11	7.11	7.11			
		2400	97	216	1945	1.1	24.73	0.74	120	5.33	1190	7.22	7.22	7.22	7.22			
		2400	143	147	1319	1.1	16.73	0	0	3.09	690	4.85	4.85	4.85	4.85	SK 12 - 90 F2/8	20.8	45.9
		2400	179	117	1055	1.3	13.39	0.18	20	3.06	680	4.94	4.94	4.94	4.94			
		2400	225	93.5	842	1.4	10.70	0.97	200	3.09	690	4.99	4.99	4.99	4.99			
		2400	249	84.5	760	1.6	9.65	1.05	210	3.03	680	5.01	5.01	5.01	5.01			
		2400	281	74.8	673	1.7	8.56	1.28	260	3.00	670	5.02	5.02	5.02	5.02			
		2400	306	68.7	619	1.9	7.85	1.30	270	2.94	660	5.03	5.03	5.03	5.03			
		2400	329	63.8	574	1.9	7.28	1.52	320	2.92	650	5.04	5.04	5.04	5.04			
		2400	367	57.2	515	2.2	6.53	1.46	300	2.75	610	5.05	5.05	5.05	5.05			
		2400	415	50.6	456	2.4	5.79	1.51	330	2.65	590	5.06	5.06	5.06	5.06			
		2400	486	43.2	389	2.7	4.93	1.46	320	2.53	570	5.06	5.06	5.06	5.06			
		2400	534	39.3	354	3.0	4.49	1.42	310	2.41	540	5.07	5.07	5.07	5.07			
		2400	557	37.7	339	3.0	4.32	1.42	310	2.43	540	5.07	5.07	5.07	5.07			
		2400	603	34.8	313	3.3	3.98	1.38	300	2.32	520	5.04	5.04	5.04	5.04			
		2400	708	29.7	267	3.7	3.39	1.34	290	2.21	500	4.87	4.87	4.87	4.87			
		2400	810	25.9	233	4.1	2.96	1.30	290	2.12	480	4.71	4.71	4.71	4.71			
		2400	113	186	1676	0.9	21.28	0	0	2.98	660	4.70	4.70	4.70	4.70			
		2400	128	165	1481	1.0	18.79	0	0	3.05	680	4.79	4.79	4.79	4.79			
		2400	143	147	1319	1.1	16.73	0	0	3.09	690	4.85	4.85	4.85	4.85			
		2400	179	117	1055	1.3	13.39	0.18	20	3.06	680	4.94	4.94	4.94	4.94			
		2400	225	93.5	842	1.4	10.70	0.97	200	3.09	690	4.99	4.99	4.99	4.99			
		2400	249	84.5	760	1.6	9.65	1.05	210	3.03	680	5.01	5.01	5.01	5.01			
		2400	281	74.8	673	1.7	8.56	1.28	260	3.00	670	5.02	5.02	5.02	5.02			
		2400	306	68.7	619	1.9	7.85	1.30	270	2.94	660	5.03	5.03	5.03	5.03			
		2400	329	63.8	574	1.9	7.28	1.52	320	2.92	650	5.04	5.04	5.04	5.04			
		2400	367	57.2	515	2.2	6.53	1.46	300	2.75	610	5.05	5.05	5.05	5.05			
		2400	415	50.6	456	2.4	5.79	1.51	330	2.65	590	5.06	5.06	5.06	5.06			
		2400	486	43.2	389	2.7	4.93	1.46	320	2.53	570	5.06	5.06	5.06	5.06			
		2400	534	39.3	354	3.0	4.49	1.42	310	2.41	540	5.07	5.07	5.07	5.07			
		2400	557	37.7	339	3.0	4.32	1.42	310	2.43	540	5.07	5.07	5.07	5.07			
		2400	603	34.8	313	3.3	3.98	1.38	300	2.32	520	5.04	5.04	5.04	5.04			
		2400	708	29.7	267	3.7	3.39	1.34	290	2.21	500	4.87	4.87	4.87	4.87			
		2400	810	25.9	233	4.1	2.96	1.30	290	2.12	480	4.71	4.71	4.71	4.71			

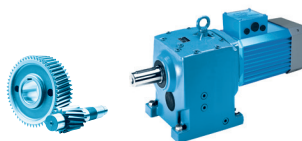


P_1		n_1	n_2	M_2		f_B	i_{tot}	F_R / F_A				F_{RVL} / F_{AVL}				Model type	📦	
[kW]	[hp]			[Nm]	[lb-in]			F_R	F_A	F_{RVL}	F_{AVL}	[kN]	[lb]	[kN]	[lb]		[kN]	[lb]
2.20	3.00	2400	293	71.7	646	0.9	8.19	0.26	50	2.39	530	1.91	1.91	1.91	1.91	SK 02 - 90 F2/8	18.8	41.4
		2400	348	60.3	543	1.0	6.89	0.52	110	2.27	510	1.86	1.86	1.86	1.86			
		2400	392	53.5	482	1.1	6.10	0.97	210	2.29	510	1.89	1.89	1.89	1.89			
		2400	431	48.7	439	1.2	5.57	0.91	200	2.18	490	1.83	1.83	1.83	1.83			
		2400	498	42.2	380	1.4	4.82	0.91	200	2.04	460	1.76	1.76	1.76	1.76			
		2400	566	37.1	334	1.4	4.22	1.24	280	2.05	460	1.76	1.76	1.76	1.76			
		2400	616	34.1	307	1.6	3.89	1.16	260	1.95	440	1.70	1.70	1.70	1.70			
		2400	707	29.7	267	1.7	3.38	1.17	270	1.89	420	1.67	1.67	1.67	1.67			
		2400	809	26.0	234	1.8	2.95	1.14	260	1.82	410	1.63	1.63	1.63	1.63			
		2400	259	81.2	731	0.8	9.28	0	0	2.39	530	1.91	1.91	1.91	1.91			
		2400	293	71.7	646	0.9	8.19	0.26	50	2.39	530	1.91	1.91	1.91	1.91			
		2400	308	68.2	614	0.9	7.80	0.24	40	2.32	520	1.87	1.87	1.87	1.87			
		2400	348	60.3	543	1.0	6.89	0.52	110	2.27	510	1.86	1.86	1.86	1.86			
		2400	392	53.5	482	1.1	6.10	0.97	210	2.29	510	1.89	1.89	1.89	1.89			
		2400	431	48.7	439	1.2	5.57	0.91	200	2.18	490	1.83	1.83	1.83	1.83			
		2400	498	42.2	380	1.4	4.82	0.91	200	2.04	460	1.76	1.76	1.76	1.76			
		2400	566	37.1	334	1.4	4.22	1.24	280	2.05	460	1.76	1.76	1.76	1.76			
		2400	616	34.1	307	1.6	3.89	1.16	260	1.95	440	1.70	1.70	1.70	1.70			
2400	707	29.7	267	1.7	3.38	1.17	270	1.89	420	1.67	1.67	1.67	1.67					
2400	809	26.0	234	1.8	2.95	1.14	260	1.82	410	1.63	1.63	1.63	1.63					
3.00	4.00	2400	143	200	1759	0.8	16.73	0	0	2.38	540	4.64	4.64	4.64	4.64	SK 12 - 90 F3/8	23.8	52.5
		2400	179	160	1407	0.9	13.39	0	0	2.48	560	4.81	4.81	4.81	4.81			
		2400	225	128	1122	1.1	10.70	0	0	2.64	600	4.91	4.91	4.91	4.91			
		2400	249	115	1014	1.2	9.65	0	0	2.59	590	4.94	4.94	4.94	4.94			
		2400	281	102	898	1.3	8.56	0.11	30	2.56	580	4.97	4.97	4.97	4.97			
		2400	306	93.7	825	1.4	7.85	0.19	50	2.48	560	4.99	4.99	4.99	4.99			
		2400	329	87.0	766	1.4	7.28	0.52	120	2.51	570	5.00	5.00	5.00	5.00			
		2400	367	78.0	686	1.6	6.53	0.49	110	2.37	540	5.02	5.02	5.02	5.02			
		2400	415	69.0	608	1.8	5.79	0.75	160	2.33	530	5.03	5.03	5.03	5.03			
		2400	486	58.9	518	2.0	4.93	1.01	220	2.26	510	5.05	5.05	5.05	5.05			
		2400	534	53.6	472	2.2	4.49	0.93	200	2.15	480	4.95	4.95	4.95	4.95			
		2400	557	51.4	452	2.2	4.32	1.19	260	2.20	490	4.97	4.97	4.97	4.97			
		2400	603	47.5	418	2.4	3.98	1.09	240	2.09	470	4.84	4.84	4.84	4.84			
		2400	708	40.5	356	2.7	3.39	1.25	280	2.02	460	4.69	4.69	4.69	4.69			
		2400	810	35.4	311	3.0	2.96	1.22	270	1.96	440	4.56	4.56	4.56	4.56			
		2400	392	73.0	642	0.8	6.10	0	0	1.91	430	1.66	1.66	1.66	1.66			
		2400	431	66.5	585	0.9	5.57	0	0	1.82	410	1.61	1.61	1.61	1.61			
		2400	498	57.6	506	1.0	4.82	0	0	1.72	390	1.55	1.55	1.55	1.55			
		2400	566	50.6	445	1.0	4.22	0.48	120	1.78	400	1.59	1.59	1.59	1.59			
		2400	616	46.5	409	1.1	3.89	0.40	100	1.69	380	1.54	1.54	1.54	1.54			
		2400	707	40.5	356	1.3	3.38	0.62	150	1.67	380	1.52	1.52	1.52	1.52			
		2400	809	35.4	312	1.3	2.95	0.80	190	1.63	370	1.50	1.50	1.50	1.50			

Helical gear units

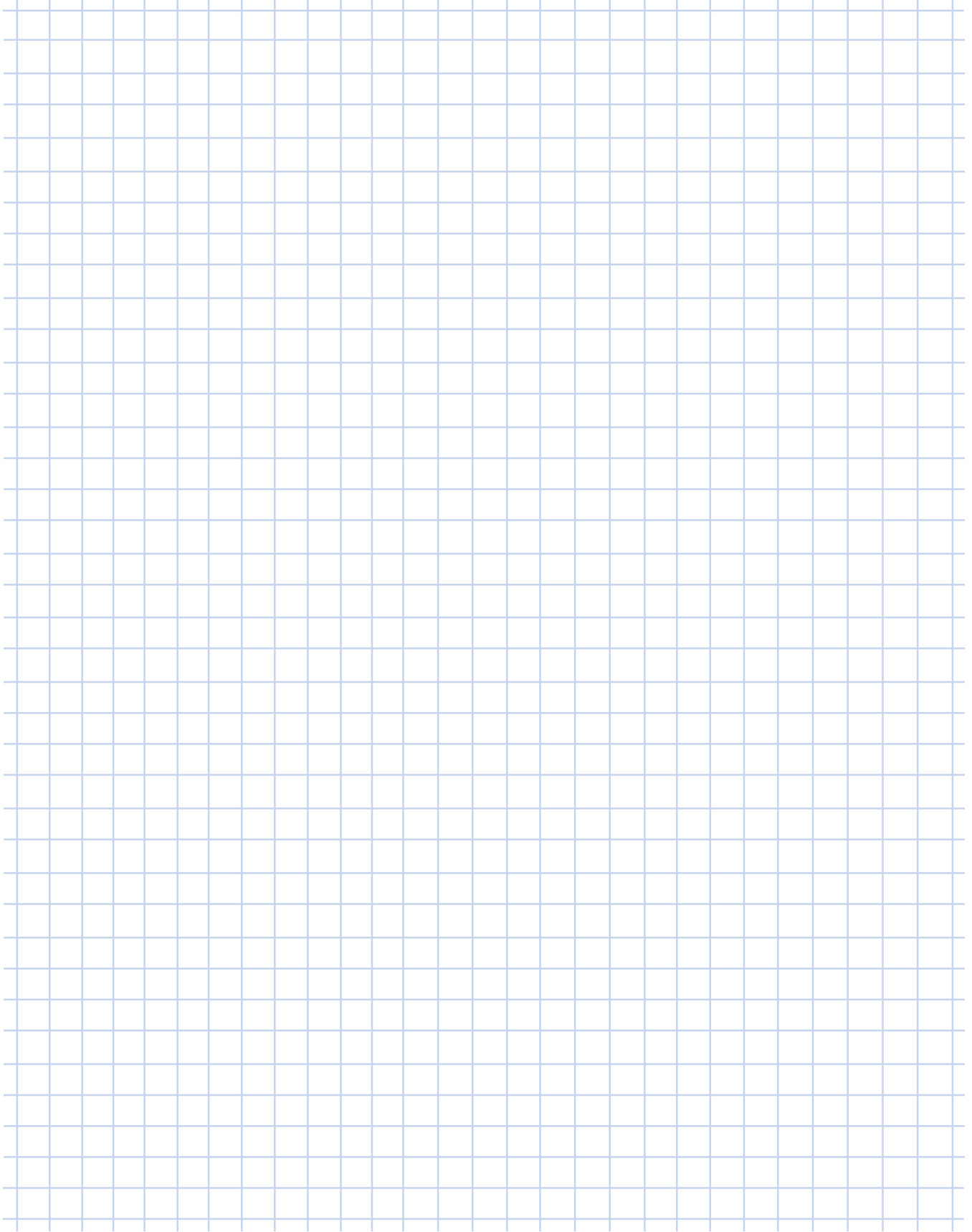
3.70 kW / 5.00 hp

TEFC

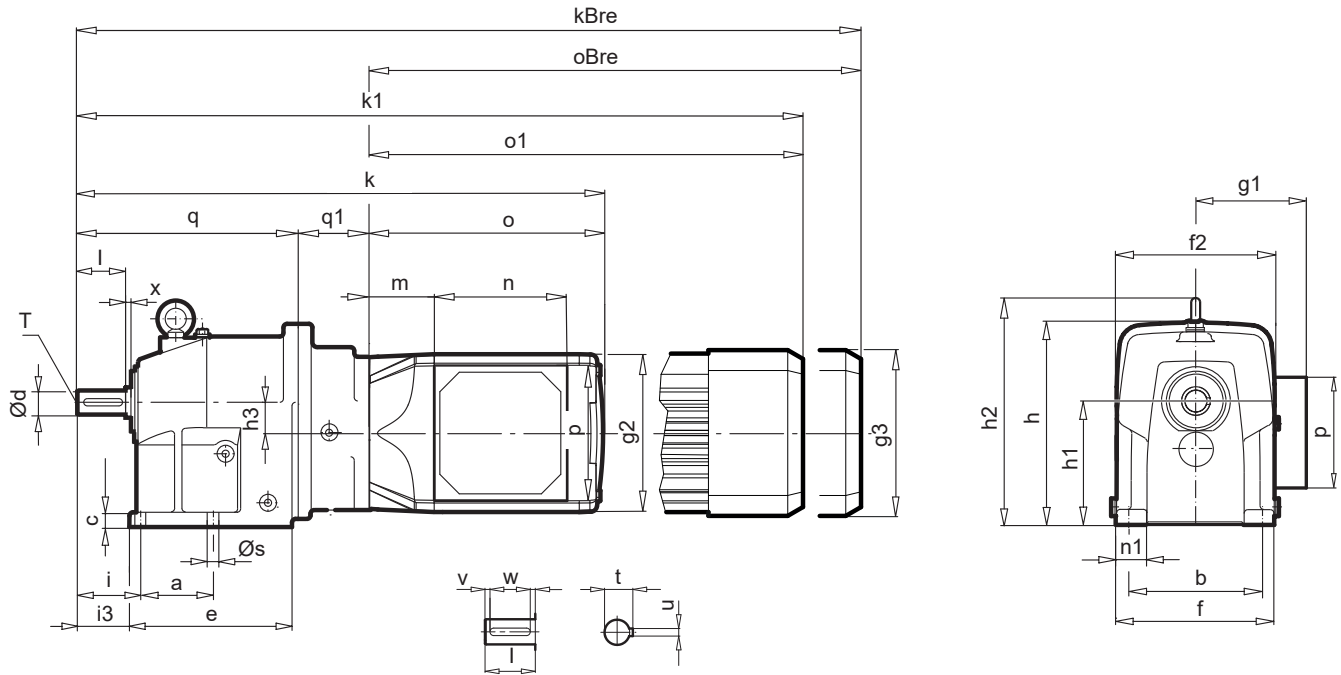
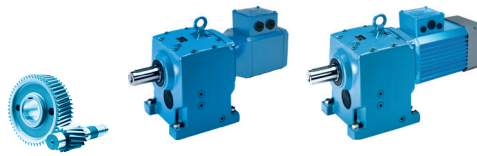


Helical gear units

P_1		n_1 n_2		M_2		f_B	i_{tot}	F_R / F_A				F_{RVL} / F_{AVL}				Model type	📦	
[kW]	[hp]	[rpm]	[rpm]	[Nm]	[lb-in]			F_R	F_A	F_{RVL}	F_{AVL}	F_{RVL}	F_{AVL}		[kg]		[lb]	
3.70	5.00	2400	179	197	1759	0.8	13.39	0	0	1.89	420	4.66	4.66	4.66	4.66	SK 12 - 90 F4/8	25.6	56.4
		2400	225	157	1403	0.9	10.70	0	0	2.16	480	4.82	4.82	4.82	4.82			
		2400	249	142	1267	1.0	9.65	0	0	2.12	470	4.87	4.87	4.87	4.87			
		2400	281	126	1122	1.0	8.56	0	0	2.15	480	4.91	4.91	4.91	4.91			
		2400	306	116	1031	1.1	7.85	0	0	2.10	470	4.94	4.94	4.94	4.94			
		2400	329	107	957	1.2	7.28	0	0	2.17	480	4.96	4.96	4.96	4.96			
		2400	367	96.2	858	1.3	6.53	0	0	2.05	460	4.99	4.99	4.99	4.99			
		2400	415	85.2	760	1.4	5.79	0	0	2.05	460	5.00	5.00	5.00	5.00			
		2400	486	72.6	648	1.6	4.93	0.37	80	2.03	450	4.90	4.90	4.90	4.90			
		2400	534	66.1	590	1.8	4.49	0.30	60	1.92	430	4.75	4.75	4.75	4.75			
		2400	557	63.4	566	1.8	4.32	0.64	130	2.00	450	4.80	4.80	4.80	4.80			
		2400	603	58.5	522	1.9	3.98	0.54	110	1.90	430	4.66	4.66	4.66	4.66			
		2400	708	49.9	445	2.2	3.39	0.79	170	1.86	420	4.54	4.54	4.54	4.54			
		2400	810	43.6	389	2.4	2.96	0.96	200	1.82	410	4.43	4.43	4.43	4.43			

A large grid area for taking notes, consisting of a 20x20 grid of small squares. The grid is light blue and occupies most of the page.

SK 23 SK 33N



Type	Ød ^{k6}	l	t	u	v	w	a	c	e	h3	i	i3	n	p	Øs	T	x	b	f	f2	h	h1	h2	n1
SK 22	30	60	33.0	8	8	50	80	18	175	42.5	74	59	105	105	11	M10	5	160	185	200	225	125	-	30
SK 32	40	80	43.0	12	5	70	120	20	214	50	96	79	105	105	13	M16	6	185	210	200	255	155	290	40

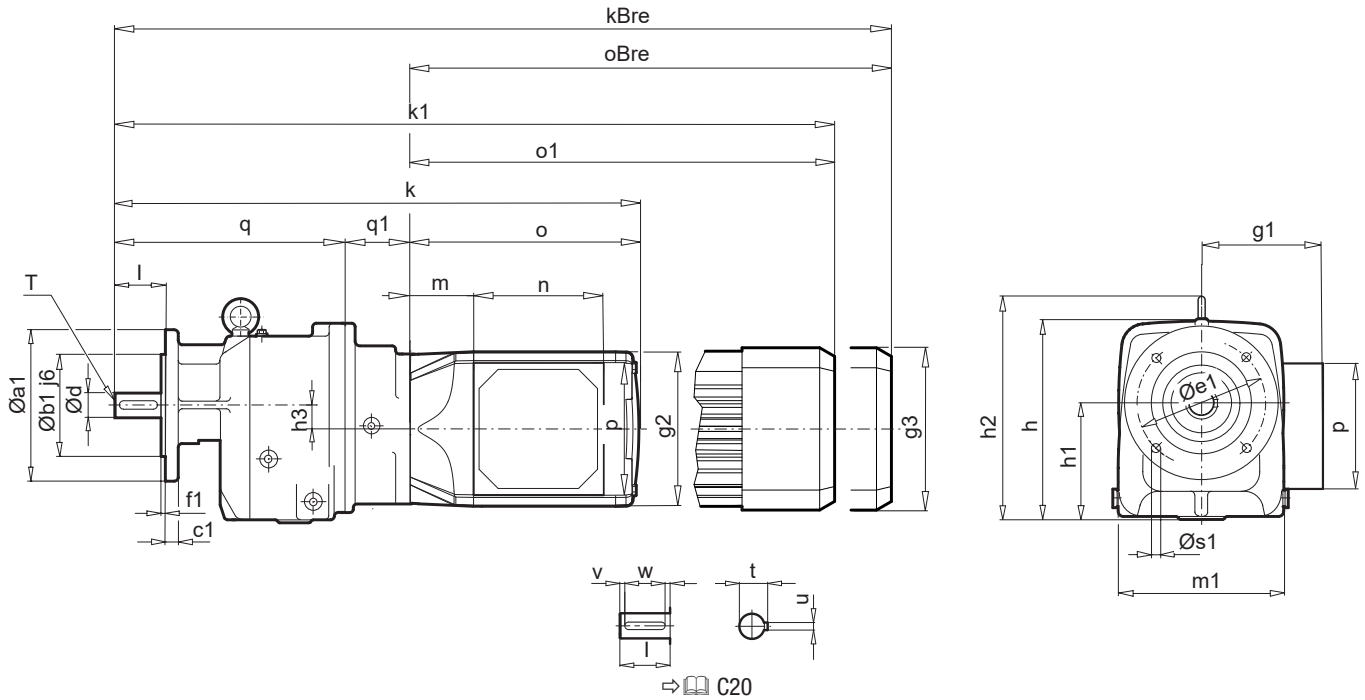
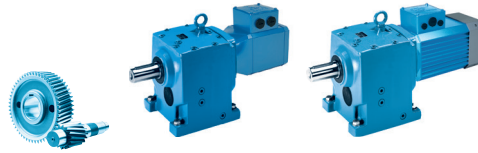
Helical gear units

Type	71 N1, N2, N3 /8										90 N1, N2, N3 /8					
	q	q1	m	k	o	kBRE	oBRE	g1	g2	m	k	o	kBRE	oBRE	g1	g2
SK 23	239	60	60.6	494	195	539	240	122	125	78.5	563	264	618	318	137	155
SK 33N	298	60	60.6	553	195	598	240	122	125	78.5	622	264	677	318	137	155

Type	71 F1, F2, F3, F4 ¹⁾ /8										90 F1, F2, F3 ¹⁾ , F4 ¹⁾ /8					
	q	q1	m	k1	o1	kBRE	oBRE	g1	g3	m	k1	o1	kBRE	oBRE	g1	g3
SK 23	239	60	60.5	550	251	587	288	122	132							
SK 33N	298	60	60.5	609	251	646	288	122	132	78.5	658	300	711	353	137	162

1) 71 F4/8 + 27 mm . 90 F3/8, F4/8 + 40 mm

All specifications in mm, unless marked otherwise.



Type	Øa1	Øb1	c1	e1	f1	Øs1
SK 23F	160	110	10	130	3.5	4 x 9
SK 23F SK 33NF	200	130	12	165	3.5	4 x 11
SK 33NF	250	180	16	215	4.0	4 x 16

Type	h	h1	h2	h3	m1	n	p	T
SK 23F	225	125	-	42.5	185	105	105	M10
SK 33NF	257	155	292	50	210	105	105	M16

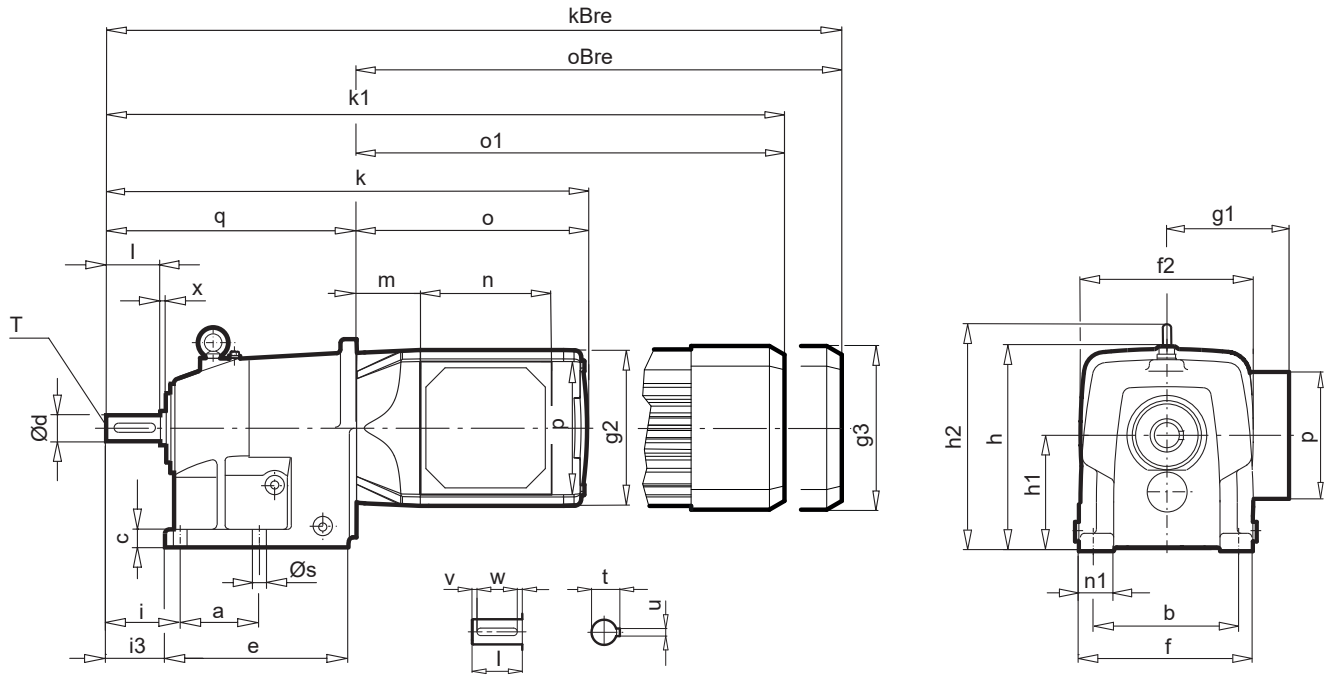
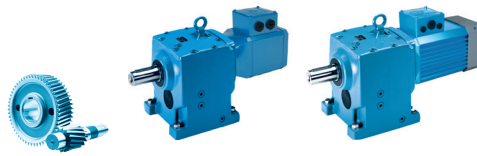
Type	71 N1, N2, N3 /8								90 N1, N2, N3 /8							
	q	q1	m	k	o	kBRE	oBRE	g1	g2	m	k	o	kBRE	oBRE	g1	g2
SK 23F	239	60	60.6	494	195	539	240	122	125	78.5	563	264	618	318	137	155
SK 33NF	298	60	60.6	553	195	598	240	122	125	78.5	622	264	677	318	137	155

Type	71 F1, F2, F3, F4 ¹⁾ /8								90 F1, F2, F3 ¹⁾ , F4 ¹⁾ /8							
	q	q1	m	k1	o1	kBRE	oBRE	g1	g3	m	k1	o1	kBRE	oBRE	g1	g3
SK 23F	239	60	60.5	550	251	587	288	122	132							
SK 33NF	298	60	60.5	609	251	646	288	122	132	78.5	658	300	711	353	137	162

All specifications in mm, unless marked otherwise.

1) 71 F4/8 + 27 mm . 90 F3/8, F4/8 + 40 mm

SK 02 SK 22
SK 12 SK 32



Type	Ød^{k6}	l	t	u	v	w	a	c	e	i	i3	n	p	Øs	T	x	b	f	f2	h	h1	h2	n1
SK 02	20	40	22.5	6	5	32	60	12	134	52	43	105	105	9	M6	4	110	130	130	151	86	-	25
SK 12	25	50	28.0	8	6	40	62	15	139	78	60	105	105	9	M10	4	105	135	130	169	102	-	30
SK 22	30	60	33.0	8	8	50	80	18	175	74	59	105	105	11	M10	5	160	185	200	225	125	-	30
SK 32	40	80	43.0	12	5	70	120	20	214	96	79	105	105	13	M16	6	185	210	200	255	155	290	40

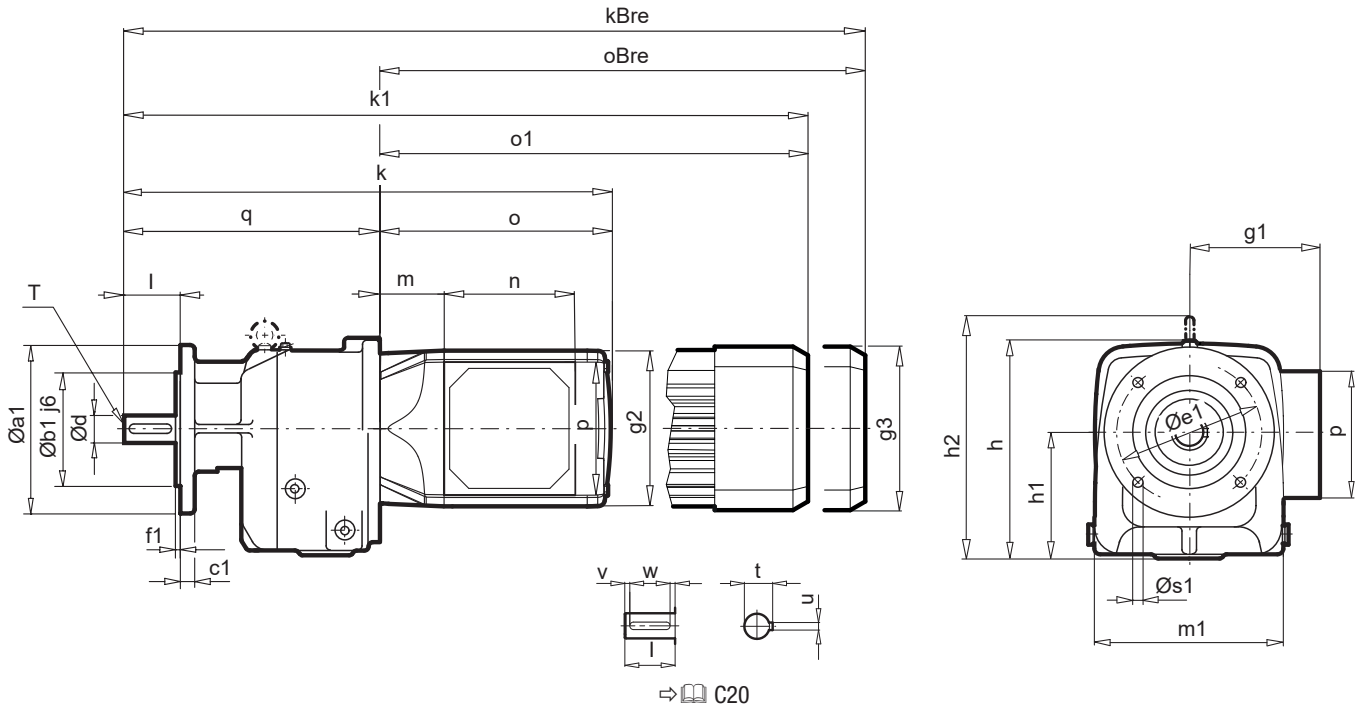
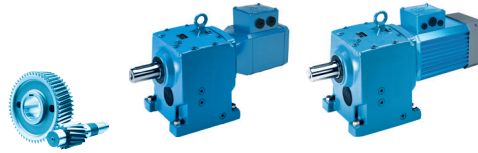
Helical gear units

Type	71 N1, N2, N3 /8								90 N1, N2, N3 /8							
	q	m	k	o	kBRE	oBRE	g1	g2	m	k	o	kBRE	oBRE	g1	g2	
SK 02	181	60.6	376	195	421	240	122	125	78.5	445	264	500	318	137	155	
SK 12	204	60.6	399	195	444	240	122	125	78.5	468	264	523	318	137	155	
SK 22	239	55	428	189	473	234	122	125								
SK 32	298	55	487	189	532	234	122	125								

Type	71 F1, F2, F3, F4 ¹⁾ /8								90 F1, F2, F3 ¹⁾ , F4 ¹⁾ /8							
	q	m	k1	o1	kBRE	oBRE	g1	g3	m	k1	o1	kBRE	oBRE	g1	g3	
SK 02	181	60.5	432	251	469	288	122	132	78.5	481	300	534	353	137	162	
SK 12	204	60.6	455	251	492	288	122	132	78.5	504	300	557	353	137	162	
SK 22	239	55	485	246	521	282	122	132								
SK 32	298	55	544	246	580	282	122	132								

1) 71 F4/8 + 27 mm . 90 F3/8, F4/8 + 40 mm

All specifications in mm, unless marked otherwise.



⇒ C20

Type	Øa1	Øb1	c1	Øe1	f1	Øs1
SK 02F SK 12F	120	80	10	100	3.0	4 x 7
SK 02F SK 12F	140	95	10	115	3.0	4 x 9
SK 02F SK 12F SK 22F	160	110	10	130	3.5	4 x 9
SK 32F	200	130	12	165	3.5	4 x 11
SK 32F	250	180	16	215	4.0	4 x 14

Type	h	h1	h2	m1	n	p	T
SK 02F	154	89	-	130	105	105	M6
SK 12F	172	106	-	135	105	105	M10
SK 22F	217	125	-	185	105	105	M10
SK 32F	257	155	292	210	105	105	M16

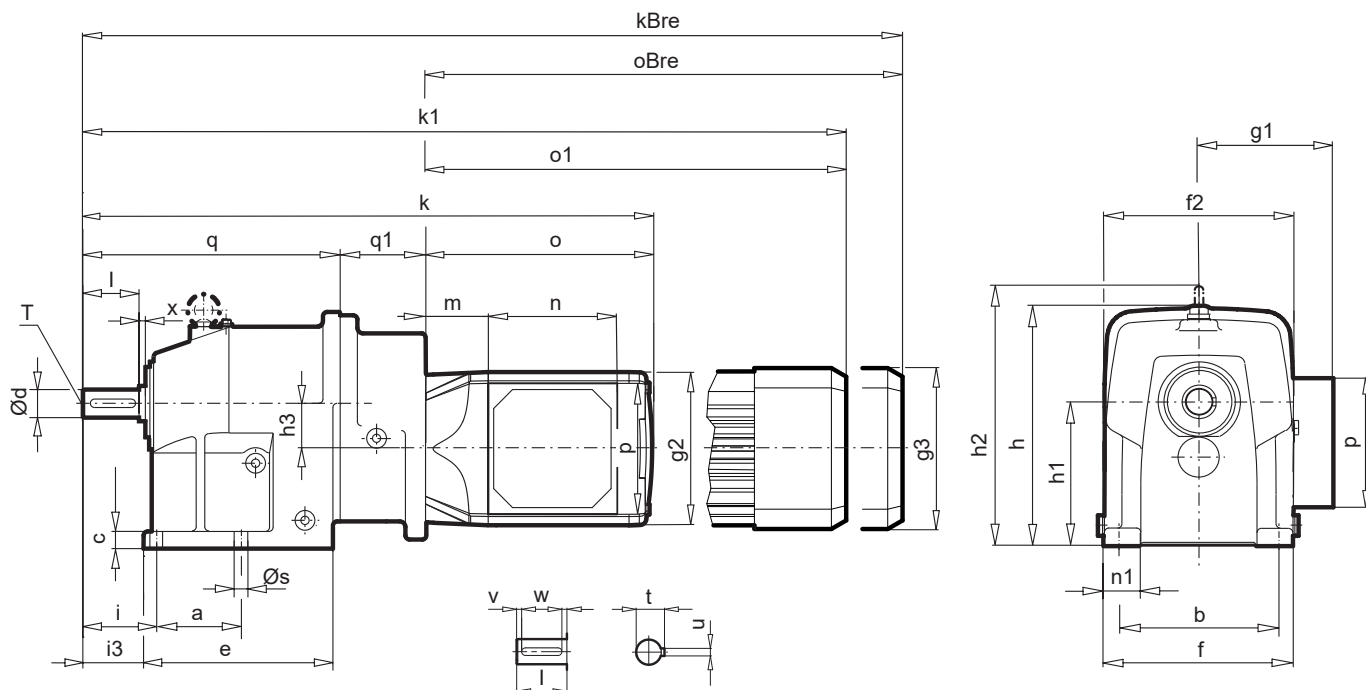
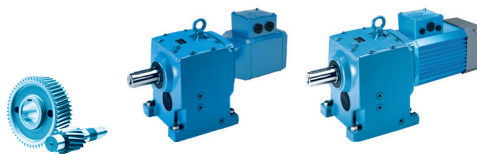
Type	71 N1, N2, N3 /8								90 N1, N2, N3 /8						
	q	m	k	o	kBRE	oBRE	g1	g2	m	k	o	kBRE	oBRE	g1	g2
SK 02F	181	60.6	376	195	421	240	122	125	78.5	445	264	500	318	137	155
SK 12F	204	60.6	399	195	444	240	122	125	78.5	468	264	523	318	137	155
SK 22F	239	55	428	189	473	234	122	125							
SK 32F	298	55	487	189	532	234	122	125							

Type	71 F1, F2, F3, F4 ¹⁾ /8								90 F1, F2, F3 ¹⁾ , F4 ¹⁾ /8						
	q	m	k1	o1	kBRE	oBRE	g1	g3	m	k1	o1	kBRE	oBRE	g1	g3
SK 02F	181	60.5	432	251	469	288	122	132	78.5	481	300	534	353	137	162
SK 12F	204	60.6	455	251	492	288	122	132	78.5	504	300	557	353	137	162
SK 22F	239	55	485	246	521	282	122	132							
SK 32F	298	55	544	246	580	282	122	132							

All specifications in mm, unless marked otherwise.

1) 71 F4/8 + 27 mm . 90 F3/8, F4/8 + 40 mm

SK 13
SK 43
SK 53



Type	Ød ^{k6}	l	t	u	v	w	a	c	e	h3	i	i3	n	p	Øs	T	x	b	f	f2	h	h1	h2	n1
SK 13	25	50	28.0	8	6	28	62	15	139	30	78	60	105	105	9	M10	4	105	135	130	169	102	-	30
SK 43	45	90	48.5	14	5	80	120	25	239	61	130	106	105	105	13	M16	6	175	215	250	300	175	326	40
SK 53	55	110	59.0	16	10	90	150	35	283	76	140	120	105	105	18	M20	6	220	260	250	337	212	382	45

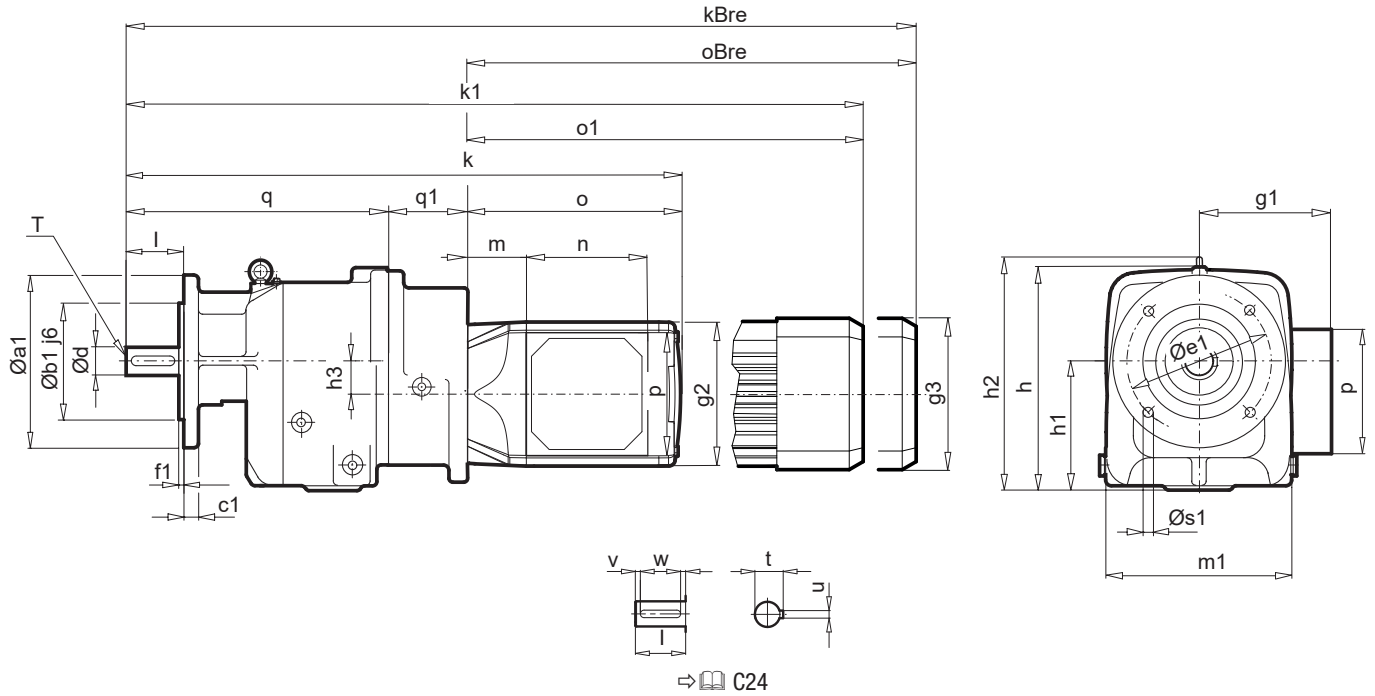
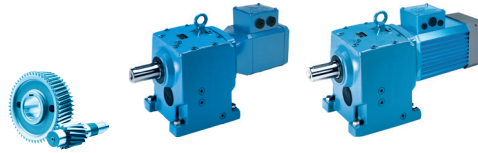
Helical gear units

Type	71 N1, N2, N3 /8										90 N1, N2, N3 /8					
	q	q1	m	k	o	kBRE	oBRE	g1	g2	m	k	o	kBRE	oBRE	g1	g2
SK 13	204	58	60.6	457	195	502	240	122	125							
SK 43	350	69	55	608	189	653	234	122	125							
SK 53	409	69	55	667	189	712	234	122	125							

Type	71 F1, F2, F3, F4 ¹⁾ /8										90 F1, F2, F3 ¹⁾ , F4 ¹⁾ /8					
	q	q1	m	k1	o1	kBRE	oBRE	g1	g3	m	k1	o1	kBRE	oBRE	g1	g3
SK 13	204	58	60.5	513	251	550	288	122	132							
SK 43	350	69	55	665	246	701	282	122	132							
SK 53	409	69	55	724	246	760	282	122	132							

1) 71 F4/8 + 27 mm . 90 F3/8, F4/8 + 40 mm

All specifications in mm, unless marked otherwise.



Type	$\varnothing a_1$	$\varnothing b_1$	c_1	$\varnothing e_1$	f_1	$\varnothing s_1$	
SK 13F	120	80	10	100	3.0	4 x 7	
SK 13F	140	95	10	115	3.0	4 x 9	
SK 13F	160	110	10	130	3.5	4 x 9	
SK 43F	200	130	14	165	3.5	4 x 11	
SK 43F	SK 53F	250	180	16	215	4.0	4 x 14
	SK 53F	300	230	20	265	4.0	4 x 14

Type	h	h_1	h_2	h_3	m_1	n	p	T
SK 13F	172	106	-	30	135	105	105	M10
SK 43 F	287	175	328	61	215	105	105	M10
SK 53 F	337	212	384	76	260	105	105	M20

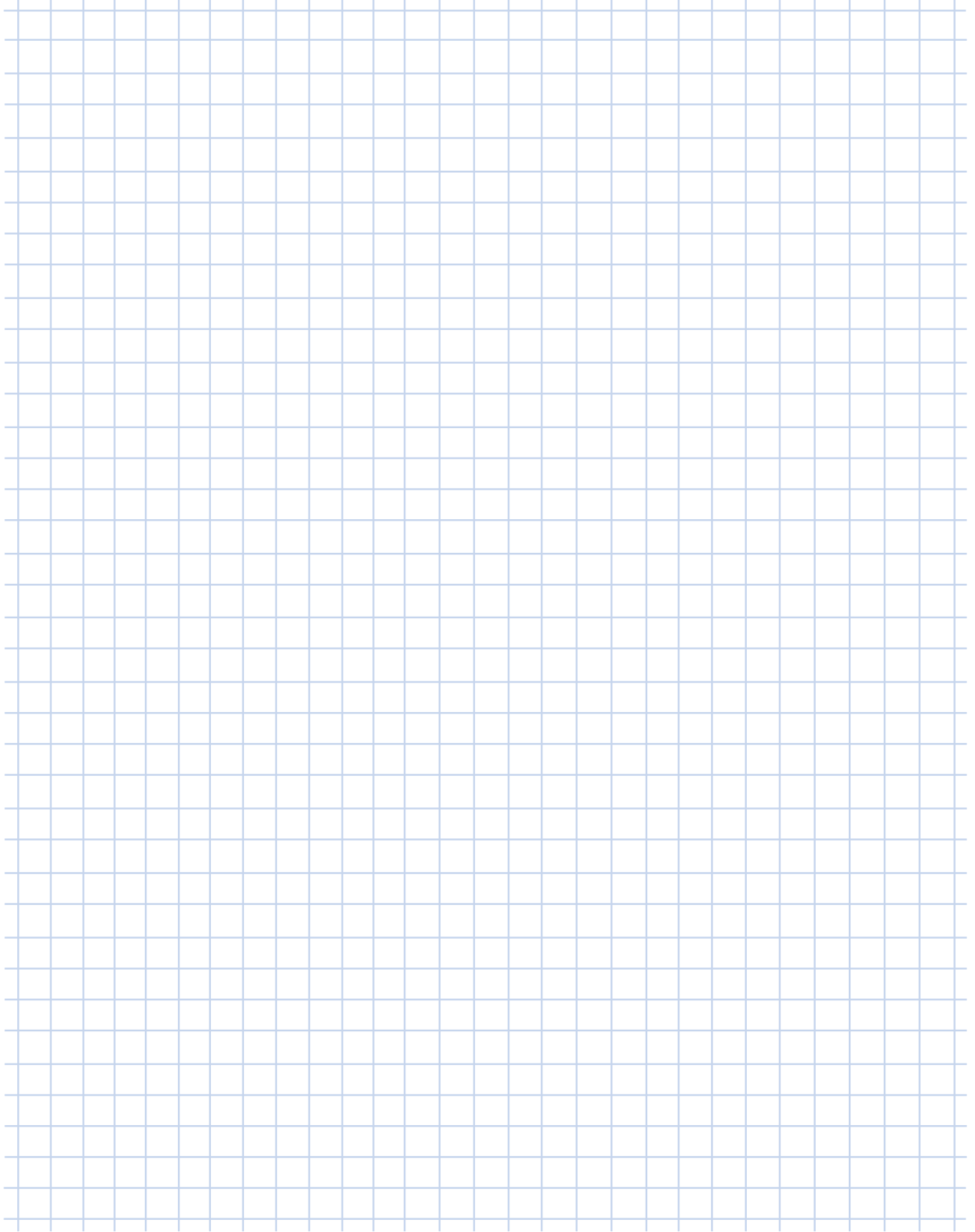
Type	71 N1, N2, N3 /8										90 N1, N2, N3 /8					
	q	q_1	m	k	o	$kBRE$	$oBRE$	g_1	g_2	m	k	o	$kBRE$	$oBRE$	g_1	g_2
SK 13F	204	58	60.6	457	195	502	240	122	125							
SK 43F	350	69	55	608	189	653	234	122	125							
SK 53 F	409	69	55	667	189	712	234	122	125							

Type	71 F1, F2, F3, F4 ¹⁾ /8										90 F1, F2, F3 ¹⁾ , F4 ¹⁾ /8					
	q	q_1	m	k_1	o_1	$kBRE$	$oBRE$	g_1	g_3	m	k_1	o_1	$kBRE$	$oBRE$	g_1	g_3
SK 13F	204	58	60.5	513	251	550	288	122	132							
SK 43F	350	69	55	665	246	701	282	122	132							
SK 53F	409	69	55	724	246	761	282	122	132							

All specifications in mm, unless marked otherwise.

1) 71 F4/8 + 27 mm . 90 F3/8, F4/8 + 40 mm

Notes

A large grid area for taking notes, consisting of a 20x20 grid of small squares. The grid is light blue and occupies most of the page.

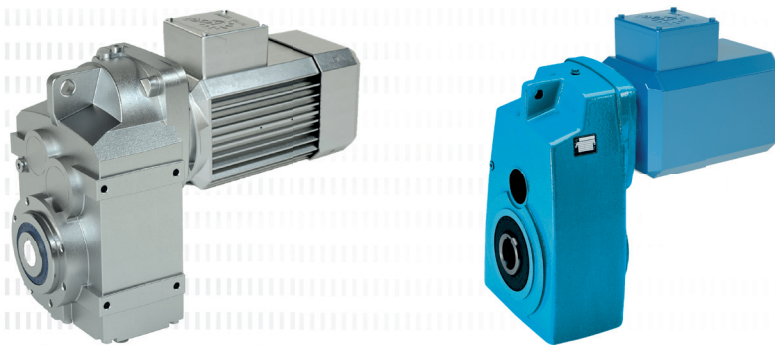
Parallel shaft gear units

Geared motor data

D 2 - 37

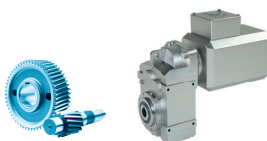
Dimensioned drawings

D 38 - 50



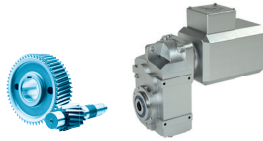
0.35 kW / 0.46 hp

TENV



NORDBLOC.1®
Parallel shaft gear units

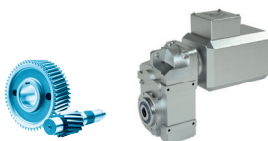
P ₁		n ₁ [rpm]	n ₂ [rpm]	M ₂		f _B	i _{tot}	F _R /F _A				F _{RVL} /F _{AVL}				Model type	📦					
[kW]	[hp]			[Nm]	[lb-in]			F _R	F _A	F _{RVL}	F _{AVL}	[kN]	[lb]	[kN]	[lb]		[kN]	[lb]	[kg]	[lb]		
0.35	0.46	2100	7.3	457	3967	0.9	287.37	3.4	860	7.2	1620					SK 1382.1 - 71 N1/8	25.4	56				
		2100	8.6	390	3385	1	245.16	4.6	1100	7.2	1620											
		2100	9.6	346	3004	1.2	217.62	5.2	1210	7.2	1620											
		2100	12	285	2474	1.4	179.22	5.8	1330	7.2	1620											
		2100	13	253	2196	1.6	159.09	6.0	1390	7.2	1620											
		2100	15	216	1874	1.9	135.72	6.3	1440	7.2	1620											
		2100	17	193	1678	2.1	121.52	6.4	1460	7.2	1620											
		2100	20	165	1431	2.4	103.68	6.5	1490	7.2	1620											
		2100	22	155	1342	2.6	97.22	6.6	1500	7.2	1620											
		2100	25	132	1145	3	82.94	6.6	1520	7.2	1620											
		2100	31	109	946	3.7	68.5	6.7	1510	7.2	1620											
		2100	35	95.9	832	4.2	60.26	6.5	1460	7.2	1620											
		2100	39	86.4	750	4.6	54.32	6.3	1420	7.2	1620											
		2100	41	81.8	710	4.9	51.41	6.2	1400	7.2	1620											
				2100	7.3	457	3967	0.9	287.37	3.4	860	7.2	1620							SK 1382.1 - 71 N1/8	19.4	42.8
				2100	8.6	390	3385	1	245.16	4.6	1100	7.2	1620									
				2100	9.6	346	3004	1.2	217.62	5.2	1210	7.2	1620									
				2100	12	285	2474	1.4	179.22	5.8	1330	7.2	1620									
				2100	13	253	2196	1.6	159.09	6.0	1390	7.2	1620									
				2100	15	216	1874	1.9	135.72	6.3	1440	7.2	1620									
2100	17			193	1678	2.1	121.52	6.4	1460	7.2	1620											
2100	20			165	1431	2.4	103.68	6.5	1490	7.2	1620											
2100	22			155	1342	2.6	97.22	6.6	1500	7.2	1620											
2100	25			132	1145	3	82.94	6.6	1520	7.2	1620											
2100	31			109	946	3.7	68.5	6.7	1510	7.2	1620											
2100	35			95.9	832	4.2	60.26	6.5	1460	7.2	1620											
2100	39			86.4	750	4.6	54.32	6.3	1420	7.2	1620											
2100	41			81.8	710	4.9	51.41	6.2	1400	7.2	1620											
				2100	15	224	1946	0.9	140.98	3.0	740	5.0	1120				SK 0282.1 - 71 N1/8	13.1	28.9			
				2100	19	177	1532	1.1	110.96	3.5	840	5.0	1120									
				2100	20	165	1434	1.2	103.89	3.6	860	5.0	1120									
				2100	23	147	1277	1.4	92.51	3.7	890	5.0	1120									
				2100	28	120	1045	1.7	75.69	3.9	920	5.0	1120									
				2100	32	106	920	1.9	66.66	4.0	940	5.0	1120									
		2100	40	84.4	732	2.1	53.03	4.0	950	5.0	1120											
		2100	48	69.7	604	2.9	43.78	4.1	960	5.0	1120											
		2100	55	60.7	527	3.3	38.14	4.1	970	5.0	1120											
		2100	63	53.2	462	3.8	33.44	4.1	970	5.0	1120											
		2100	71	47.0	408	4.3	29.56	4.1	970	5.0	1120											
		2100	80	41.9	363	4.8	26.32	4.2	980	5.0	1120											
		2100	24	138	1198	0.8	86.8	4.7	1110	5.8	1300				SK 0182.1 - 71 N1/8	11.0	24.3					
		2100	28	119	1032	0.9	74.73	4.8	1100	5.8	1300											
		2100	33	102	884	1.1	64.03	4.7	1070	5.8	1300											
		2100	36	93.0	807	1.4	58.43	4.6	1050	5.8	1300											
		2100	42	78.7	683	1.7	49.46	4.5	1000	5.8	1300											
		2100	48	70.0	607	1.9	43.98	4.3	980	5.8	1300											




P_1		n_1	n_2	M_2		f_B	i_{tot}	F_R / F_A				F_{RVL} / F_{AVL}				Model type	📦				
[kW]	[hp]			[rpm]	[Nm]			[lb-in]	F_R	F_A	F_{RVL}	F_{AVL}	[kN]	[lb]	[kN]		[lb]	[kg]	[lb]		
0.35	0.46	2100	54	61.4	533	2.1	38.61	4.2	950	5.8	1300			SK 0182.1 - 71 N1/8	11.0	24.3					
		2100	62	54.3	471	2.4	34.13	4.1	920	5.8	1300										
		2100	66	50.6	439	2.6	31.8	4.0	900	5.8	1300										
		2100	75	44.4	385	2.9	27.92	3.9	870	5.8	1300										
		2100	85	39.3	341	3.3	24.68	3.7	840	5.8	1300										
		2100	94	35.7	310	3.4	22.43	3.6	820	5.8	1300										
		2100	106	31.6	274	3.8	19.83	3.5	790	5.8	1300										
		2100	129	25.8	224	5	16.24	3.3	750	5.8	1300			SK 0182.1 - 71 N1/8	10.7	23.5					
0.70	0.95	2100	13	506	4536	0.8	159.09	2.0	470	7.2	1620			SK 1382.1 - 71 N2/8	26.5	58.4					
		2100	15	432	3870	0.9	135.72	4.0	910	7.2	1620										
		2100	17	387	3465	1	121.52	4.7	1070	7.2	1620										
		2100	20	330	2956	1.2	103.68	5.4	1220	7.2	1620										
		2100	22	309	2772	1.3	97.22	5.6	1270	7.2	1620										
		2100	25	264	2365	1.5	82.94	5.9	1360	7.2	1620										
		2100	31	218	1953	1.8	68.5	5.9	1330	7.2	1620										
		2100	35	192	1718	2.1	60.26	5.8	1300	7.2	1620										
		2100	39	173	1549	2.3	54.32	5.7	1280	7.2	1620										
		2100	41	164	1466	2.4	51.41	5.6	1260	7.2	1620										
		2100	48	141	1260	2.8	44.19	5.5	1230	7.2	1620										
		2100	54	123	1102	3.2	38.67	5.3	1190	7.2	1620										
		2100	64	105	941	3.8	32.99	5.1	1150	7.2	1620										
		2100	74	90.8	814	4.4	28.54	4.9	1110	7.2	1620										
				2100	13	506	4536	0.8	159.09	2.0	470	7.2	1620						SK 1382.1 - 71 N2/8	20.5	45.2
				2100	15	432	3870	0.9	135.72	4.0	910	7.2	1620								
				2100	17	387	3465	1	121.52	4.7	1070	7.2	1620								
		2100	20	330	2956	1.2	103.68	5.4	1220	7.2	1620										
		2100	22	309	2772	1.3	97.22	5.6	1270	7.2	1620										
		2100	25	264	2365	1.5	82.94	5.9	1360	7.2	1620										
		2100	31	218	1953	1.8	68.5	5.9	1330	7.2	1620										
		2100	35	192	1718	2.1	60.26	5.8	1300	7.2	1620										
		2100	39	173	1549	2.3	54.32	5.7	1280	7.2	1620										
		2100	41	164	1466	2.4	51.41	5.6	1260	7.2	1620										
		2100	48	141	1260	2.8	44.19	5.5	1230	7.2	1620										
		2100	54	123	1102	3.2	38.67	5.3	1190	7.2	1620										
		2100	64	105	941	3.8	32.99	5.1	1150	7.2	1620										
		2100	74	90.8	814	4.4	28.54	4.9	1110	7.2	1620										
		2100	28	241	2158	0.8	75.69	2.7	670	5.0	1120			SK 0282.1 - 71 N2/8	14.2	31.4					
		2100	32	212	1901	0.9	66.66	3.1	750	5.0	1120										
		2100	40	169	1512	1.1	53.03	3.6	850	5.0	1120										
		2100	48	139	1248	1.4	43.78	3.8	890	5.0	1120										
		2100	55	121	1087	1.6	38.14	3.9	920	5.0	1120										
		2100	63	106	953	1.9	33.44	4.0	930	5.0	1120										
		2100	71	94.1	843	2.1	29.56	4.0	940	5.0	1120										
		2100	80	83.8	750	2.4	26.32	4.0	940	5.0	1120										
		2100	98	68.5	614	2.9	21.53	4.0	890	5.0	1120										
		2100	111	60.4	541	3.3	18.96	3.9	870	5.0	1120										

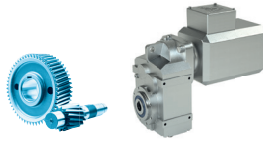
0.70 kW / 0.95 hp
1.05 kW / 1.40 hp


TENV



NORDBLOC.1®
Parallel shaft gear units

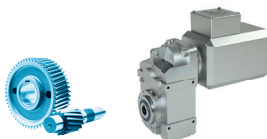
P ₁		n ₁	n ₂	M ₂		f _B	i _{tot}	F _R /F _A				F _{RVL} /F _{AVL}				Model type	 [kg] [lb]	
								F _R	F _A	F _{RVL}	F _{AVL}	F _{RVL}	F _{AVL}					
[kW]	[hp]	[rpm]	[rpm]	[Nm]	[lb-in]			[kN]	[lb]	[kN]	[lb]	[kN]	[lb]	[kN]	[lb]			
0.70	0.95	2100	115	58.1	520	3.4	18.24	3.8	860	5.0	1120					SK 0282.1 - 71 N2/8	13.9	30.7
		2100	130	51.3	460	3.9	16.12	3.7	830	5.0	1120							
		2100	146	45.7	409	4.4	14.36	3.6	810	5.0	1120							
		2100	164	40.7	364	4.9	12.78	3.5	780	5.0	1120							
	2100	42	157	1410	0.8	49.46	3.7	840	5.8	1300					SK 0182.1 - 71 N2/8	12.1	26.7	
	2100	48	140	1254	0.9	43.98	3.7	830	5.8	1300								
	2100	54	123	1101	1.1	38.61	3.6	820	5.8	1300								
	2100	62	109	973	1.2	34.13	3.6	800	5.8	1300								
	2100	66	101	907	1.3	31.80	3.5	790	5.8	1300								
	2100	75	88.9	796	1.5	27.92	3.5	780	5.8	1300								
	2100	85	78.5	704	1.7	24.68	3.4	760	5.8	1300								
	2100	94	71.4	640	1.7	22.43	3.3	740	5.8	1300								
	2100	106	63.1	565	1.9	19.83	3.2	720	5.7	1280								
	2100	129	51.7	463	2.5	16.24	3.1	690	5.5	1220					SK 0182.1 - 71 N2/8	11.8	26.0	
	2100	147	45.4	406	2.9	14.25	3.0	670	5.3	1180								
	2100	161	41.5	372	3.1	13.05	2.9	660	5.1	1150								
2100	183	36.5	327	3.6	11.45	2.8	640	5.0	1120									
2100	207	32.2	289	4.0	10.13	2.7	620	4.8	1080									
2100	237	28.2	253	4.6	8.87	2.7	600	4.7	1050									
2100	257	26.0	233	5.0	8.18	2.6	580	4.5	1020									
1.05	1.40	2100	20	495	4356	0.8	103.68	2.4	630	7.2	1620							SK 1382.1 - 71 N3/8
		2100	22	464	4085	0.9	97.22	3.3	800	7.2	1620							
		2100	25	396	3485	1.0	82.94	4.5	1060	7.2	1620							
		2100	31	327	2878	1.2	68.50	5.2	1160	7.2	1620							
		2100	35	288	2532	1.4	60.26	5.1	1150	7.2	1620							
		2100	39	259	2282	1.5	54.32	5.1	1140	7.2	1620							
		2100	41	245	2160	1.6	51.41	5.0	1130	7.2	1620							
		2100	48	211	1857	1.9	44.19	5.0	1120	7.2	1620							
		2100	54	185	1625	2.2	38.67	4.9	1100	7.2	1620							
		2100	64	158	1386	2.5	32.99	4.7	1060	7.2	1620							
		2100	74	136	1199	2.9	28.54	4.6	1040	7.2	1620							
		2100	20	495	4356	0.8	103.68	2.4	630	7.2	1620				SK 1382.1 - 71 N3/8	21.5	47.4	
	2100	22	464	4085	0.9	97.22	3.3	800	7.2	1620								
	2100	25	396	3485	1.0	82.94	4.5	1060	7.2	1620								
	2100	31	327	2878	1.2	68.5	5.2	1160	7.2	1620								
	2100	35	288	2532	1.4	60.26	5.1	1150	7.2	1620								
	2100	39	259	2282	1.5	54.32	5.1	1140	7.2	1620								
	2100	41	245	2160	1.6	51.41	5.0	1130	7.2	1620								
	2100	48	211	1857	1.9	44.19	5.0	1120	7.2	1620								
	2100	54	185	1625	2.2	38.67	4.9	1100	7.2	1620								
2100	64	158	1386	2.5	32.99	4.7	1060	7.2	1620									
2100	74	136	1199	2.9	28.54	4.6	1040	7.2	1620									




P_1		n_1	n_2	M_2		f_B	i_{tot}	F_R / F_A				F_{RVL} / F_{AVL}				Model type			
[kW]	[hp]			[Nm]	[lb-in]			F_R	F_A	F_{RVL}	F_{AVL}	[kN]	[lb]	[kN]	[lb]		[kN]	[lb]	[kg]
1.05	1.40	2100	85	117	1032	3.4	24.57	4.5	1010	7.2	1620								
		2100	100	100	881	4.0	20.96	4.3	970	7.2	1620								
		2100	108	93.2	820	4.3	19.52	4.3	960	7.2	1620								
		2100	126	79.5	700	5.0	16.66	4.1	920	7.0	1570								
		2100	85	117	1032	3.4	24.57	4.5	1010	7.2	1620								
		2100	100	100	881	4.0	20.96	4.3	970	7.2	1620								
		2100	108	93.2	820	4.3	19.52	4.3	960	7.2	1620								
		2100	126	79.5	700	5.0	16.66	4.1	920	7.0	1570								
			2100	85	117	1032	3.4	24.57	4.5	1010	7.2	1620							
			2100	100	100	881	4.0	20.96	4.3	970	7.2	1620							
			2100	108	93.2	820	4.3	19.52	4.3	960	7.2	1620							
			2100	126	79.5	700	5.0	16.66	4.1	920	7.0	1570							
			2100	48	209	1839	1.0	43.78	3.2	770	5.0	1120							
			2100	55	182	1602	1.1	38.14	3.4	830	5.0	1120							
			2100	63	160	1405	1.3	33.44	3.6	870	5.0	1120							
			2100	71	141	1242	1.4	29.56	3.8	880	5.0	1120							
		2100	80	126	1106	1.6	26.32	3.8	860	5.0	1120								
		2100	98	103	905	1.9	21.53	3.7	830	5.0	1120								
		2100	111	90.6	797	2.2	18.96	3.6	810	5.0	1120								
		2100	115	87.1	766	2.3	18.24	3.6	810	5.0	1120								
		2100	130	77.0	677	2.6	16.12	3.5	790	5.0	1120								
		2100	146	68.5	603	2.9	14.36	3.4	770	5.0	1120								
		2100	164	61.0	537	3.3	12.78	3.3	740	5.0	1120								
		2100	186	53.9	475	3.7	11.30	3.2	720	5.0	1120								
		2100	209	48.0	423	4.2	10.06	3.1	700	5.0	1120								
		2100	229	43.7	385	4.6	9.18	3.1	690	5.0	1120								
		2100	62	163	1434	0.8	34.13	3.1	700	5.6	1270								
		2100	66	152	1336	0.9	31.80	3.1	690	5.6	1260								
		2100	75	133	1173	1.0	27.92	3.1	690	5.5	1240								
		2100	85	118	1037	1.1	24.68	3.0	680	5.4	1230								
		2100	94	107	943	1.1	22.43	3.0	670	5.3	1200								
		2100	106	94.7	833	1.3	19.83	2.9	660	5.2	1180								
		2100	129	77.5	682	1.7	16.24	2.9	640	5.1	1150								
		2100	147	68.1	599	1.9	14.25	2.8	630	5.0	1120								
		2100	161	62.3	548	2.1	13.05	2.7	610	4.8	1090								
		2100	183	54.7	481	2.4	11.45	2.7	600	4.7	1060								
		2100	207	48.3	425	2.7	10.13	2.6	580	4.6	1030								
		2100	237	42.3	373	3.1	8.87	2.5	570	4.5	1000								
		2100	257	39.1	344	3.3	8.18	2.5	560	4.4	980								
		2100	295	34.0	299	3.8	7.12	2.4	540	4.1	920								
		2100	337	29.7	262	4.4	6.23	2.3	520	3.9	870								
		2100	379	26.5	233	4.5	5.54	2.2	500	3.7	830								

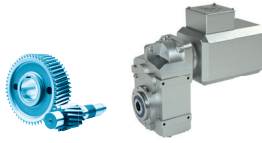
1.10 kW / 1.50 hp


TENV



NORDBLOC.1®
Parallel shaft gear units

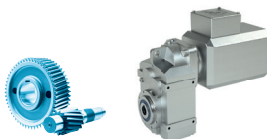
P_1		n_1	n_2	M_2		f_B	i_{tot}	F_R / F_A				F_{RVL} / F_{AVL}				Model type	 [kg] [lb]			
[kW]	[hp]							[Nm]	[lb-in]	F_R	[lb]	F_A	[kN]	[lb]	F_{RVL}				[kN]	[lb]
1.10	1.50	2100	22	486	4377	0.8	97.22	2.7	610	7.2	1620									
		2100	25	415	3734	1.0	82.94	4.3	970	7.2	1620									
		2100	39	272	2445	1.5	54.32	5.0	1120	7.2	1620									
		2100	48	221	1989	1.8	44.19	4.9	1090	7.2	1620									
		2100	54	193	1741	2.1	38.67	4.8	1080	7.2	1620									
		2100	64	165	1485	2.4	32.99	4.7	1040	7.2	1620									
		2100	74	143	1285	2.8	28.54	4.6	1020	7.2	1620									
		2100	22	486	4377	0.8	97.22	2.7	610	7.2	1620									
		2100	25	415	3734	1.0	82.94	4.3	970	7.2	1620									
		2100	39	272	2445	1.5	54.32	5.0	1120	7.2	1620									
		2100	48	221	1989	1.8	44.19	4.9	1090	7.2	1620									
		2100	54	193	1741	2.1	38.67	4.8	1080	7.2	1620									
		2100	64	165	1485	2.4	32.99	4.7	1040	7.2	1620									
		2100	74	143	1285	2.8	28.54	4.6	1020	7.2	1620									
		2100	108	97.7	879	4.1	19.52	4.2	950	7.2	1620									
		2100	126	83.3	750	4.8	16.66	4.1	910	6.9	1550									
		2100	108	97.7	879	4.1	19.52	4.2	950	7.2	1620									
		2100	126	83.3	750	4.8	16.66	4.1	910	6.9	1550									
		2100	63	167	1505	1.2	33.44	3.6	850	5.0	1120									
		2100	71	148	1331	1.4	29.56	3.7	860	5.0	1120									
		2100	80	132	1185	1.5	26.32	3.8	850	5.0	1120									
		2100	98	108	969	1.9	21.53	3.7	820	5.0	1120									
		2100	111	94.9	854	2.1	18.96	3.6	800	5.0	1120									
		2100	146	71.8	646	2.8	14.36	3.4	760	5.0	1120									
		2100	209	50.3	453	4.0	10.06	3.1	690	5.0	1120									
		2100	229	45.8	412	4.4	9.18	3.0	680	5.0	1120									
		2100	255	41.2	370	4.9	8.24	2.9	660	5.0	1120									
		2100	66	159	1432	0.8	31.8	3.0	670	5.5	1230									
		2100	75	140	1257	0.9	27.92	3.0	670	5.4	1210									
		2100	85	123	1111	1.1	24.68	3.0	660	5.4	1200									
		2100	94	112	1010	1.1	22.43	2.9	650	5.3	1170									
		2100	106	99.2	893	1.2	19.83	2.9	640	5.2	1160									
		2100	207	50.6	456	2.6	10.13	2.6	580	4.5	1020									
		2100	237	44.4	399	2.9	8.87	2.5	560	4.4	990									
		2100	257	40.9	368	3.2	8.18	2.5	550	4.3	970									
		2100	295	35.6	321	3.6	7.12	2.4	530	4.1	910									
		2100	337	31.2	280	4.2	6.23	2.3	520	3.9	860									
		2100	379	27.7	249	4.3	5.54	2.2	500	3.7	820									
		2100	433	24.2	218	5.0	4.85	2.2	480	3.5	780									




P_1		n_1	n_2	M_2		f_B	i_{tot}	F_R / F_A				F_{RVL} / F_{AVL}				Model type		
[kW]	[hp]							[Nm]	[lb-in]	F_R	F_A	F_{RVL}	F_{AVL}	[kN]	[lb]			
1.50	2.00	2100	39	370	3260	1.1	54.32	4.3	970	7.2	1620				SK 1382.1 - 90 N2/8	31.3	69.0	
		2100	48	301	2652	1.3	44.19	4.3	970	7.2	1620							
		2100	54	264	2321	1.5	38.67	4.3	970	7.2	1620							
		2100	64	225	1980	1.8	32.99	4.2	950	7.2	1620							
		2100	74	195	1713	2.1	28.54	4.2	950	7.2	1620							
		2100	39	370	3260	1.1	54.32	4.3	970	7.2	1620				SK 1382.1 - 90 N2/8	25.3	55.8	
		2100	48	301	2652	1.3	44.19	4.3	970	7.2	1620							
		2100	54	264	2321	1.5	38.67	4.3	970	7.2	1620							
		2100	64	225	1980	1.8	32.99	4.2	950	7.2	1620							
		2100	74	195	1713	2.1	28.54	4.2	950	7.2	1620							
		2100	108	133	1172	3.0	19.52	4.0	900	6.9	1540				SK 1282.1 - 90 N2/8	30.8	67.9	
		2100	126	114	1000	3.5	16.66	3.8	870	6.6	1490							
		2100	153	93.7	825	4.3	13.74	3.7	830	6.3	1420							
		2100	172	83.1	732	4.8	12.19	3.6	810	6.2	1380							
		2100	108	133	1172	3.0	19.52	4.0	900	6.9	1540				SK 1282.1 - 90 N2/8	24.8	54.7	
		2100	126	114	1000	3.5	16.66	3.8	870	6.6	1490							
		2100	153	93.7	825	4.3	13.74	3.7	830	6.3	1420							
		2100	172	83.1	732	4.8	12.19	3.6	810	6.2	1380							
		2100	63	228	2007	0.9	33.44	2.9	720	5.0	1120				SK 0282.1 - 90 N2/8	19.0	42.0	
		2100	71	202	1774	1.0	29.56	3.2	770	5.0	1120							
		2100	80	180	1580	1.1	26.32	3.4	760	5.0	1120							
		2100	98	147	1293	1.4	21.53	3.3	750	5.0	1120							
		2100	111	129	1138	1.5	18.96	3.3	740	5.0	1120							
		2100	146	97.9	862	2.0	14.36	3.2	710	5.0	1120				SK 0282.1 - 90 N2/8	18.7	41.2	
		2100	209	68.6	604	2.9	10.06	2.9	660	5.0	1120							
		2100	229	62.5	550	3.2	9.18	2.9	650	5.0	1120							
		2100	255	56.1	494	3.6	8.24	2.8	630	5.0	1120							
		2100	308	46.5	409	4.3	6.82	2.7	610	4.8	1070							
		2100	327	43.8	385	4.1	6.43	2.7	600	4.6	1040							
		2100	384	37.3	329	4.3	5.47	2.6	580	4.3	970							
		2100	439	32.6	287	4.9	4.79	2.5	560	4.1	920							
		2100	85	168	1481	0.8	24.68	2.6	580	4.7	1070				SK 0182.1 - 90 N2/8	16.9	37.3	
		2100	94	153	1346	0.8	22.43	2.5	570	4.7	1050							
		2100	106	135	1190	0.9	19.83	2.5	570	4.6	1050							
		2100	207	69.1	608	1.9	10.13	2.4	540	4.3	960				SK 0182.1 - 90 N2/8	16.6	36.6	
		2100	237	60.5	532	2.1	8.87	2.4	530	4.2	940							
		2100	257	55.8	491	2.3	8.18	2.3	520	4.0	900							
		2100	295	48.6	428	2.7	7.12	2.3	510	3.8	860							
		2100	337	42.5	374	3.1	6.23	2.2	490	3.6	820							
		2100	379	37.8	333	3.2	5.54	2.1	480	3.5	780							
		2100	433	33.1	291	3.6	4.85	2.1	460	3.3	740							

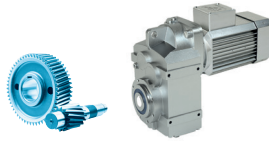
2.20 kW / 3.00 hp

TENV



NORDBLOC.1®
Parallel shaft gear units

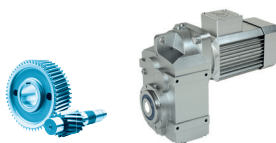
P_1		n_1	n_2	M_2		f_B	i_{tot}	F_R / F_A				F_{RVL} / F_{AVL}				Model type	 [kg] [lb]				
[kW]	[hp]							[Nm]	[lb-in]	F_R	F_A	F_{RVL}	F_{AVL}	[kN]	[lb]				[kN]	[lb]	
2.20	3.00	2100	48	442	3979	0.9	44.19	3.3	730	6.2	1380			SK 1382.1 - 90 N3/8	33.7	74.3					
		2100	54	387	3481	1.0	38.67	3.4	760	6.3	1410										
		2100	64	330	2970	1.2	32.99	3.5	770	6.3	1400										
		2100	74	286	2570	1.4	28.54	3.6	790	6.4	1420										
2.20	3.00	2100	48	442	3979	0.9	44.19	3.3	730	6.2	1380			SK 1382.1 - 90 N3/8	27.7	61.1					
		2100	54	387	3481	1.0	38.67	3.4	760	6.3	1410										
		2100	64	330	2970	1.2	32.99	3.5	770	6.3	1400										
		2100	74	286	2570	1.4	28.54	3.6	790	6.4	1420										
2.20	3.00	2100	108	195	1758	2.0	19.52	3.5	790	6.2	1390			SK 1282.1 - 90 N3/8	33.2	73.2					
		2100	126	167	1500	2.4	16.66	3.5	770	6.0	1350										
		2100	153	137	1237	2.9	13.74	3.4	760	5.9	1310										
		2100	172	122	1097	3.3	12.19	3.3	740	5.7	1290										
		2100	193	109	979	3.7	10.88	3.3	730	5.6	1260										
		2100	217	96.7	871	3.7	9.67	3.2	720	5.4	1210										
		2100	255	82.5	743	3.9	8.25	3.1	690	5.1	1140										
		2100	281	74.8	673	4.3	7.47	3.0	680	4.9	1100										
		2100	329	63.8	574	4.5	6.38	2.9	660	4.6	1040										
		2100	402	52.3	470	4.9	5.22	2.8	620	4.2	950										
		2.20	3.00	2100	108	195	1758	2.0	19.52	3.5	790	6.2	1390						SK 1282.1 - 90 N3/8	27.2	60.0
				2100	126	167	1500	2.4	16.66	3.5	770	6.0	1350								
2100	153			137	1237	2.9	13.74	3.4	760	5.9	1310										
2100	172			122	1097	3.3	12.19	3.3	740	5.7	1290										
2100	193			109	979	3.7	10.88	3.3	730	5.6	1260										
2100	217			96.7	871	3.7	9.67	3.2	720	5.4	1210										
2100	255			82.5	743	3.9	8.25	3.1	690	5.1	1140										
2100	281			74.8	673	4.3	7.47	3.0	680	4.9	1100										
2100	329			63.8	574	4.5	6.38	2.9	660	4.6	1040										
2100	402			52.3	470	4.9	5.22	2.8	620	4.2	950										



P_1		n_1	n_2	M_2		f_B	i_{tot}	F_R / F_A				F_{RVL} / F_{AVL}				Model type	📦	
[kW]	[hp]			[Nm]	[lb-in]			F_R	F_A	F_{RVL}	F_{AVL}	[kN]	[lb]	[kN]	[lb]		[kN]	[lb]
0.50	0.67	2400	9.8	488	4313	0.8	245.16	2.66	660	7.2	1620					SK 1382.1 - 71 F1/8	25.4	56
		2400	11	433	3829	0.9	217.62	3.94	930	7.2	1620							
		2400	13	357	3153	1.1	179.22	5.06	1170	7.2	1620							
		2400	15	316	2799	1.3	159.09	5.49	1260	7.2	1620							
		2400	18	270	2388	1.5	135.72	5.89	1350	7.2	1620							
		2400	20	242	2138	1.7	121.52	6.09	1400	7.2	1620							
		2400	23	206	1824	1.9	103.68	6.30	1440	7.2	1620							
		2400	25	193	1711	2.1	97.22	6.37	1460	7.2	1620							
		2400	29	165	1459	2.4	82.94	6.43	1450	7.2	1620							
		2400	35	136	1205	2.9	68.50	6.19	1390	7.2	1620							
		2400	40	120	1060	3.3	60.26	6.01	1350	7.2	1620							
		2400	44	108	956	3.7	54.32	5.86	1320	7.2	1620							
		2400	47	102	905	3.9	51.41	5.76	1300	7.2	1620							
		2400	54	87.9	778	4.5	44.19	5.56	1250	7.2	1620							
		2400	9.8	488	4313	0.8	245.16	2.66	660	7.2	1620							
433	3829			0.9	217.62	3.94	930	7.2	1620									
357	3153			1.1	179.22	5.06	1170	7.2	1620									
316	2799			1.3	159.09	5.49	1260	7.2	1620									
270	2388			1.5	135.72	5.89	1350	7.2	1620									
242	2138			1.7	121.52	6.09	1400	7.2	1620									
206	1824			1.9	103.68	6.30	1440	7.2	1620									
193	1711			2.1	97.22	6.37	1460	7.2	1620									
165	1459			2.4	82.94	6.43	1450	7.2	1620									
136	1205			2.9	68.50	6.19	1390	7.2	1620									
120	1060			3.3	60.26	6.01	1350	7.2	1620									
108	956			3.7	54.32	5.86	1320	7.2	1620									
102	905			3.9	51.41	5.76	1300	7.2	1620									
87.9	778			4.5	44.19	5.56	1250	7.2	1620									
2400	22			221	1952	0.9	110.96	3.02	740	5	1120					SK 0282.1 - 71 F1/8	13.1	28.9
		207	1828	1.0	103.89	3.19	770	5	1120									
		184	1628	1.1	92.51	3.42	820	5	1120									
		151	1332	1.3	75.69	3.69	880	5	1120									
		133	1173	1.5	66.66	3.81	900	5	1120									
		106	933	1.7	53.03	3.95	930	5	1120									
		87.1	770	2.3	43.78	4.03	950	5	1120									
		75.9	671	2.6	38.14	4.07	960	5	1120									
		66.5	588	3.0	33.44	4.09	960	5	1120									
		58.8	520	3.4	29.56	4.12	970	5	1120									
		52.4	463	3.8	26.32	4.13	950	5	1120									
2400	111	42.8	379	4.7	21.53	4.00	900	5	1120									

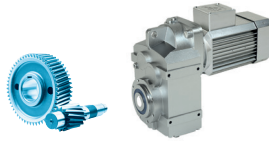
0.50 kW / 0.67 hp
1.00 kW / 1.35 hp

TEFC



P_1		n_1	n_2	M_2		f_B	i_{tot}	F_R / F_A				F_{RVL} / F_{AVL}				Model type	📦					
[kW]	[hp]			[rpm]	[Nm]			[lb-in]	F_R	F_A	F_{RVL}	F_{AVL}	[kN]	[lb]	[kN]		[lb]	[kg]	[lb]			
0.50	0.67	2400	37	127	1127	0.9	64.03	4.26	960	5.80	1300					SK 0182.1 - 71 F1/8	11.0	24.3				
		2400	41	116	1028	1.1	58.43	4.19	940	5.80	1300											
		2400	49	98.4	870	1.3	49.46	4.05	910	5.80	1300											
		2400	55	87.5	774	1.5	43.98	3.96	890	5.80	1300											
		2400	62	76.8	679	1.7	38.61	3.85	870	5.80	1300											
		2400	70	67.9	600	1.9	34.13	3.75	840	5.80	1300											
		2400	75	63.3	560	2.1	31.80	3.69	830	5.80	1300											
		2400	86	55.5	491	2.3	27.92	3.58	810	5.80	1300											
		2400	97	49.1	434	2.6	24.68	3.47	780	5.80	1300											
		2400	107	44.6	395	2.7	22.43	3.38	760	5.80	1300											
		2400	121	39.4	349	3.0	19.83	3.28	740	5.74	1290											
				2400	148	32.3	286	4.0	16.24	3.12	700	5.45	1230							SK 0182.1 - 71 F1/8	10.7	23.5
				2400	168	28.4	251	4.6	14.25	3.01	680	5.26	1180									
				2400	184	26.0	230	5.0	13.05	2.93	660	5.12	1150									
		1.00	1.35	2400	20	484	4308	0.8	121.52	2.78	660	7.20	1620							SK 1382.1 - 71 F2/8	26.5	58.4
2400	23			413	3675	1.0	103.68	4.29	990	7.20	1620											
2400	25			387	3447	1.0	97.22	4.67	1080	7.20	1620											
2400	29			330	2940	1.2	82.94	5.22	1170	7.20	1620											
2400	35			273	2428	1.5	68.50	5.22	1170	7.20	1620											
2400	40			240	2136	1.7	60.26	5.15	1160	7.20	1620											
2400	44			216	1926	1.9	54.32	5.09	1140	7.20	1620											
2400	47			205	1823	2.0	51.41	5.02	1130	7.20	1620											
2400	54			176	1567	2.3	44.19	4.93	1110	7.20	1620											
2400	62			154	1371	2.6	38.67	4.82	1080	7.20	1620											
2400	73			131	1169	3.0	32.99	4.66	1050	7.20	1620											
2400	84			114	1012	3.5	28.54	4.54	1020	7.20	1620											
				2400	20	484	4308	0.8	121.52	2.78	660	7.20	1620				SK 1382.1 - 71 F2/8	20.5	45.2			
				2400	23	413	3675	1.0	103.68	4.29	990	7.20	1620									
				2400	25	387	3447	1.0	97.22	4.67	1080	7.20	1620									
		2400	29	330	2940	1.2	82.94	5.22	1170	7.20	1620											
		2400	35	273	2428	1.5	68.50	5.22	1170	7.20	1620											
		2400	40	240	2136	1.7	60.26	5.15	1160	7.20	1620											
		2400	44	216	1926	1.9	54.32	5.09	1140	7.20	1620											
		2400	47	205	1823	2.0	51.41	5.02	1130	7.20	1620											
		2400	54	176	1567	2.3	44.19	4.93	1110	7.20	1620											
		2400	62	154	1371	2.6	38.67	4.82	1080	7.20	1620											
		2400	73	131	1169	3.0	32.99	4.66	1050	7.20	1620											
		2400	84	114	1012	3.5	28.54	4.54	1020	7.20	1620											
		2400	98	97.8	871	4.1	24.57	4.39	990	7.20	1620				SK 1282.1 - 71 F2/8	26	57.3					
		2400	114	83.4	743	4.8	20.96	4.22	950	7.18	1610											
		2400	98	97.8	871	4.1	24.57	4.39	990	7.20	1620				SK 1282.1 - 71 F2/8	20	44.1					
		2400	114	83.4	743	4.8	20.96	4.22	950	7.18	1610											

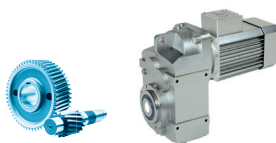
NORDBLOC.1®
Parallel shaft gear units



P_1		n_1	n_2	M_2		f_B	i_{tot}	F_R / F_A				F_{RVL} / F_{AVL}				Model type	📦	
[kW]	[hp]			[Nm]	[lb-in]			F_R	F_A	F_{RVL}	F_{AVL}	[kN]	[lb]	[kN]	[lb]		[kN]	[lb]
1.00	1.35	2400	36	265	2363	0.8	66.66	2.32	590	5	1120					SK 0282.1 - 71 F2/8	14.2	31.4
		2400	45	211	1880	0.9	53.03	3.14	760	5	1120							
		2400	55	174	1552	1.1	43.78	3.51	840	5	1120							
		2400	63	152	1352	1.3	38.14	3.68	880	5	1120							
		2400	72	133	1186	1.5	33.44	3.81	880	5	1120							
		2400	81	118	1048	1.7	29.56	3.87	870	5	1120							
		2400	91	105	933	1.9	26.32	3.79	850	5	1120							
		2400	111	85.7	763	2.3	21.53	3.64	820	5	1120							
		2400	127	75.5	672	2.7	18.96	3.55	800	5	1120							
		2400	132	72.6	647	2.8	18.24	3.52	790	5	1120							
		2400	149	64.1	572	3.1	16.12	3.42	770	5	1120							
		2400	167	57.1	509	3.5	14.36	3.33	750	5	1120							
		2400	188	50.9	453	3.9	12.78	3.21	720	5	1120							
		2400	212	44.9	400	4.5	11.30	3.12	700	5	1120							
2400	239	40	357	5.0	10.06	3.03	680	5	1120									
2400		62	154	1369	0.8	38.61	3.15	710	5.72	1280					SK 0182.1 - 71 F2/8	12.1	26.7	
		70	136	1210	1.0	34.13	3.13	700	5.66	1270								
		75	127	1127	1.0	31.80	3.11	700	5.61	1260								
		86	111	990	1.2	27.92	3.07	690	5.51	1240								
		97	98.2	875	1.3	24.68	3.03	680	5.41	1210								
		107	89.3	795	1.3	22.43	2.96	660	5.28	1190								
		121	78.9	703	1.5	19.83	2.9	650	5.17	1160								
		148	64.6	576	2.0	16.24	2.82	630	5	1120								
		168	56.7	505	2.3	14.25	2.75	620	4.86	1090								
		184	51.9	463	2.5	13.05	2.68	600	4.74	1060								
		210	45.6	406	2.9	11.45	2.61	590	4.6	1030								
		237	40.3	359	3.2	10.13	2.54	570	4.46	1000								
		271	35.3	314	3.7	8.87	2.47	550	4.31	970								
		293	32.6	290	4.0	8.18	2.41	540	4.14	930								
337	28.3	253	4.6	7.12	2.33	520	3.9	880										
1.50	2.00	2400	29	495	4356	0.8	82.94	2.42	630	7.2	1620				SK 1382.1 - 90 F1/8	30.5	67.2	
		2400	44	324	2853	1.2	54.32	4.31	970	7.2	1620							
		2400	54	264	2321	1.5	44.19	4.3	970	7.2	1620							
		2400	62	231	2031	1.7	38.67	4.27	960	7.2	1620							
		2400	73	197	1733	2.0	32.99	4.18	940	7.2	1620							
		2400	84	170	1499	2.3	28.54	4.13	930	7.17	1610							
		2400	29	495	4356	0.8	82.94	2.42	630	7.2	1620					SK 1382.1 - 71 F3/8	27.5	60.6
		2400	35	409	3597	1	68.5	4.24	960	7.2	1620							
		2400	40	360	3165	1.1	60.26	4.29	970	7.2	1620							
		2400	44	324	2853	1.2	54.32	4.31	970	7.2	1620							
		2400	47	307	2700	1.3	51.41	4.27	960	7.2	1620							
		2400	54	264	2321	1.5	44.19	4.3	970	7.2	1620							
		2400	62	231	2031	1.7	38.67	4.27	960	7.2	1620							
		2400	73	197	1733	2	32.99	4.18	940	7.2	1620							
2400	84	170	1499	2.3	28.54	4.13	930	7.17	1610									

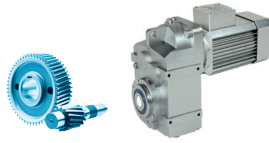
1.50 kW / 2.00 hp

TEFC



NORDBLOC.1®
Parallel shaft gear units

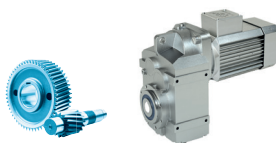
P ₁		n ₁ [rpm]	n ₂ [rpm]	M ₂		f _B	i _{tot}	F _R /F _A				F _{RVL} /F _{AVL}				Model type	📦			
[kW]	[hp]			[Nm]	[lb-in]			F _R	F _A	F _{RVL}	F _{AVL}	[kN]	[lb]	[kN]	[lb]		[kN]	[lb]	[kg]	[lb]
1.50	2.00	2400	29	495	4356	0.8	82.94	2.42	630	7.20	1620					SK 1382.1 - 90 F1/8	24.5	54.0		
		2400	44	324	2853	1.2	54.32	4.31	970	7.20	1620									
		2400	54	264	2321	1.5	44.19	4.30	970	7.20	1620									
		2400	62	231	2031	1.7	38.67	4.27	960	7.20	1620									
		2400	73	197	1733	2.0	32.99	4.18	940	7.20	1620									
		2400	84	170	1499	2.3	28.54	4.13	930	7.17	1610									
2400		29		495	4356	0.8	82.94	2.42	630	7.20	1620				SK 1382.1 - 71 F3/8	21.5	47.4			
		35		409	3597	1.0	68.50	4.24	960	7.20	1620									
		40		360	3165	1.1	60.26	4.29	970	7.20	1620									
		44		324	2853	1.2	54.32	4.31	970	7.20	1620									
		47		307	2700	1.3	51.41	4.27	960	7.20	1620									
		54		264	2321	1.5	44.19	4.30	970	7.20	1620									
		62		231	2031	1.7	38.67	4.27	960	7.20	1620									
		73		197	1733	2.0	32.99	4.18	940	7.20	1620									
		84		170	1499	2.3	28.54	4.13	930	7.17	1610									
2400		123		117	1025	3.4	19.52	3.88	870	6.66	1500				SK 1282.1 - 90 F1/8	30	66.1			
		144		99.4	875	4.0	16.66	3.74	840	6.41	1440									
		175		82.0	722	4.9	13.74	3.59	810	6.13	1380									
2400		98		147	1291	2.7	24.57	4.04	910	6.98	1570				SK 1282.1 - 71 F3/8	27	59.5			
		114		125	1101	3.2	20.96	3.91	880	6.73	1520									
		123		117	1025	3.4	19.52	3.88	870	6.66	1500									
		144		99.4	875	4.0	16.66	3.74	840	6.41	1440									
		175		82.0	722	4.9	13.74	3.59	810	6.13	1380									
		123		117	1025	3.4	19.52	3.88	870	6.66	1500									
2400		144		99.4	875	4.0	16.66	3.74	840	6.41	1440				SK 1282.1 - 90 F1/8	24	52.9			
		175		82.0	722	4.9	13.74	3.59	810	6.13	1380									
		98		147	1291	2.7	24.57	4.04	910	6.98	1570									
2400		114		125	1101	3.2	20.96	3.91	880	6.73	1520				SK 1282.1 - 71 F3/8	21	46.3			
		123		117	1025	3.4	19.52	3.88	870	6.66	1500									
		144		99.4	875	4.0	16.66	3.74	840	6.41	1440									
		175		82.0	722	4.9	13.74	3.59	810	6.13	1380									
		72		200	1756	1.0	33.44	3.27	770	5.00	1120							SK 0282.1 - 90 F1/8	18.2	40.2
		81		176	1552	1.1	29.56	3.38	760	5.00	1120									
91		157	1382	1.3	26.32	3.36	760	5.00	1120											
111		129	1131	1.6	21.53	3.29	740	5.00	1120											
127		113	996	1.8	18.96	3.24	730	5.00	1120											
2400		167		85.7	754	2.3	14.36	3.09	700	5.00	1120				SK 0282.1 - 90 F1/8	17.9	39.5			
		239		60	528	3.3	10.06	2.85	640	5.00	1120									
		262		54.7	481	3.7	9.18	2.82	640	5.00	1120									
		292		49.1	432	4.1	8.24	2.73	610	4.82	1080									
		352		40.7	358	4.9	6.82	2.63	590	4.52	1020									
		374		38.3	337	4.7	6.43	2.57	580	4.37	980									
		439		32.7	287	4.9	5.47	2.47	560	4.11	920									



P_1		n_1	n_2	M_2		f_B	i_{tot}	F_R / F_A				F_{RVL} / F_{AVL}				Model type	📦	
[kW]	[hp]			[Nm]	[lb-in]			F_R	F_A	F_{RVL}	F_{AVL}	[kN]	[lb]	[kN]	[lb]		[kN]	[lb]
1.50	2.00	2400	55	261	2299	0.8	43.78	2.4	620	5.00	1120							
		2400	63	228	2003	0.9	38.14	2.93	720	5.00	1120							
		2400	72	200	1756	1.0	33.44	3.27	770	5.00	1120							
		2400	81	176	1552	1.1	29.56	3.38	760	5.00	1120							
		2400	91	157	1382	1.3	26.32	3.36	760	5.00	1120							
		2400	111	129	1131	1.6	21.53	3.29	740	5.00	1120							
		2400	127	113	996	1.8	18.96	3.24	730	5.00	1120							
		2400	132	109	958	1.8	18.24	3.22	730	5.00	1120							
		2400	149	96.2	847	2.1	16.12	3.16	710	5.00	1120							
		2400	167	85.7	754	2.3	14.36	3.09	700	5.00	1120							
		2400	188	76.3	671	2.6	12.78	2.99	670	5.00	1120							
		2400	212	67.4	593	3.0	11.3	2.92	660	5.00	1120							
		2400	239	60	528	3.3	10.06	2.85	640	5.00	1120							
		2400	262	54.7	481	3.7	9.18	2.82	640	5.00	1120							
		2400	292	49.1	432	4.1	8.24	2.73	610	4.82	1080							
		2400	352	40.7	358	4.9	6.82	2.63	590	4.52	1020							
		2400	374	38.3	337	4.7	6.43	2.57	580	4.37	980							
		2400	439	32.7	287	4.9	5.47	2.47	560	4.11	920							
		2400	86	167	1466	0.8	27.92	2.57	580	4.73	1070							
		2400	97	147	1296	0.9	24.68	2.58	580	4.72	1060							
		2400	107	134	1178	0.9	22.43	2.54	570	4.63	1040							
		2400	121	118	1041	1.0	19.83	2.53	570	4.59	1040							
		2400	237	60.4	532	2.2	10.13	2.35	530	4.14	930							
		2400	271	52.9	466	2.5	8.87	2.31	520	3.97	890							
		2400	293	48.8	430	2.7	8.18	2.26	510	3.83	860							
		2400	337	42.5	374	3.1	7.12	2.19	490	3.64	820							
		2400	385	37.2	327	3.5	6.23	2.13	480	3.47	780							
		2400	433	33.1	291	3.6	5.54	2.06	460	3.30	740							
		2400	495	28.9	255	4.1	4.85	2.00	450	3.15	710							
		2400	86	167	1466	0.8	27.92	2.57	580	4.73	1070							
		2400	97	147	1296	0.9	24.68	2.58	580	4.72	1060							
		2400	107	134	1178	0.9	22.43	2.54	570	4.63	1040							
		2400	121	118	1041	1.0	19.83	2.53	570	4.59	1040							
		2400	148	96.9	853	1.3	16.24	2.53	570	4.54	1020							
		2400	168	85.1	749	1.5	14.25	2.49	560	4.46	1000							
		2400	184	77.9	685	1.7	13.05	2.44	550	4.36	980							
		2400	210	68.4	602	1.9	11.45	2.39	540	4.27	960							
		2400	237	60.4	532	2.2	10.13	2.35	530	4.14	930							
		2400	271	52.9	466	2.5	8.87	2.31	520	3.97	890							
		2400	293	48.8	430	2.7	8.18	2.26	510	3.83	860							
		2400	337	42.5	374	3.1	7.12	2.19	490	3.64	820							
		2400	385	37.2	327	3.5	6.23	2.13	480	3.47	780							
		2400	433	33.1	291	3.6	5.54	2.06	460	3.30	740							
		2400	495	28.9	255	4.1	4.85	2.00	450	3.15	710							

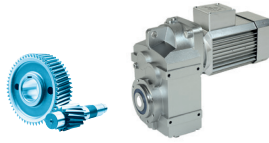
2.20 kW / 3.00 hp


TEFC



NORDBLOC.1®
Parallel shaft gear units

P ₁		n ₁ [rpm]	n ₂ [rpm]	M ₂		f _B	i _{tot}	F _R /F _A				F _{RVL} /F _{AVL}				Model type	📦	
[kW]	[hp]			[Nm]	[lb-in]			F _R	F _A	F _{RVL}	F _{AVL}	[kN]	[lb]	[kN]	[lb]		[kN]	[lb]
2.20	3.00	2400	44	475	4279	0.8	54.32	3.01	680	6.14	1360					SK 1382.1 - 90 F2/8	31.3	69.0
		2400	54	387	3481	1.0	44.19	3.43	760	6.32	1410							
		2400	62	338	3046	1.2	38.67	3.50	780	6.37	1420							
		2400	73	289	2599	1.4	32.99	3.51	780	6.31	1410							
		2400	84	250	2248	1.6	28.54	3.56	800	6.34	1420							
2400		40	40	527	4747	0.8	60.26	0.55	100	5.99	1330				SK 1382. - 71 F4/8	30.5	67.2	
		44	44	475	4279	0.8	54.32	3.01	680	6.14	1360							
		47	47	450	4050	0.9	51.41	3.22	710	6.09	1350							
		54	54	387	3481	1.0	44.19	3.43	760	6.32	1410							
		62	62	338	3046	1.2	38.67	3.5	780	6.37	1420							
		73	73	289	2599	1.4	32.99	3.51	780	6.31	1410							
		84	84	250	2248	1.6	28.54	3.56	800	6.34	1420							
2400		44	44	475	4279	0.8	54.32	3.01	680	6.14	1360				SK 1382.1 - 90 F2/8	25.3	55.8	
		54	54	387	3481	1.0	44.19	3.43	760	6.32	1410							
		62	62	338	3046	1.2	38.67	3.50	780	6.37	1420							
		73	73	289	2599	1.4	32.99	3.51	780	6.31	1410							
		84	84	250	2248	1.6	28.54	3.56	800	6.34	1420							
2400		40	40	527	4747	0.8	60.26	0.55	100	5.99	1330				SK 1382.1 - 71 F4/8	24.5	54	
		44	44	475	4279	0.8	54.32	3.01	680	6.14	1360							
		47	47	450	4050	0.9	51.41	3.22	710	6.09	1350							
		54	54	387	3481	1.0	44.19	3.43	760	6.32	1410							
		62	62	338	3046	1.2	38.67	3.50	780	6.37	1420							
		73	73	289	2599	1.4	32.99	3.51	780	6.31	1410							
		84	84	250	2248	1.6	28.54	3.56	800	6.34	1420							
2400		123	123	171	1538	2.3	19.52	3.49	780	6.1	1360				SK 1282.1 - 90 F2/8	30.8	67.9	
		144	144	146	1312	2.7	16.66	3.41	760	5.92	1330							
		175	175	120	1082	3.3	13.74	3.31	740	5.73	1280							
		197	197	107	960	3.7	12.19	3.25	730	5.60	1250							
		221	221	95.2	857	4.2	10.88	3.18	710	5.36	1200							
		248	248	84.6	762	4.3	9.67	3.13	700	5.16	1160							
		291	291	72.2	650	4.4	8.25	3.01	680	4.84	1080							
		321	321	65.4	589	4.9	7.47	2.96	660	4.69	1050							
2400		98	98	215	1936	1.9	24.57	3.55	790	6.27	1400				SK 1282.1 - 71 F4/8	30	66.1	
		114	114	183	1651	2.2	20.96	3.49	780	6.11	1370							
		123	123	171	1538	2.3	19.52	3.49	780	6.10	1360							
		144	144	146	1312	2.7	16.66	3.41	760	5.92	1330							
		175	175	120	1082	3.3	13.74	3.31	740	5.73	1280							
		197	197	107	960	3.7	12.19	3.25	730	5.60	1250							
		221	221	95.2	857	4.2	10.88	3.18	710	5.36	1200							
		248	248	84.6	762	4.3	9.67	3.13	700	5.16	1160							
		291	291	72.2	650	4.4	8.25	3.01	680	4.84	1080							
		321	321	65.4	589	4.9	7.47	2.96	660	4.69	1050							



P_1		n_1	n_2	M_2		f_B	i_{tot}	F_R / F_A				F_{RVL} / F_{AVL}				Model type			
[kW]	[hp]			[Nm]	[lb-in]			[kN]	[lb]	[kN]	[lb]	[kN]	[lb]	[kN]	[lb]		[kN]	[lb]	[kg]
2.20	3.00	2400	123	171	1538	2.3	19.52	3.49	780	6.1	1360								
		2400	144	146	1312	2.7	16.66	3.41	760	5.92	1330								
		2400	175	120	1082	3.3	13.74	3.31	740	5.73	1280								
		2400	197	107	960	3.7	12.19	3.25	730	5.60	1250								
		2400	221	95.2	857	4.2	10.88	3.18	710	5.36	1200								
		2400	248	84.6	762	4.3	9.67	3.13	700	5.16	1160								
		2400	291	72.2	650	4.4	8.25	3.01	680	4.84	1080								
		2400	321	65.4	589	4.9	7.47	2.96	660	4.69	1050								
			2400	98	215	1936	1.9	24.57	3.55	790	6.27	1400				SK 1282.1 - 90 F2/8	24.8	54.7	
			2400	114	183	1651	2.2	20.96	3.49	780	6.11	1370							
			2400	123	171	1538	2.3	19.52	3.49	780	6.10	1360							
			2400	144	146	1312	2.7	16.66	3.41	760	5.92	1330							
			2400	175	120	1082	3.3	13.74	3.31	740	5.73	1280							
			2400	197	107	960	3.7	12.19	3.25	730	5.60	1250							
			2400	221	95.2	857	4.2	10.88	3.18	710	5.36	1200							
			2400	248	84.6	762	4.3	9.67	3.13	700	5.16	1160							
3.00	4.00	2400	54	527	4642	0.8	44.19	0.55	340	4.86	1100				SK 1382.1 - 90 F3/8	34.3	75.6		
		2400	62	462	4062	0.9	38.67	2.62	590	5.10	1150								
		2400	73	394	3465	1.0	32.99	2.74	620	5.19	1170								
		2400	84	341	2998	1.2	28.54	2.92	660	5.40	1220								
			2400	54	527	4642	0.8	44.19	0.55	340	4.86	1100				SK 1382.1 - 90 F3/8	28.3	62.4	
			2400	62	462	4062	0.9	38.67	2.62	590	5.10	1150							
			2400	73	394	3465	1.0	32.99	2.74	620	5.19	1170							
			2400	84	341	2998	1.2	28.54	2.92	660	5.40	1220							
			2400	123	233	2051	1.7	19.52	3.05	690	5.45	1230				SK 1282.1 - 90 F3/8	33.8	74.5	
			2400	144	199	1750	2.0	16.66	3.02	680	5.36	1210							
			2400	175	164	1443	2.4	13.74	3.00	680	5.19	1170							
			2400	197	145	1280	2.7	12.19	2.97	670	5.03	1130							
			2400	221	130	1142	3.1	10.88	2.93	660	4.87	1100							
			2400	248	115	1016	3.1	9.67	2.91	650	4.75	1070							
			2400	291	98.5	867	3.2	8.25	2.82	630	4.50	1010							
			2400	321	89.2	785	3.6	7.47	2.79	630	4.39	990							
2400			376	76.1	670	3.7	6.38	2.69	610	4.15	940								
2400			459	62.4	549	4.1	5.22	2.54	570	3.83	860								
				2400	123	233	2051	1.7	19.52	3.05	690	5.45	1230				SK 1282.1 - 90 F3/8	27.8	61.3
				2400	144	199	1750	2.0	16.66	3.02	680	5.36	1210						
	2400	175		164	1443	2.4	13.74	3.00	680	5.19	1170								
	2400	197		145	1280	2.7	12.19	2.97	670	5.03	1130								
	2400	221		130	1142	3.1	10.88	2.93	660	4.87	1100								
	2400	248		115	1016	3.1	9.67	2.91	650	4.75	1070								
	2400	291		98.5	867	3.2	8.25	2.82	630	4.50	1010								
	2400	321		89.2	785	3.6	7.47	2.79	630	4.39	990								

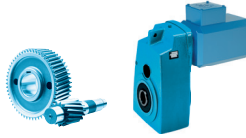
3.70 kW / 5.00 hp


TEFC

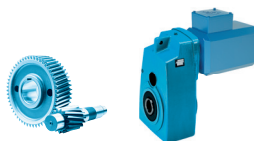


NORDBLOC.1®
Parallel shaft gear units

P ₁		n ₁ [rpm]	n ₂ [rpm]	M ₂		f _B	i _{tot}	F _R /F _A				F _{RVL} /F _{AVL}				Model type	📦				
[kW]	[hp]			[Nm]	[lb-in]			F _R	F _A	F _{RVL}	F _{AVL}	[kN]	[lb]	[kN]	[lb]		[kN]	[lb]	[kg]	[lb]	
3.70	5.00	2400	73	486	4331	0.8	32.99	2.07	460	4.22	940					SK 1382.1 - 90 F4/8	36.1	79.6			
		2400	84	420	3747	1	28.54	2.35	520	4.57	1020										
		2400	73	486	4331	0.8	32.99	2.07	460	4.22	940					SK 1382.1 - 90 F4/8	30.1	66.4			
		2400	84	420	3747	1	28.54	2.35	520	4.57	1020										
		2400	123	287	2564	1.4	19.52	2.66	590	4.86	1090					SK 1282.1 - 90 F4/8	35.6	78.5			
		2400	144	245	2187	1.6	16.66	2.68	600	4.74	1060										
		2400	175	202	1804	2	13.74	2.72	610	4.64	1040										
		2400	197	179	1600	2.2	12.19	2.72	610	4.56	1020										
		2400	221	160	1428	2.5	10.88	2.71	610	4.46	1000										
		2400	248	142	1270	2.5	9.67	2.71	610	4.4	990										
		2400	291	121	1083	2.6	8.25	2.65	590	4.2	940										
		2400	321	110	981	2.9	7.47	2.64	590	4.13	930										
		2400	376	93.9	837	3	6.38	2.56	570	3.94	880										
		2400	459	76.9	686	3.3	5.22	2.43	550	3.65	820										
		2400	595	59.4	530	4.3	4.04	2.32	520	3.4	760										
		2400	123	287	2564	1.4	19.52	2.66	590	4.86	1090								SK 1282.1 - 90 F4/8	29.6	65.3
		2400	144	245	2187	1.6	16.66	2.68	600	4.74	1060										
		2400	175	202	1804	2	13.74	2.72	610	4.64	1040										
2400	197	179	1600	2.2	12.19	2.72	610	4.56	1020												
2400	221	160	1428	2.5	10.88	2.71	610	4.46	1000												
2400	248	142	1270	2.5	9.67	2.71	610	4.4	990												
2400	291	121	1083	2.6	8.25	2.65	590	4.2	940												
2400	321	110	981	2.9	7.47	2.64	590	4.13	930												
2400	376	93.9	837	3	6.38	2.56	570	3.94	880												
2400	459	76.9	686	3.3	5.22	2.43	550	3.65	820												
2400	595	59.4	530	4.3	4.04	2.32	520	3.4	760												



P_1		n_1	n_2	M_2		f_B	i_{tot}	F_R / F_A				F_{RVL} / F_{AVL}				Model type		
[kW]	[hp]	[rpm]		[Nm]	[lb-in]			F_R	F_A	F_R	F_A	F_{RVL}	F_{AVL}	F_{RVL}	F_{AVL}		[kg]	[lb]
0.35	0.46	2100	0.32	9306	80510	1.3	6616.79	63.9	14200	73	16410	83.7	18570	100	22480	SK 8382/32 - 71 N1/8	404.9	892.7
		2100	0.38	7759	67130	1.6	5507.20	66.7	14800	73	16410	84.8	18800	100	22480			
		2100	0.50	5925	51260	2.0	4211.43	69.6	15410	73	16410	85.8	19010	100	22480			
		2100	0.60	4961	42920	2.4	3524.83	70.9	15690	73	16410	86.3	19110	100	22480			
		2100	0.70	4223	36540	2.9	3005.57	71.8	15890	73	16410	86.6	19170	100	22480			
2100	0.37	7966	68920	0.9	5662.68	41.4	9360	58	13040	58.9	13230	80	17990	SK 7382/22 - 71 N1/8	268.9	592.8		
		2100	0.43	6893	59630	1.0	4892.48	44.2	9960	58	13040	60.1	13480				80	17990
		2100	0.58	5093	44060	1.4	3615.97	48.1	10810	58	13040	61.7	13830				80	17990
		2100	0.80	3707	32070	1.9	2635.97	50.6	11350	58	13040	62.7	14030				80	17990
2100	0.50	5865	50740	0.8	4164.86	27.0	6990	46.5	10450	49.3	11560	60	13490	SK 6382/22 - 71 N1/8	195.9	431.9		
		2100	0.61	4872	42150	1.1	3450.76	32.6	8070	46.5	10450	52.4	11820				60	13490
		2100	0.77	3860	33390	1.2	2738.39	36.6	8860	46.5	10450	53.4	12040				60	13490
		2100	0.95	3115	26950	1.7	2203.53	38.8	9290	46.5	10450	54.0	12170				60	13490
		2100	1.1	2621	22670	2.1	1859.20	39.9	9520	46.5	10450	54.4	12250				60	13490
2100	1.5	2176	18880	1.2	1367.08	28.9	6110	32	7190	36.4	8280	40	8990	SK 5382 - 71 N1/8	114.9	253.3		
		2100	2.2	1491	12930	1.8	936.45	30.4	6500	32	7190	36.9	8400				40	8990
		2100	3.0	1114	9659	2.9	700.03	31.1	6640	32	7190	37.2	8460				40	8990
		2100	3.7	908	7878	3.1	570.18	31.3	6700	32	7190	37.3	8480				40	8990
		2100	4.0	835	7244	3.8	525.20	31.4	6720	32	7190	37.3	8480				40	8990
		2100	4.9	681	5908	4.7	427.79	31.5	6750	32	7190	37.4	8500				40	8990
		2100	5.8	576	4993	4.9	361.69	31.6	6770	32	7190	37.4	8510				40	8990
2100	0.76	3904	33780	0.8	2772.22	21.0	4180	32	7190	34.3	7820	40	8990	SK 5282/12 - 71 N1/8	105.9	233.5		
		2100	0.95	3124	27020	1.0	2217.67	25.4	5280	32	7190	35.4	8060				40	8990
		2100	1.2	2541	21990	1.2	1805.75	27.7	5850	32	7190	36.0	8210				40	8990
		2100	1.6	1880	16260	1.6	1334.62	29.7	6300	32	7190	36.7	8340				40	8990
		2100	1.9	1543	13350	1.9	1095.71	30.4	6470	32	7190	36.9	8400				40	8990
		2100	2.4	1214	10510	2.5	862.46	30.9	6610	32	7190	37.1	8440				40	8990
		2100	3.0	971	8404	3.1	689.45	31.2	6680	32	7190	37.2	8470				40	8990
		2100	3.8	775	6702	3.9	550.94	31.5	6730	32	7190	37.3	8490				40	8990
		2100	4.7	632	5466	4.7	448.15	31.6	6760	32	7190	37.4	8500				40	8990
		2100	1.9	1798	15590	0.9	1129.91	17.2	4050	22	4950	22.9	5340				30	6740
2100	2.7			1245	10800	1.2	782.32	18.6	4380	22	4950	23.5	5470	30	6740			
2100	3.2			1040	9024	1.2	654.27	19.1	4490	22	4950	23.6	5510	30	6740			
2100	3.5			964	8365	1.5	605.88	19.3	4530	22	4950	23.7	5530	30	6740			
2100	3.9			848	7355	2.4	532.44	19.5	4590	22	4950	23.8	5550	30	6740			
2100	4.7			708	6146	2.4	445.23	19.8	4650	22	4950	23.9	5560	30	6740			
2100	5.1			657	5697	3.0	412.38	19.9	4670	22	4950	23.9	5570	30	6740			
2100	5.4			623	5400	3.2	390.76	20.0	4690	22	4950	23.9	5580	30	6740			
2100	6.1			549	4760	3.0	344.84	20.1	4710	22	4950	23.9	5580	30	6740			
2100	6.4			520	4512	3.6	326.81	20.1	4730	22	4950	24.0	5590	30	6740			
2100	6.9			482	4182	4.3	302.65	20.2	4740	22	4950	24.0	5590	30	6740			
2100	7.7			434	3762	3.6	272.54	20.3	4750	22	4950	24.0	5600	30	6740			
2100	8.3			403	3495	4.9	253.12	20.3	4770	22	4950	24.0	5600	30	6740			
2100	8.3			403	3495	4.9	253.12	20.3	4770	22	4950	24.0	5600	30	6740			
2100	10			336	2914	4.9	211.09	20.4	4790	22	4950	24.0	5600	30	6740			



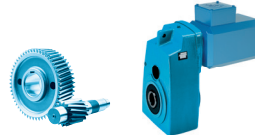
P_1		n_1 n_2		M_2		f_B	i_{tot}	F_R / F_A				F_{RVL} / F_{AVL}				Model type		
[kW]	[hp]	[rpm]	[rpm]	[Nm]	[lb-in]			F_R	F_A	F_R	F_A	F_{RVL}	F_{AVL}	F_{RVL}	F_{AVL}		[kg]	[lb]
0.35	0.46	2100	1.6	1894	16390	1.0	1343.53	16.8	3960	22	4950	22.7	5310	30	6740	SK 4282/12 - 71 N1/8	69.9	154.1
		2100	1.9	1566	13550	1.1	1110.82	17.8	4190	22	4950	23.1	5400	30	6740			
		2100	2.4	1233	10670	1.5	873.31	18.7	4390	22	4950	23.5	5480	30	6740			
		2100	3.0	986	8532	1.8	698.96	19.2	4520	22	4950	23.7	5520	30	6740			
		2100	3.8	786	6804	2.3	558.54	19.7	4620	22	4950	23.8	5550	30	6740			
		2100	5.1	577	4996	3.1	409.92	20.1	4700	22	4950	23.9	5580	30	6740			
		2100	6.2	481	4162	3.7	340.87	20.2	4740	22	4950	24	5590	30	6740			
		2100	7.0	426	3685	4.2	302.24	20.3	4760	22	4950	24	5600	30	6740			
2100	2.6	1287	11160	0.8	808.42	8.1	1860	14.5	3260	12.8	2910	20	4500	SK 3382 - 71 N1/8	52.9	116.6		
		2100	2.9	1156	10030	0.8	726.61	8.8	2020	14.5	3260	13.1	2980				20	4500
		2100	3.6	930	8064	1.1	584.13	9.9	2260	14.5	3260	13.6	3080				20	4500
		2100	4.4	768	6665	1.1	482.56	10.5	2390	14.5	3260	13.9	3140				20	4500
		2100	5.1	650	5638	1.2	408.58	10.9	2480	14.5	3260	14	3170				20	4500
		2100	7.3	457	3963	2.1	287.14	11.6	2620	14.5	3260	14.3	3230				20	4500
		2100	9.1	367	3186	2.7	230.83	11.8	2670	14.5	3260	14.3	3240				20	4500
		2100	11	304	2633	2.9	190.69	12.0	2710	14.5	3260	14.4	3260				20	4500
		2100	13	257	2228	3.1	161.46	12.1	2730	14.5	3260	14.4	3260				20	4500
		2100	17	202	1753	3.8	126.93	12.2	2760	14.5	3260	14.5	3270				20	4500
		2100	20	165	1435	4.4	104.05	12.2	2770	14.5	3260	14.5	3280				20	4500
		2100	23	142	1235	4.4	89.6	12.3	2780	14.5	3260	14.5	3280				20	4500
2100	3.1	965	8352	0.9	686.08	9.7	2220	14.5	3260	13.5	3060	20	4500	SK 3282/12 - 71 N1/8	54.9	121		
		2100	4.0	734	6354	1.2	520.83	10.7	2430	14.5	3260	13.9	3150				20	4500
		2100	4.6	650	5626	1.4	461.81	11.0	2490	14.5	3260	14	3180				20	4500
		2100	5.9	505	4368	1.8	358.12	11.4	2590	14.5	3260	14.2	3210				20	4500
		2100	7.8	381	3299	2.4	270.39	11.8	2670	14.5	3260	14.3	3240				20	4500
		2100	9.7	307	2652	2.9	217.37	12.0	2710	14.5	3260	14.4	3260				20	4500
		2100	12	253	2192	3.6	179.57	12.1	2730	14.5	3260	14.4	3260				20	4500
		2100	15	199	1725	4.5	141.49	12.2	2760	14.5	3260	14.5	3270				20	4500
2100	19	179	1549	4.3	112.23	12.2	2770	14.5	3260	14.5	3280	20	4500	SK 3282 - 71 N1/8	44.9	99.0		
		2100	21	161	1392	5.0	100.88	12.3	2780	14.5	3260	14.5	3280				20	4500
		2100	30	112	974	5.0	70.56	11.6	2620	14.5	3260	14.5	3280				20	4500
2100	5.4	622	5396	0.8	390.93	5.9	1620	12	2700	12.1	2720	15	3370	SK 2382 - 71 N1/8	36.9	81.4		
		2100	6.4	526	4562	1.1	330.45	8.0	1830	12	2700	12.7	2850				15	3370
		2100	7.6	440	3815	1.3	276.27	8.8	1970	12	2700	12.9	2900				15	3370
		2100	8.9	375	3254	1.3	236.11	9.2	2060	12	2700	13	2920				15	3370
		2100	11	295	2557	1.8	185.11	9.5	2140	12	2700	13.1	2950				15	3370
		2100	14	239	2071	2.2	149.96	9.7	2180	12	2700	13.2	2970				15	3370
		2100	16	210	1818	2.5	131.86	9.8	2200	12	2700	13.2	2970				15	3370
		2100	18	185	1607	2.8	116.35	9.9	2220	12	2700	13.2	2980				15	3370
		2100	21	157	1358	3.6	98.35	10.0	2230	12	2700	13.3	2990				15	3370
		2100	26	131	1136	4.3	82.22	10.0	2240	12	2700	13.3	2990				15	3370



P_1		n_1	n_2	M_2		f_B	i_{tot}	F_R / F_A				F_{RVL} / F_{AVL}				Model type	📦						
[kW]	[hp]			[Nm]	[lb-in]			F_R	F_A	F_{RVL}	F_{AVL}	[kN]	[lb]	[kN]	[lb]		[kN]	[lb]	[kg]	[lb]			
0.35	0.46	2100	5.0	598	5171	0.9	423.5	6.5	1690	12	2700	12.2	2750	15	3370	SK 2282/02 - 71 N1/8	37.9	83.6					
		2100	5.9	503	4347	1.0	356.28	8.3	1870	12	2700	12.8	2870	15	3370								
		2100	7.3	406	3513	1.3	287.51	9.0	2020	12	2700	12.9	2910	15	3370								
		2100	9.7	305	2642	1.7	215.75	9.5	2130	12	2700	13.1	2950	15	3370								
		2100	12	247	2141	2.1	174.78	9.7	2180	12	2700	13.2	2960	15	3370								
			2100	16	203	1760	1.9	127.51	9.9	2210	12	2700	13.2	2980	15	3370	SK 2282 - 71 N1/8	29.9	65.9				
			2100	20	166	1437	2.4	104.07	9.9	2230	12	2700	13.3	2980	15	3370							
			2100	21	161	1394	2.7	100.98	10.0	2230	12	2700	13.3	2990	15	3370							
			2100	25	131	1138	3.6	82.42	10.0	2240	12	2700	13.3	2990	15	3370							
			2100	30	111	962	4.0	69.67	10.0	2250	12	2700	13.3	3000	15	3370							
			2100	26	129	1121	2.3	81.17	5.4	1170	7.2	1610	9.5	2180	7.2	1620	SK 1282 - 71 N1/8	18.9	41.7				
			2100	29	115	996	2.6	72.17	5.3	1140	7.2	1610	9.5	2180	7.2	1620							
			2100	32	105	915	2.6	66.23	5.1	1110	7.2	1610	9.6	2190	7.2	1620							
			2100	36	93.8	813	3.0	58.89	5.0	1080	7.2	1610	9.6	2190	7.2	1620							
			2100	38	88.1	764	2.7	55.39	4.9	1060	7.2	1610	9.6	2190	7.2	1620							
			2100	43	78.3	680	3.3	49.25	4.8	1030	7.2	1610	9.6	2190	7.2	1620							
			2100	45	73.5	637	2.7	46.19	4.7	1010	7.2	1610	9.6	2190	7.2	1620							
			2100	51	65.3	567	3.3	41.07	4.5	980	7.2	1610	9.6	2200	7.2	1620							
			2100	65	51.0	443	4.5	32.08	4.3	920	7.2	1610	9.6	2200	7.2	1620							
			2100	74	45.1	391	5.0	28.33	4.1	890	7.2	1610	9.6	2200	7.2	1620							
0.70			0.95	2100	0.26	24180	216700	1.0	8068.17	87.9	19630	102	22930	120	26980	130				29230	SK 9382/43 - 71 N2/8	738	1627
				2100	0.31	20180	180900	1.2	6734.26	94.4	21130	102	22930	120	26980	130				29230			
				2100	0.37	16830	150900	1.4	5612.08	99.0	22200	102	22930	120	26980	130				29230			
				2100	0.44	14180	127100	1.7	4736.06	102.3	22950	102	22930	120	26980	130				29230			
					2100	0.5	12610	113100	1.0	4211.43	56.7	12430	73	16410	80.9	17860				100	22480	SK 8382/32 - 71 N2/8	406
	2100	0.6			10560	94670	1.1	3524.83	61.4	13490	73	16410	82.7	18290	100	22480							
	2100	0.7			8992	80600	1.3	3005.57	64.5	14200	73	16410	84.0	18570	100	22480							
	2100	1.2			5080	45540	2.4	1697.85	70.7	15600	73	16410	86.2	19080	100	22480							
	2100	1.5			4090	36670	3.0	1366.83	72.0	15890	73	16410	86.6	19170	100	22480							
	2100	2.0			3187	28570	3.8	1064.91	73.0	16120	73	16410	86.9	19240	100	22480							
	2100	2.4			2668	23920	4.5	891.21	73.6	16240	73	16410	87.1	19270	100	22480							
					2100	0.8	7893	70750	0.9	2635.97	41.6	9230	58	13040	59	13180	80	17990	SK 7382/22 - 71 N2/8	270	595.2		
			2100	1.0	6186	55450	1.1	2066.45	45.8	10210	58	13040	60.8	13580	80	17990							
			2100	1.2	5421	48590	1.3	1812.31	47.5	10580	58	13040	61.4	13740	80	17990							
			2100	1.6	4029	36110	1.8	1343.5	50.1	11180	58	13040	62.4	13970	80	17990							
			2100	2.0	3127	28030	2.3	1046.18	51.5	11520	58	13040	63.0	14090	80	17990							
			2100	2.3	2798	25080	2.5	933.91	52.0	11630	58	13040	63.2	14130	80	17990							
			2100	3.0	2132	19110	3.3	714.31	52.9	11830	58	13040	63.5	14200	80	17990							
			2100	3.7	1713	15350	4.1	569.97	53.5	11950	58	13040	63.6	14240	80	17990							
			2100	0.95	6632	59440	0.8	2203.53	20.3	5430	46.5	10450	46.2	11170	60	13490	SK 6382/22 - 71 N2/8	197	434.3				
2100			1.1	5579	50010	1.0	1859.2	28.9	7100	46.5	10450	50.4	11590	60	13490								
2100			1.7	3784	33920	1.4	1259.27	36.9	8820	46.5	10450	53.5	12030	60	13490								

0.70 kW / 0.95 hp

TENV



Parallel shaft gear units

P ₁		n ₁ n ₂		M ₂		f _B	i _{tot}	F _R / F _A				F _{RVL} / F _{AVL}				Model type	📦	
[kW]	[hp]	[rpm]	[rpm]	[Nm]	[lb-in]			F _R	F _A	F _R	F _A	F _{RVL}	F _{AVL}	F _{RVL}	F _{AVL}		[kg]	[lb]
0.70	0.95	2100	1.9	3315	29720	1.6	1104.39	38.3	9120	46.5	10450	53.9	12120	60	13490	SK 6382/22 - 71 N2/8	197	434.3
		2100	2.6	2464	22090	2.2	818.71	40.2	9550	46.5	10450	54.5	12260	60	13490			
		2100	3.3	1913	17150	2.8	637.53	41.2	9750	46.5	10450	54.8	12330	60	13490			
		2100	3.7	1711	15340	3.2	569.11	41.4	9820	46.5	10450	54.9	12350	60	13490			
		2100	4.8	1304	11690	4.1	435.29	41.9	9920	46.5	10450	55.1	12390	60	13490			
2100	2.2	2981	26700	0.9	936.45	26.0	5320	32	7190	35.5	8070	40	8990	SK 5382 - 71 N2/8	116	255.7		
2100	3.0	2227	19950	1.4	700.03	28.7	6030	32	7190	36.4	8260	40	8990					
2100	3.7	1816	16270	1.5	570.18	29.8	6300	32	7190	36.7	8340	40	8990					
2100	4.0	1670	14960	1.9	525.2	30.1	6380	32	7190	36.8	8370	40	8990					
2100	4.9	1362	12200	2.3	427.79	30.7	6530	32	7190	37.0	8420	40	8990					
2100	5.8	1151	10310	2.4	361.69	31.0	6610	32	7190	37.1	8440	40	8990					
2100	6.3	1055	9453	3.0	331.48	31.1	6650	32	7190	37.2	8460	40	8990					
2100	7.8	861	7709	3.1	269.99	31.4	6700	32	7190	37.3	8480	40	8990					
2100	8.4	791	7090	4.0	248.7	31.4	6720	32	7190	37.3	8490	40	8990					
2100	10	646	5782	5.0	202.57	31.6	6750	32	7190	37.4	8500	40	8990					
2100	1.9	3285	29440	0.9	1095.71	24.6	4940	32	7190	35.2	7980	40	8990	SK 5282/12 - 71 N2/8	107	235.9		
2100	2.4	2585	23170	1.2	862.46	27.6	5730	32	7190	36.0	8180	40	8990					
2100	3.0	2068	18540	1.5	689.45	29.2	6140	32	7190	36.5	8300	40	8990					
2100	3.8	1649	14780	1.8	550.94	30.2	6390	32	7190	36.8	8370	40	8990					
2100	4.7	1345	12060	2.2	448.15	30.7	6540	32	7190	37.0	8420	40	8990					
2100	6.2	1016	9104	3.0	338.35	31.2	6660	32	7190	37.2	8460	40	8990					
2100	7.7	819	7339	3.7	273.15	31.4	6710	32	7190	37.3	8480	40	8990					
2100	9.0	698	6259	4.3	232.66	31.5	6740	32	7190	37.4	8500	40	8990					
2100	3.5	1929	17280	0.8	605.88	16.6	3880	22	4950	22.7	5280	30	6740				SK 4382 - 71 N2/8	76
2100	3.9	1696	15190	1.2	532.44	17.4	4060	22	4950	23.0	5350	30	6740					
2100	4.7	1417	12690	1.2	445.23	18.2	4250	22	4950	23.3	5430	30	6740					
2100	5.1	1313	11770	1.5	412.38	18.5	4320	22	4950	23.4	5450	30	6740					
2100	5.4	1245	11150	1.6	390.76	18.6	4360	22	4950	23.5	5470	30	6740					
2100	6.1	1097	9830	1.5	344.84	19.0	4440	22	4950	23.6	5500	30	6740					
2100	6.4	1040	9318	1.8	326.81	19.1	4470	22	4950	23.6	5510	30	6740					
2100	6.9	964	8637	2.2	302.65	19.3	4520	22	4950	23.7	5520	30	6740					
2100	7.7	867	7769	1.8	272.54	19.5	4550	22	4950	23.7	5540	30	6740					
2100	8.3	806	7217	2.4	253.12	19.6	4590	22	4950	23.8	5550	30	6740					
2100	8.3	806	7217	2.4	253.12	19.6	4590	22	4950	23.8	5550	30	6740					
2100	10	672	6017	2.4	211.09	19.9	4650	22	4950	23.9	5570	30	6740					
2100	11	610	5460	3.3	191.57	20.0	4680	22	4950	23.9	5570	30	6740					
2100	13	509	4563	3.3	160.2	20.2	4720	22	4950	24.0	5590	30	6740					
2100	15	448	4009	4.5	140.6	20.0	4580	22	4950	24.0	5590	30	6740					
2100	3.0	2100	18820	0.9	698.96	16.1	3740	22	4950	22.4	5230	30	6740	SK 4282/12 - 71 N2/8	71	156.5		
2100	3.8	1674	15010	1.1	558.54	17.5	4080	22	4950	23.0	5360	30	6740					
2100	5.1	1229	11020	1.5	409.92	18.7	4370	22	4950	23.5	5470	30	6740					
2100	6.2	1024	9180	1.8	340.87	19.2	4480	22	4950	23.6	5510	30	6740					
2100	7.0	907	8128	2.0	302.24	19.4	4540	22	4950	23.7	5530	30	6740					
2100	9.0	704	6311	2.6	234.38	19.8	4640	22	4950	23.9	5560	30	6740					
2100	12	532	4766	3.4	176.96	20.1	4720	22	4950	23.9	5580	30	6740					
2100	14	458	4103	3.9	152.47	20.3	4710	22	4950	24.0	5590	30	6740					
2100	16	382	3428	4.7	127.52	19.6	4480	22	4950	24	5600	30	6740					



P ₁		n ₁ n ₂		M ₂		f _B	i _{tot}	F _R / F _A				F _{RVL} / F _{AVL}				Model type	📦	
[kW]	[hp]	[rpm]	[rpm]	[Nm]	[lb-in]			F _R	F _A	F _R	F _A	F _{RVL}	F _{AVL}	F _{RVL}	F _{AVL}		[kg]	[lb]
0.70	0.95	2100	7.3	914	8185	1.0	287.14	10	2240	14.5	3260	13.6	3070	20	4500	SK 3382 - 71 N2/8	54	119
		2100	9.1	735	6580	1.4	230.83	10.7	2410	14.5	3260	13.9	3140	20	4500			
		2100	11	607	5438	1.4	190.69	11.1	2500	14.5	3260	14.1	3180	20	4500			
		2100	13	514	4601	1.5	161.46	11.4	2570	14.5	3260	14.2	3210	20	4500			
		2100	17	404	3621	1.9	126.93	11.7	2640	14.5	3260	14.3	3230	20	4500			
		2100	20	331	2963	2.2	104.05	11.9	2680	14.5	3260	14.4	3250	20	4500			
		2100	23	285	2550	2.2	89.60	11.7	2630	14.5	3260	14.4	3260	20	4500			
2100		5.9		1075	9636	0.8	358.12	9.2	2070	14.5	3260	13.3	3000	20	4500	SK 3282/12 - 71 N2/8	56	123.5
		7.8		812	7276	1.1	270.39	10.4	2340	14.5	3260	13.8	3110	20	4500			
		9.7		653	5849	1.4	217.37	11	2470	14.5	3260	14	3170	20	4500			
		12		539	4834	1.7	179.57	11.3	2550	14.5	3260	14.2	3200	20	4500			
		15		424	3804	2.1	141.49	11.7	2630	14.5	3260	14.3	3230	20	4500			
		18		342	3067	2.6	114.23	11.9	2680	14.5	3260	14.4	3250	20	4500			
		24		263	2360	3.4	87.73	11.8	2650	14.5	3260	14.4	3260	20	4500			
2100		19		357	3200	2.2	112.23	11.8	2670	14.5	3260	14.4	3240	20	4500	SK 3282 - 71 N2/8	46	101.4
		21		321	2876	2.5	100.88	11.9	2690	14.5	3260	14.4	3250	20	4500			
		24		282	2530	3.3	88.74	11.8	2650	14.5	3260	14.4	3260	20	4500			
		26		254	2274	3.3	79.76	11.4	2570	14.5	3260	14.4	3260	20	4500			
		30		224	2011	2.5	70.56	11	2480	14.5	3260	14.5	3270	20	4500			
		32		210	1879	3.6	65.89	10.8	2440	14.5	3260	14.5	3270	20	4500			
		38		177	1590	3.6	55.79	10.3	2330	14.5	3260	14.5	3270	20	4500			
		44		153	1369	3.6	48.04	9.9	2230	14.5	3260	14.5	3280	20	4500			
2100		11		589	5280	0.9	185.11	6.7	1660	12	2700	12.3	2740	15	3370	SK 2382 - 71 N2/8	38	83.8
		14		478	4277	1.1	149.96	8.5	1890	12	2700	12.8	2880	15	3370			
		16		419	3755	1.2	131.86	8.9	1980	12	2700	12.9	2900	15	3370			
		18		371	3319	1.4	116.35	9.2	2050	12	2700	13	2920	15	3370			
		21		313	2806	1.8	98.35	9.5	2110	12	2700	13.1	2940	15	3370			
		26		262	2346	2.1	82.22	9.7	2160	12	2700	13.1	2960	15	3370			
2100		16		406	3634	0.9	127.51	9	2000	12	2700	12.9	2910	15	3370	SK 2282 - 71 N2/8	31	68.3
		20		331	2967	1.2	104.07	9.4	2090	12	2700	13.1	2940	15	3370			
		21		321	2879	1.4	100.98	9.4	2100	12	2700	13.1	2940	15	3370			
		25		262	2351	1.8	82.42	9.7	2160	12	2700	13.1	2960	15	3370			
		30		222	1987	2.0	69.67	9.8	2190	12	2700	13.2	2970	15	3370			
		33		203	1821	2.6	63.83	9.6	2150	12	2700	13.2	2970	15	3370			
		39		172	1539	2.9	53.96	9.1	2050	12	2700	13.3	2980	15	3370			
		47		144	1287	3.1	45.11	8.7	1950	12	2700	13.3	2990	15	3370			
		56		118	1060	3.9	37.18	8.3	1860	12	2700	13.3	2990	15	3370			
		2100		26		258	2314	1.1	81.17	4.5	980	7.2	1610	9.1	2100			
29				230	2057	1.3	72.17	4.5	970	7.2	1610	9.2	2120	7.2	1620			
32				211	1889	1.3	66.23	4.4	950	7.2	1610	9.3	2140	7.2	1620			
36				188	1680	1.5	58.89	4.4	940	7.2	1610	9.4	2150	7.2	1620			
38				176	1579	1.3	55.39	4.3	930	7.2	1610	9.4	2160	7.2	1620			
43				157	1403	1.7	49.25	4.2	910	7.2	1610	9.4	2170	7.2	1620			

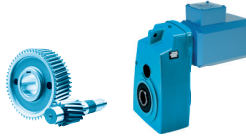
0.70 kW / 0.95 hp
1.05 kW / 1.40 hp


TENV



Parallel shaft gear units

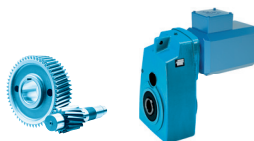
P ₁		n ₁ [rpm]	n ₂ [rpm]	M ₂		f _B	i _{tot}	F _R / F _A				F _{RVL} / F _{AVL}				Model type	📦				
[kW]	[hp]			[Nm]	[lb-in]			F _R	[kN]	[lb]	F _A	[kN]	[lb]	F _{RVL}	[kN]		[lb]	F _{AVL}	[kN]	[lb]	[kg]
0.70	0.95	2100	45	147	1316	1.3	46.19	4.2	900	7.2	1610	9.5	2170	7.2	1620	SK 1282 - 71 N2/8	20	44.1			
		2100	51	131	1170	1.7	41.07	4.1	880	7.2	1610	9.5	2180	7.2	1620						
		2100	65	102	914	2.3	32.08	3.9	850	7.2	1610	9.6	2190	7.2	1620						
		2100	74	90.2	808	2.5	28.33	3.8	820	7.2	1610	9.6	2190	7.2	1620						
		2100	83	80.3	720	2.8	25.22	3.7	800	7.2	1610	9.6	2190	7.2	1620						
		2100	102	65.6	588	3.4	20.57	3.5	760	7.2	1610	9.6	2190	7.2	1620						
		2100	122	54.8	491	4.1	17.21	3.4	730	6.9	1560	9.6	2200	7.2	1620						
		2100	149	44.8	402	4.7	14.11	3.2	690	6.6	1470	9.6	2160	7.2	1620						
1.05	1.40	2100	0.7	14310	121100	0.8	3005.57	52.2	11920	73	16410	79	17650	100	22480	SK 8382/32 - 71 N3/8	407	897.3			
		2100	1.2	8082	68400	1.5	1697.85	66.1	14740	73	16410	84.6	18780	100	22480						
		2100	1.5	6508	55070	1.9	1366.83	68.7	15270	73	16410	85.5	18970	100	22480						
		2100	2.0	5070	42910	2.4	1064.91	70.7	15690	73	16410	86.2	19110	100	22480						
		2100	2.4	4245	35920	2.9	891.21	71.8	15910	73	16410	86.6	19180	100	22480						
		2100	1.2	8624	72980	0.8	1812.31	39.5	9070	58	13040	58.1	13110	80	17990				SK 7382/22 - 71 N3/8	271	597.5
		2100	1.6	6410	54240	1.1	1343.50	45.3	10280	58	13040	60.6	13610	80	17990						
		2100	2.0	4975	42100	1.4	1046.18	48.4	10910	58	13040	61.8	13860	80	17990						
	2100	2.3	4451	37670	1.6	933.91	49.3	11110	58	13040	62.2	13940	80	17990							
	2100	3.0	3391	28700	2.1	714.31	51.1	11490	58	13040	62.8	14080	80	17990							
	2100	3.7	2725	23060	2.6	569.97	52.1	11700	58	13040	63.2	14150	80	17990							
	2100	4.8	2076	17570	3.4	435.50	53.0	11880	58	13040	63.5	14210	80	17990							
	2100	5.6	1796	15200	3.9	376.26	53.4	11960	58	13040	63.6	14240	80	17990							
	2100	1.7	6020	50940	0.9	1259.27	25.9	6960	46.5	10450	48.8	11560	60	13490	SK 6382/22 - 71 N3/8	198	436.5				
	2100	1.9	5275	44640	1.0	1104.39	30.6	7790	46.5	10450	51.4	11750	60	13490							
	2100	2.6	3920	33180	1.4	818.71	36.4	8880	46.5	10450	53.4	12040	60	13490							
	2100	3.3	3043	25750	1.8	637.53	39.0	9360	46.5	10450	54.1	12190	60	13490							
	2100	3.7	2723	23040	2	569.11	39.7	9510	46.5	10450	54.3	12240	60	13490							
	2100	4.8	2074	17560	2.6	435.29	40.9	9740	46.5	10450	54.7	12320	60	13490							
	2100	6.0	1667	14110	3.2	347.33	41.5	9850	46.5	10450	54.9	12370	60	13490							
	2100	7.0	1433	12130	3.8	298.46	41.8	9910	46.5	10450	55	12390	60	13490							
	2100	3.0	3341	29400	1.0	700.03	24.4	4950	32	7190	35.1	7990	40	8990	SK 5382 - 71 N3/8	117	257.9				
	2100	3.7	2725	23980	1.0	570.18	27.1	5640	32	7190	35.8	8150	40	8990							
	2100	4.0	2506	22050	1.3	525.20	27.9	5840	32	7190	36.1	8210	40	8990							
	2100	4.9	2043	17980	1.6	427.79	29.2	6180	32	7190	36.5	8310	40	8990							
	2100	5.8	1727	15200	1.6	361.69	29.9	6370	32	7190	36.8	8360	40	8990							
	2100	6.3	1583	13930	2.0	331.48	30.3	6440	32	7190	36.9	8390	40	8990							
	2100	7.8	1291	11360	2.1	269.99	30.8	6570	32	7190	37.1	8430	40	8990							
	2100	8.4	1187	10450	2.7	248.70	31.0	6610	32	7190	37.1	8440	40	8990							
	2100	10	968	8521	3.3	202.57	30.5	6680	32	7190	37.2	8470	40	8990							
	2100	12	818	7200	3.4	171.27	29.1	6590	32	7190	37.3	8480	40	8990							
	2100	14	735	6464	4.4	153.92	28.3	6410	32	7190	37.3	8490	40	8990							
2100	15	663	5831	4.8	138.82	27.5	6230	32	7190	37.4	8500	40	8990								
2100	18	560	4927	4.9	117.37	26.2	5930	32	7190	37.4	8510	40	8990								



P_1		n_1	n_2	M_2		f_B	i_{tot}	F_R / F_A				F_{RVL} / F_{AVL}				Model type	 [kg] [lb]	
[kW]	[hp]							[Nm]	[lb-in]	F_R	F_A	F_{RVL}	F_{AVL}	[kN]	[lb]			
1.05	1.40	2100	3.0	3290	27840	0.9	689.45	24.6	5170	32	7190	35.2	8040	40	8990	SK 5282/12 - 71 N3/8	108	238.1
		2100	3.8	2624	22210	1.1	550.94	27.5	5820	32	7190	36.0	8210	40	8990			
		2100	4.7	2140	18110	1.4	448.15	29.0	6170	32	7190	36.4	8310	40	8990			
		2100	6.2	1616	13670	1.9	338.35	30.2	6460	32	7190	36.9	8390	40	8990			
		2100	7.7	1303	11020	2.3	273.15	30.8	6580	32	7190	37.1	8440	40	8990			
		2100	9.0	1111	9401	2.7	232.66	30.2	6650	32	7190	37.2	8460	40	8990			
		2100	12	833	7051	3.6	174.55	28.0	6360	32	7190	37.3	8490	40	8990			
		2100	15	679	5750	4.4	142.18	26.4	6000	32	7190	37.4	8500	40	8990			
2100	3.9	2544	22390	0.8	532.44	12.9	3370	22	4950	21.7	5070	30	6740	SK 4382 - 71 N3/8	77	169.8		
2100	4.7	2125	18700	0.8	445.23	15.9	3740	22	4950	22.4	5230	30	6740					
2100	5.1	1970	17340	1.0	412.38	16.5	3880	22	4950	22.6	5280	30	6740					
2100	5.4	1868	16440	1.1	390.76	16.9	3960	22	4950	22.8	5310	30	6740					
2100	6.1	1646	14490	1.0	344.84	17.5	4110	22	4950	23.0	5370	30	6740					
2100	6.4	1560	13730	1.2	326.81	17.8	4170	22	4950	23.1	5400	30	6740					
2100	6.9	1446	12730	1.4	302.65	18.1	4250	22	4950	23.3	5430	30	6740					
2100	7.7	1301	11450	1.2	272.54	18.4	4320	22	4950	23.4	5460	30	6740					
2100	8.3	1209	10640	1.6	253.12	18.7	4390	22	4950	23.5	5480	30	6740					
2100	8.3	1209	10640	1.6	253.12	18.7	4390	22	4950	23.5	5480	30	6740					
2100	10	1008	8868	1.6	211.09	19.1	4490	22	4950	23.6	5520	30	6740					
2100	11	914	8047	2.2	191.57	19.4	4550	22	4950	23.7	5530	30	6740					
2100	13	764	6724	2.2	160.20	19.6	4500	22	4950	23.8	5560	30	6740					
2100	15	671	5908	3.0	140.60	19.1	4370	22	4950	23.9	5570	30	6740					
2100	18	566	4980	3.5	118.38	18.3	4200	22	4950	23.9	5580	30	6740					
2100	20	496	4364	4.0	103.82	17.7	4060	22	4950	24.0	5590	30	6740					
2100	24	414	3646	4.8	86.83	16.9	3870	22	4950	24.0	5600	30	6740					
2100	31	319	2805	3.8	66.65	15.7	3610	22	4950	24.0	5610	30	6740					
2100	5.1	1956	16550	0.9	409.92	16.6	3950	22	4950	22.6	5310	30	6740	SK 4282/12 - 71 N3/8	72	158.7		
2100	6.2	1629	13790	1.1	340.87	17.6	4170	22	4950	23.1	5400	30	6740					
2100	7.0	1443	12210	1.2	302.24	18.1	4290	22	4950	23.3	5440	30	6740					
2100	9.0	1120	9480	1.6	234.38	18.9	4470	22	4950	23.6	5500	30	6740					
2100	12	846	7158	2.1	176.96	19.5	4600	22	4950	23.8	5550	30	6740					
2100	14	728	6162	2.5	152.47	19.4	4480	22	4950	23.8	5560	30	6740					
2100	16	608	5149	3.0	127.52	18.6	4290	22	4950	23.9	5580	30	6740					
2100	9.1	1102	9697	0.9	230.83	9.1	2060	14.5	3260	13.2	2990	20	4500				SK 3382 - 71 N3/8	55
2100	11	911	8014	1.0	190.69	9.9	2250	14.5	3260	13.6	3080	20	4500					
2100	13	771	6781	1.0	161.46	10.5	2380	14.5	3260	13.8	3130	20	4500					
2100	17	606	5337	1.3	126.93	11.1	2510	14.5	3260	14.1	3180	20	4500					
2100	20	496	4366	1.5	104.05	11.3	2550	14.5	3260	14.2	3210	20	4500					
2100	23	427	3759	1.5	89.6	10.9	2470	14.5	3260	14.3	3230	20	4500					
2100	9.7	1038	8786	0.9	217.37	9.4	2170	14.5	3260	13.4	3040	20	4500	SK 3282/12 - 71 N3/8	57	125.7		
2100	12	858	7261	1.0	179.57	10.2	2330	14.5	3260	13.7	3110	20	4500					
2100	15	675	5714	1.3	141.49	10.9	2490	14.5	3260	14.0	3170	20	4500					
2100	18	544	4607	1.7	114.23	11.3	2580	14.5	3260	14.2	3210	20	4500					
2100	24	419	3544	2.1	87.73	11.0	2500	14.5	3260	14.3	3240	20	4500					

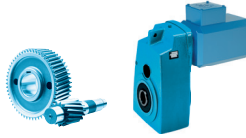
1.05 kW / 1.40 hp

TENV



Parallel shaft gear units

P ₁		n ₁	n ₂	M ₂		f _B	i _{tot}	F _R / F _A				F _{RVL} / F _{AVL}				Model type	📦				
[kW]	[hp]			[Nm]	[lb-in]			F _R	F _A	F _{RVL}	F _{AVL}	[kN]	[lb]	[kN]	[lb]		[kN]	[lb]	[kg]	[lb]	
1.05	1.40	2100	19	536	4716	1.4	112.23	11.3	2570	14.5	3260	14.2	3200	20	4500	SK 3282 - 71 N3/8	47	103.6			
		2100	21	482	4238	1.7	100.88	11.3	2560	14.5	3260	14.2	3220	20	4500						
		2100	24	424	3729	2.2	88.74	11.1	2500	14.5	3260	14.3	3230	20	4500						
		2100	26	381	3351	2.2	79.76	10.8	2440	14.5	3260	14.3	3240	20	4500						
		2100	30	337	2963	1.7	70.56	10.4	2350	14.5	3260	14.4	3250	20	4500						
		2100	32	315	2769	2.4	65.89	10.3	2330	14.5	3260	14.4	3250	20	4500						
		2100	38	266	2343	2.4	55.79	9.9	2230	14.5	3260	14.4	3260	20	4500						
		2100	44	229	2017	2.4	48.04	9.5	2140	14.5	3260	14.4	3270	20	4500						
		2100	50	201	1767	4.6	42.02	9.3	2090	14.5	3260	14.5	3270	20	4500						
		2100	56	180	1588	4.6	37.77	9	2030	14.5	3260	14.5	3270	20	4500						
2100	16	629	5533	0.8	131.86	5.7	1580	12	2700	12	2690	15	3370	SK 2382 - 71 N3/8	39	86.0					
		2100	18	556	4891	0.9	116.35	7.4	1760	12	2700	12.5	2800				15	3370			
		2100	21	470	4134	1.2	98.35	8.6	1920	12	2700	12.8	2890				15	3370			
		2100	26	393	3457	1.4	82.22	9.1	2030	12	2700	13	2910				15	3370			
2100	21	482	4243	0.9	100.98	8.5	1900	12	2700	12.8	2880	15	3370	SK 2282 - 71 N3/8	32	70.5					
		2100	25	394	3464	1.2	82.42	9.1	2030	12	2700	13	2920				15	3370			
		2100	30	333	2929	1.3	69.67	9.1	2050	12	2700	13	2940				15	3370			
		2100	33	305	2683	1.7	63.83	9	2020	12	2700	13.1	2950				15	3370			
		2100	39	258	2268	2	53.96	8.6	1950	12	2700	13.2	2960				15	3370			
		2100	47	216	1897	2.1	45.11	8.3	1860	12	2700	13.2	2970				15	3370			
		2100	56	178	1562	2.6	37.18	7.9	1790	12	2700	13.2	2980				15	3370			
		2100	71	142	1245	3.5	29.65	7.5	1680	12	2700	13.3	2990				15	3370			
		2100	78	128	1127	3.4	26.83	7.3	1640	12	2700	13.3	2990				15	3370			
		2100	84	119	1050	4.1	24.97	7.2	1610	12	2700	13.3	2990				15	3370			
		2100	88	115	1008	3.8	23.96	7.1	1590	12	2700	13.3	2990				15	3370			
		2100	96	105	920	4.6	21.9	6.9	1550	12	2700	13.3	3000				15	3370			
		2100	26	388	3411	0.8	81.17	3.7	800	7.2	1610	8.3	1980				7.2	1620	SK 1282 - 71 N3/8	21	46.3
				2100	29	345	3032	0.9	72.17	3.7	810	7.2	1610				8.6	2030			
2100	32			316	2784	0.9	66.23	3.7	810	7.2	1610	8.7	2060	7.2	1620						
2100	36			281	2475	1	58.89	3.7	810	7.2	1610	8.9	2090	7.2	1620						
2100	38			264	2326	0.9	55.39	3.7	800	7.2	1610	9	2100	7.2	1620						
2100	43			235	2068	1.1	49.25	3.7	800	7.2	1610	9.2	2120	7.2	1620						
2100	45			220	1940	0.9	46.19	3.6	790	7.2	1610	9.2	2130	7.2	1620						
2100	51			196	1724	1.1	41.07	3.6	780	7.2	1610	9.3	2150	7.2	1620						
2100	65			153	1348	1.5	32.08	3.6	770	7.2	1610	9.5	2170	7.2	1620						
2100	74			135	1191	1.7	28.33	3.5	760	7.2	1610	9.5	2180	7.2	1620						
2100	83			121	1061	1.9	25.22	3.4	750	7.2	1610	9.5	2180	7.2	1620						
2100	102			98.4	866	2.3	20.57	3.3	710	6.9	1550	9.6	2190	7.2	1620						
2100	122			82.2	723	2.7	17.21	3.2	690	6.6	1480	9.6	2190	7.2	1620						
2100	149			67.3	592	3.1	14.11	3	660	6.3	1410	9.6	2130	7.2	1620						
2100	179			56.1	494	3.6	11.76	2.9	630	6	1340	9.4	2030	7.2	1620						
2100	203			49.4	435	4	10.34	2.8	610	5.8	1300	9.1	1960	7.2	1620						
2100	229			43.7	385	4.3	9.18	2.7	590	5.6	1260	8.8	1890	7.2	1620						
2100	255			39.3	346	4.9	8.24	2.6	570	5.4	1220	8.5	1840	7.2	1620						
2100	257			39.1	344	4.1	8.21	2.7	570	5.5	1230	8.5	1840	7.2	1620						




P_1		n_1	n_2	M_2		f_B	i_{tot}	F_R / F_A				F_{RVL} / F_{AVL}				Model type	📦	
[kW]	[hp]			[Nm]	[lb-in]			F_R	F_A	F_{RVL}	F_{AVL}	[kN]	[lb]	[kN]	[lb]		[kN]	[lb]
1.10	1.50	2100	3	3447	29910	0.9	689.45	23.8	4870	32	7190	34.9	7970	40	8990	SK 5282/12 - 90 N1/8	111	244.7
		2100	3.8	2749	23860	1.1	550.94	27.0	5660	32	7190	35.8	8160	40	8990			
		2100	4.7	2242	19450	1.3	448.15	28.7	6070	32	7190	36.3	8280	40	8990			
		2100	6.2	1693	14690	1.8	338.35	30.1	6400	32	7190	36.8	8380	40	8990			
		2100	7.7	1365	11840	2.2	273.15	30.7	6550	32	7190	37	8420	40	8990			
		2100	9	1164	10100	2.6	232.66	30.0	6620	32	7190	37.1	8450	40	8990			
		2100	12	873	7574	3.4	174.55	27.9	6320	32	7190	37.3	8480	40	8990			
		2100	15	712	6177	4.2	142.18	26.3	5960	32	7190	37.4	8500	40	8990			
2100	5.1	2049	17780	0.9	409.92	16.2	3840	22	4950	22.5	5270	30	6740	SK 4282/12 - 90 N1/8	75	165.3		
		2100	6.2	1707	14810	1.1	340.87	17.4	4090	22	4950	23	5370				30	6740
		2100	7	1511	13120	1.2	302.24	17.9	4220	22	4950	23.2	5420				30	6740
		2100	9	1174	10180	1.5	234.38	18.8	4420	22	4950	23.5	5490				30	6740
		2100	12	886	7690	2.0	176.96	19.5	4570	22	4950	23.7	5540				30	6740
		2100	14	763	6620	2.4	152.47	19.3	4430	22	4950	23.8	5560				30	6740
		2100	16	637	5531	2.8	127.52	18.5	4250	22	4950	23.9	5570				30	6740
		2100	17	635	5718	1.2	126.93	11.0	2480	14.5	3260	14	3170				20	4500
2100	20			520	4678	1.4	104.05	11.2	2510	14.5	3260	14.2	3200	20	4500			
2100	23			447	4027	1.4	89.6	10.8	2430	14.5	3260	14.3	3220	20	4500			
2100	9.7	1088	9439	0.8	217.37	9.2	2090	14.5	3260	13.3	3010	20	4500	SK 3282/12 - 90 N1/8	60	132.3		
		2100	12	899	7801	1.0	179.57	10.0	2280	14.5	3260	13.6	3090				20	4500
		2100	15	707	6139	1.3	141.49	10.8	2450	14.5	3260	13.9	3160				20	4500
		2100	18	570	4949	1.6	114.23	11.2	2550	14.5	3260	14.1	3200				20	4500
		2100	24	439	3807	2.1	87.73	10.9	2470	14.5	3260	14.3	3230				20	4500
2100	18	582	5240	0.9	116.35	6.9	1670	12	2700	12.3	2740	15	3370	SK 2382 - 90 N1/8	42	92.6		
		2100	21	492	4430	1.1	98.35	8.4	1860	12	2700	12.8	2860				15	3370
		2100	26	412	3704	1.4	82.22	9.0	1990	12	2700	12.9	2900				15	3370
2100	83	126	1136	1.8	25.22	3.4	730	7.1	1600	9.5	2180	7.2	1620	SK 1282 - 90 N1/8	24	52.9		
		2100	102	103	928	2.2	20.57	3.3	700	6.8	1530	9.6	2190				7.2	1620
		2100	122	86.1	775	2.6	17.21	3.2	680	6.5	1470	9.6	2190				7.2	1620
		2100	149	70.5	634	3.0	14.11	3.0	650	6.2	1400	9.6	2130				7.2	1620
		2100	179	58.8	529	3.5	11.76	2.9	620	5.9	1330	9.4	2020				7.2	1620
		2100	203	51.7	466	3.8	10.34	2.8	600	5.8	1290	9.1	1950				7.2	1620
		2100	229	45.8	412	4.1	9.18	2.7	580	5.6	1250	8.8	1890				7.2	1620
		2100	255	41.2	370	4.6	8.24	2.6	560	5.4	1210	8.5	1830				7.2	1620
		2100	257	40.9	368	3.9	8.21	2.6	570	5.4	1220	8.5	1830				7.2	1620
1.50	2.00	2100	3.8	3748	32100	0.8	550.94	22.0	4510	32	7190	34.5	7890	40	8990	SK 5282/12 - 90 N2/8	111.8	246.5
		2100	4.7	3057	26180	1.0	448.15	25.7	5390	32	7190	35.5	8090	40	8990			
		2100	6.2	2308	19770	1.3	338.35	28.5	6040	32	7190	36.3	8270	40	8990			
		2100	7.7	1861	15940	1.6	273.15	29.5	6320	32	7190	36.7	8350	40	8990			
		2100	9.0	1587	13590	1.9	232.66	28.6	6460	32	7190	36.9	8400	40	8990			
		2100	12	1190	10190	2.5	174.55	26.8	6100	32	7190	37.1	8450	40	8990			
		2100	15	971	8313	3.1	142.18	25.4	5770	32	7190	37.2	8470	40	8990			

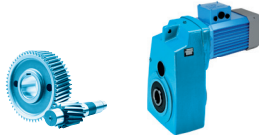
1.50 kW / 2.00 hp
2.20 kW / 3.00 hp


TENV



Parallel shaft gear units

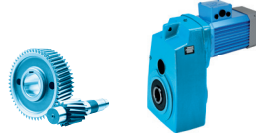
P ₁		n ₁	n ₂	M ₂		f _B	i _{tot}	F _R / F _A				F _{RVL} / F _{AVL}				Model type	 [kg] [lb]	
								F _R	F _A	F _{RVL}	F _{AVL}	F _R	F _A	F _{RVL}	F _{AVL}			
[kW]	[hp]	[rpm]		[Nm]	[lb-in]			[kN]	[lb]	[kN]	[lb]	[kN]	[lb]	[kN]	[lb]			
1.50	2.00	2100	6.2	2328	19930	0.8	340.87	14.8	3630	22	4950	22.1	5180	30	6740	SK 4282/12 - 90 N2/8	75.8	167.1
		2100	7.0	2061	17650	0.9	302.24	16.2	3850	22	4950	22.5	5270	30	6740			
		2100	9.0	1600	13700	1.1	234.38	17.7	4180	22	4950	23.1	5400	30	6740			
		2100	12	1208	10350	1.5	176.96	18.6	4290	22	4950	23.5	5490	30	6740			
		2100	14	1040	8908	1.7	152.47	18.1	4190	22	4950	23.6	5520	30	6740			
		2100	16	869	7444	2.1	127.52	17.5	4040	22	4950	23.7	5540	30	6740			
		2100	15	965	8261	0.9	141.49	9.7	2230	14.5	3260	13.5	3070	20	4500			
		2100	18	778	6660	1.2	114.23	10.4	2380	14.5	3260	13.8	3140	20	4500			
		2100	24	598	5123	1.5	87.73	10.1	2300	14.5	3260	14.1	3190	20	4500			
		2100	83	172	1515	1.3	25.22	3.1	670	6.6	1480	9.4	2160	7.2	1620			
		2100	102	141	1237	1.6	20.57	3.0	650	6.4	1430	9.5	2170	7.2	1620			
		2100	122	117	1033	1.9	17.21	2.9	640	6.2	1390	9.5	2180	7.2	1620			
		2100	149	96.1	846	2.2	14.11	2.8	610	5.9	1340	9.6	2090	7.2	1620			
		2100	179	80.1	705	2.5	11.76	2.7	590	5.7	1280	9.2	1990	7.2	1620			
		2100	203	70.6	621	2.8	10.34	2.7	570	5.5	1240	8.9	1930	7.2	1620			
2100	229	62.5	550	3.0	9.18	2.6	560	5.4	1210	8.6	1870	7.2	1620					
2100	255	56.1	494	3.4	8.24	2.5	540	5.1	1150	8.4	1810	7.2	1620					
2100	257	55.8	491	2.9	8.21	2.5	550	5.2	1170	8.4	1810	7.2	1620					
2100	290	49.4	435	3.8	7.24	2.4	530	4.9	1090	8.1	1750	7.2	1620					
2100	327	43.8	385	4.1	6.43	2.4	510	4.6	1040	7.8	1690	7.2	1620					
2100	384	37.3	329	4.6	5.47	2.3	490	4.3	980	7.5	1620	7.2	1620					
2100	439	32.6	287	3.9	4.79	2.2	480	4.1	930	7.2	1560	7.2	1620					
2.20	3.00	2100	6.2	3385	29920	0.9	338.35	24.1	4870	32	7190	35.0	7970	40	8990	SK 5282/12 - 90 N3/8	114.2	251.8
		2100	7.7	2729	24120	1.1	273.15	26.7	5630	32	7190	35.8	8150	40	8990			
		2100	9.0	2327	20570	1.3	232.66	26.2	5920	32	7190	36.3	8250	40	8990			
		2100	12	1746	15430	1.7	174.55	25.0	5650	32	7190	36.8	8360	40	8990			
		2100	15	1424	12580	2.1	142.18	23.9	5400	32	7190	37.0	8410	40	8990			
		2100	9.0	2347	20750	0.8	234.38	14.7	3550	22	4950	22.1	5150	30	6740			
		2100	12	1772	15670	1.0	176.96	16.2	3710	22	4950	22.9	5340	30	6740			
		2100	14	1526	13490	1.2	152.47	16.1	3690	22	4950	23.2	5410	30	6740			
		2100	16	1275	11270	1.4	127.52	15.8	3620	22	4950	23.4	5460	30	6740			
		2100	83	253	2273	0.9	25.22	2.6	550	5.6	1260	9.1	2110	7.2	1620			
		2100	102	206	1855	1.1	20.57	2.6	550	5.6	1250	9.3	2140	7.2	1620			
		2100	122	172	1550	1.3	17.21	2.6	550	5.5	1230	9.4	2120	7.2	1620			
		2100	149	141	1268	1.5	14.11	2.5	540	5.4	1200	9.4	2030	7.2	1620			
		2100	179	118	1058	1.7	11.76	2.5	530	5.2	1160	9	1940	7.2	1620			
		2100	203	103	931	1.9	10.34	2.4	520	5.1	1140	8.7	1880	7.2	1620			
2100	229	91.6	825	2.1	9.18	2.4	510	4.9	1100	8.5	1820	7.2	1620					
2100	255	82.3	741	2.3	8.24	2.3	500	4.6	1040	8.2	1770	7.2	1620					
2100	257	81.8	737	2.0	8.21	2.4	510	4.8	1070	8.2	1780	7.2	1620					
2100	290	72.5	653	2.6	7.24	2.3	490	4.5	1000	7.9	1710	7.2	1620					
2100	327	64.2	578	2.8	6.43	2.2	480	4.3	960	7.7	1660	7.2	1620					
2100	384	54.8	493	3.1	5.47	2.1	460	4.1	910	7.4	1590	7.2	1620					
2100	439	47.8	430	2.7	4.79	2.1	450	3.9	870	7.1	1540	7.2	1620					



P_1		n_1	n_2	M_2		f_B	i_{tot}	F_R / F_A				F_{RVL} / F_{AVL}				Model type		
[kW]	[hp]							[Nm]	[lb-in]	F_R	F_A	F_{RVL}	F_{AVL}	[kN]	[lb]			
0.50	0.67	2400	0.18	23830	210700	1.0	13055.17	88.5	19900	102	22930	120	26980	130	29230	SK 9382/43 - 71 F1/8	736.9	1624.6
		2400	0.22	20070	177500	1.2	10974.53	94.5	21260	102	22930	120	26980	130	29230			
		2400	0.30	14750	130400	1.6	8068.17	101.6	22850	102	22930	120	26980	130	29230			
		2400	0.36	12310	108900	1.9	6734.26	104.3	23460	102	22930	120	26980	130	29230			
		2400	0.43	10270	90780	2.3	5612.08	106.4	23920	102	22930	120	26980	130	29230			
		2400	0.51	8649	76490	2.8	4736.06	107.8	24250	102	22930	120	26980	130	29230			
2400	0.36	12080	106800	1.0	6616.79	58.0	12810	73	16410	81.4	18020	100	22480	SK 8382/32 - 71 F1/8	404.9	892.7		
		2400	0.44	10080	89090	1.2	5507.20	62.4	13780	73	16410	83.1	18410				100	22480
		2400	0.57	7693	68030	1.6	4211.43	66.8	14760	73	16410	84.8	18780				100	22480
		2400	0.68	6441	56960	1.9	3524.83	68.8	15200	73	16410	85.6	18940				100	22480
		2400	0.80	5484	48500	2.2	3005.57	70.2	15500	73	16410	86.0	19050				100	22480
		2400	1.40	3098	27400	3.9	1697.85	73.1	16150	73	16410	86.9	19250				100	22480
2400	1.80	2495	22060	4.9	1366.83	73.7	16290	73	16410	87.1	19280	100	22480					
		2400	0.49	8950	79140	0.8	4892.48	38.5	8610	58	13040	57.7	12910	80	17990	SK 7382/22 - 71 F1/8	268.9	592.8
		2400	0.66	6612	58470	1.1	3615.97	44.8	10030	58	13040	60.4	13510	80	17990			
		2400	0.91	4814	42570	1.5	2635.97	48.7	10890	58	13040	61.9	13850	80	17990			
		2400	1.20	3773	33360	1.9	2066.45	50.5	11300	58	13040	62.6	14010	80	17990			
		2400	1.30	3306	29230	2.1	1812.31	51.3	11470	58	13040	62.9	14070	80	17990			
2400	1.80	2457	21730	2.9	1343.50	52.5	11750	58	13040	63.3	14170	80	17990					
2400	2.30	1907	16870	3.7	1046.18	53.2	11910	58	13040	63.5	14220	80	17990					
		2400	2.60	1706	15090	4.1	933.91	53.5	11960	58	13040	63.6	14240	80	17990			
		2400	0.69	6326	55950	0.9	3450.76	23.6	6140	46.5	10450	47.5	11390	60	13490	SK 6382/22 - 71 F1/8	195.9	431.9
		2400	0.88	5012	44320	1.0	2738.39	32.0	7830	46.5	10450	52.2	11760	60	13490			
		2400	1.10	4044	35770	1.3	2203.53	36.0	8670	46.5	10450	53.3	11990	60	13490			
		2400	1.30	3403	30090	1.6	1859.20	38.0	9100	46.5	10450	53.8	12110	60	13490			
2400	1.90	2308	20410	2.3	1259.27	40.5	9630	46.5	10450	54.6	12280	60	13490					
2400	2.20	2022	17880	2.7	1104.39	41.0	9730	46.5	10450	54.7	12320	60	13490					
2400	2.90	1503	13290	3.6	818.71	41.7	9880	46.5	10450	55.0	12380	60	13490					
		2400	3.80	1167	10320	4.6	637.53	42.0	9950	46.5	10450	55.1	12410	60	13490			
2400	1.80	2720	24060	1.0	1367.08	27.1	5630	32	7190	35.8	8150	40	8990	SK 5382 - 71 F1/8	114.9	253.3		
		2400	2.60	1863	16480	1.4	936.45	29.7	6290	32	7190	36.7	8340				40	8990
		2400	3.40	1392	12310	2.3	700.03	30.6	6530	32	7190	37.0	8420				40	8990
		2400	4.20	1135	10040	2.5	570.18	31.0	6620	32	7190	37.2	8450				40	8990
		2400	4.60	1044	9233	3.1	525.20	31.2	6650	32	7190	37.2	8460				40	8990
		2400	5.60	851	7530	3.8	427.79	31.4	6710	32	7190	37.3	8480				40	8990
		2400	6.60	719	6363	3.9	361.69	31.5	6740	32	7190	37.3	8490				40	8990
		2400	7.20	660	5833	4.9	331.48	31.5	6750	32	7190	37.4	8500				40	8990
		2400	8.90	538	4758	5.0	269.99	31.6	6770	32	7190	37.4	8510				40	8990

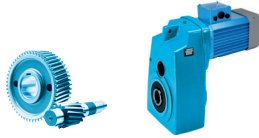
0.50 kW / 0.67 hp

TEFC

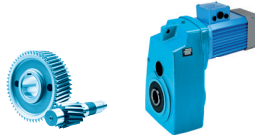


Parallel shaft gear units

P ₁		n ₁ n ₂		M ₂		f _B	i _{tot}	F _R / F _A				F _{RVL} / F _{AVL}				Model type	📦	
[kW]	[hp]	[rpm]	[rpm]	[Nm]	[lb-in]			F _R	F _A	F _R	F _A	F _{RVL}	F _{AVL}	F _{RVL}	F _{AVL}		[kg]	[lb]
								[kN]	[lb]	[kN]	[lb]	[kN]	[lb]	[kN]	[lb]			
0.50	0.67	2400	1.30	3300	29180	0.9	1805.75	24.6	4980	32	7190	35.1	7990	40	8990	SK 5282/12 - 71 F1/8	105.9	233.5
		2400	1.80	2441	21580	1.2	1334.62	28.1	5880	32	7190	36.2	8220	40	8990			
		2400	2.20	2003	17710	1.5	1095.71	29.3	6200	32	7190	36.6	8310	40	8990			
		2400	2.80	1576	13940	1.9	862.46	30.3	6440	32	7190	36.9	8390	40	8990			
		2400	3.50	1261	11150	2.4	689.45	30.9	6580	32	7190	37.1	8430	40	8990			
		2400	4.4	1006	8895	3	550.94	31.2	6670	32	7190	37.2	8470	40	8990			
		2400	5.4	820	7254	3.7	448.15	31.4	6720	32	7190	37.3	8480	40	8990			
		2400	7.1	619	5477	4.8	338.35	31.6	6760	32	7190	37.4	8500	40	8990			
2400		3.1	1556	13760	0.9	782.32	17.8	4170	22	4950	23.1	5400	30	6740	SK 4382 - 71 F1/8	74.9	165.1	
		3.7	1300	11500	0.9	654.27	18.5	4330	22	4950	23.4	5460	30	6740				
		4	1205	10660	1.2	605.88	18.7	4390	22	4950	23.5	5480	30	6740				
		4.5	1060	9374	1.9	532.44	19.1	4470	22	4950	23.6	5510	30	6740				
		5.4	886	7832	1.9	445.23	19.5	4560	22	4950	23.7	5540	30	6740				
		5.8	821	7260	2.4	412.38	19.6	4590	22	4950	23.8	5550	30	6740				
		6.1	778	6882	2.6	390.76	19.7	4610	22	4950	23.8	5550	30	6740				
		7.0	686	6066	2.4	344.84	19.9	4650	22	4950	23.9	5570	30	6740				
		7.3	650	5750	2.9	326.81	19.9	4670	22	4950	23.9	5570	30	6740				
		7.9	603	5330	3.4	302.65	20.0	4690	22	4950	23.9	5580	30	6740				
		8.8	542	4794	2.9	272.54	20.1	4710	22	4950	23.9	5580	30	6740				
		9.5	504	4454	3.9	253.12	20.2	4730	22	4950	24	5590	30	6740				
		9.5	504	4454	3.9	253.12	20.2	4730	22	4950	24	5590	30	6740				
		11	420	3713	3.9	211.09	20.3	4760	22	4950	24	5600	30	6740				
2400		2.2	2034	17980	0.9	1110.82	16.3	3820	22	4950	22.5	5260	30	6740	SK 4282/12 - 71 F1/8	69.9	154.1	
		2.7	1601	14150	1.1	873.31	17.7	4140	22	4950	23.1	5390	30	6740				
		3.4	1280	11320	1.4	698.96	18.6	4350	22	4950	23.4	5460	30	6740				
		4.3	1021	9031	1.8	558.54	19.2	4490	22	4950	23.6	5510	30	6740				
		5.9	750	6630	2.4	409.92	19.7	4630	22	4950	23.8	5560	30	6740				
		7.0	625	5523	2.9	340.87	20.0	4680	22	4950	23.9	5570	30	6740				
		7.9	553	4890	3.3	302.24	20.1	4710	22	4950	23.9	5580	30	6740				
		10	429	3797	4.2	234.38	20.3	4760	22	4950	24	5600	30	6740				
2400		4.1	1162	10280	0.9	584.13	8.8	1980	14.5	3260	13.1	2960	20	4500	SK 3382 - 71 F1/8	52.9	116.6	
		5.0	960	8494	0.9	482.56	9.7	2200	14.5	3260	13.5	3060	20	4500				
		5.9	813	7186	1.0	408.58	10.3	2340	14.5	3260	13.8	3110	20	4500				
		8.4	571	5051	1.6	287.14	11.2	2540	14.5	3260	14.1	3190	20	4500				
		10	459	4061	2.2	230.83	11.6	2620	14.5	3260	14.3	3220	20	4500				
		13	379	3356	2.3	190.69	11.8	2660	14.5	3260	14.3	3240	20	4500				
		15	321	2839	2.5	161.46	11.9	2690	14.5	3260	14.4	3250	20	4500				
		19	253	2235	3.1	126.93	12.1	2730	14.5	3260	14.4	3260	20	4500				
		23	207	1828	3.6	104.05	12.2	2750	14.5	3260	14.5	3270	20	4500				
		27	178	1574	3.5	89.6	11.7	2630	14.5	3260	14.5	3270	20	4500				

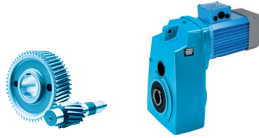



P ₁		n ₁	n ₂	M ₂		f _B	i _{tot}	F _R / F _A				F _{RVL} / F _{AVL}				Model type	📦	
[kW]	[hp]			[Nm]	[lb-in]			F _R	F _A	F _{RVL}	F _{AVL}	[kN]	[lb]	[kN]	[lb]		[kN]	[lb]
0.50	0.67	2400	4.6	954	8433	0.9	520.83	9.8	2210	14.5	3260	13.5	3060	20	4500	SK 3282/12 - 71 F1/8	54.9	121
		2400	5.2	844	7467	1.1	461.81	10.3	2320	14.5	3260	13.7	3100	20	4500			
		2400	6.7	656	5798	1.4	358.12	11.0	2480	14.5	3260	14.0	3170	20	4500			
		2400	8.9	495	4378	1.8	270.39	11.5	2590	14.5	3260	14.2	3210	20	4500			
		2400	11	398	3519	2.3	217.37	11.7	2650	14.5	3260	14.3	3240	20	4500			
		2400	13	329	2909	2.7	179.57	11.9	2690	14.5	3260	14.4	3250	20	4500			
		2400	17	259	2289	3.5	141.49	12.1	2730	14.5	3260	14.4	3260	20	4500			
		2400	21	209	1845	4.3	114.23	12.2	2750	14.5	3260	14.5	3270	20	4500			
2400	21	223	1975	3.4	112.23	12.1	2750	14.5	3260	14.5	3270	20	4500	SK 3282 - 71 F1/8	44.9	99.0		
	2400	24	201	1774	4.0	100.88	12.1	2730	14.5	3260	14.5	3270	20				4500	
	2400	34	140	1241	4.0	70.56	10.9	2460	14.5	3260	14.5	3280	20				4500	
2400	7.3	657	5814	0.9	330.45	4.8	1350	12	2700	11.8	2640	15	3370	SK 2382 - 71 F1/8	36.9	81.4		
	2400	8.7	550	4862	1.0	276.27	7.5	1760	12	2700	12.5	2800	15				3370	
	2400	10	469	4148	1.0	236.11	8.6	1910	12	2700	12.8	2880	15				3370	
	2400	13	368	3258	1.4	185.11	9.2	2060	12	2700	13.0	2920	15				3370	
	2400	16	298	2640	1.7	149.96	9.5	2130	12	2700	13.1	2950	15				3370	
	2400	18	262	2317	2.0	131.86	9.7	2160	12	2700	13.1	2960	15				3370	
	2400	21	232	2048	2.2	116.35	9.8	2190	12	2700	13.2	2970	15				3370	
	2400	24	196	1731	2.9	98.35	9.9	2210	12	2700	13.2	2980	15				3370	
	2400	29	164	1448	3.4	82.22	9.9	2230	12	2700	13.3	2980	15				3370	
	2400	6.7	652	5770	0.8	356.28	4.9	1410	12	2700	11.9	2650	15				3370	SK 2282/02 - 71 F1/8
2400		8.3	527	4663	1.0	287.51	8.0	1810	12	2700	12.7	2830	15	3370				
2400		11	397	3507	1.3	215.75	9.0	2020	12	2700	13.0	2910	15	3370				
2400		14	321	2841	1.6	174.78	9.4	2110	12	2700	13.1	2940	15	3370				
2400	19	254	2243	1.5	127.51	9.7	2170	12	2700	13.2	2960	15	3370	SK 2282 - 71 F1/8	29.9	65.9		
	2400	23	207	1831	1.9	104.07	9.8	2200	12	2700	13.2	2970	15				3370	
	2400	24	201	1777	2.2	100.98	9.9	2210	12	2700	13.2	2970	15				3370	
	2400	29	164	1451	2.9	82.42	9.9	2230	12	2700	13.3	2980	15				3370	
	2400	34	139	1226	3.2	69.67	9.7	2190	12	2700	13.3	2990	15				3370	
	2400	38	127	1124	4.1	63.83	9.5	2140	12	2700	13.3	2990	15				3370	
	2400	44	107	950	4.7	53.96	9.1	2040	12	2700	13.3	3000	15				3370	
	2400	53	89.8	794	5.0	45.11	8.6	1930	12	2700	13.3	3000	15				3370	
2400	30	161	1428	1.8	81.17	4.9	1060	7.2	1610	9.4	2160	7.2	1620	SK 1282 - 71 F1/8	18.9	41.7		
	2400	33	144	1270	2.1	72.17	4.8	1040	7.2	1610	9.5	2170	7.2				1620	
	2400	36	132	1166	2.0	66.23	4.7	1020	7.2	1610	9.5	2180	7.2				1620	
	2400	41	117	1036	2.4	58.89	4.6	990	7.2	1610	9.5	2180	7.2				1620	
	2400	43	110	974	2.1	55.39	4.5	980	7.2	1610	9.6	2180	7.2				1620	
	2400	49	97.9	866	2.7	49.25	4.4	950	7.2	1610	9.6	2190	7.2				1620	
	2400	52	91.8	812	2.1	46.19	4.3	930	7.2	1610	9.6	2190	7.2				1620	
	2400	58	81.6	722	2.7	41.07	4.2	910	7.2	1610	9.6	2190	7.2				1620	
	2400	75	63.8	564	3.6	32.08	4.0	860	7.2	1610	9.6	2200	7.2				1620	
	2400	85	56.4	499	4.0	28.33	3.8	830	7.2	1610	9.6	2200	7.2				1620	
	2400	95	50.2	444	4.5	25.22	3.7	810	7.2	1610	9.6	2200	7.2				1620	



Parallel shaft gear units

P ₁		n ₁	n ₂	M ₂		f _B	i _{tot}	F _R / F _A				F _{RVL} / F _{AVL}				Model type	 [kg] [lb]	
								F _R	F _A	F _{RVL}	F _{AVL}	F _R	F _A	F _{RVL}	F _{AVL}			
[kW]	[hp]	[rpm]		[Nm]	[lb-in]			[kN]	[lb]	[kN]	[lb]	[kN]	[lb]	[kN]	[lb]			
1.00	1.35	2400	0.36	26760	228900	0.9	6734.26	83.1	19060	102	22930	120	26980	130	29230	SK 9382/43 - 71 F2/8	738	1627
		2400	0.43	22320	190900	1.1	5612.08	91.0	20730	102	22930	120	26980	130	29230			
		2400	0.51	18800	160900	1.3	4736.06	96.4	21860	102	22930	120	26980	130	29230			
2400	0.68	14000	119800	0.9	3524.83	53.1	12000	73	16410	79.4	17690	100	22480	SK 8382/32 - 71 F2/8	406	895		
		2400	0.8	11920	102000	1.0	3005.57	58.4	13090	73	16410	81.5	18130				100	22480
		2400	1.4	6735	57620	1.8	1697.85	68.3	15170	73	16410	85.4	18930				100	22480
		2400	1.8	5423	46400	2.2	1366.83	70.3	15570	73	16410	86.1	19070				100	22480
		2400	2.3	4225	36150	2.9	1064.91	71.8	15900	73	16410	86.6	19170				100	22480
		2400	2.7	3537	30270	3.4	891.21	72.6	16070	73	16410	86.8	19220				100	22480
2400	1.2	8202	70170	0.9	2066.45	40.7	9270	58	13040	58.6	13190	80	17990	SK 7382/22 - 71 F2/8	270	595.2		
		2400	1.3	7186	61490	1.0	1812.31	43.4	9850	58	13040	59.8	13430				80	17990
		2400	1.8	5341	45700	1.3	1343.5	47.6	10730	58	13040	61.5	13790				80	17990
		2400	2.3	4146	35470	1.7	1046.18	49.9	11210	58	13040	62.4	13980				80	17990
		2400	2.6	3709	31740	1.9	933.91	50.6	11370	58	13040	62.6	14040				80	17990
		2400	3.4	2826	24180	2.5	714.31	52.0	11660	58	13040	63.1	14140				80	17990
		2400	4.2	2271	19430	3.1	569.97	52.8	11820	58	13040	63.4	14200				80	17990
		2400	5.5	1730	14800	4.1	435.5	53.4	11970	58	13040	63.6	14240				80	17990
		2400	6.4	1497	12810	4.7	376.26	53.7	12030	58	13040	63.7	14260				80	17990
		2400	1.9	5016	42920	1.1	1259.27	31.9	7990	46.5	10450	52.2	11800				60	13490
2400	2.2			4396	37610	1.2	1104.39	34.7	8510	46.5	10450	52.9	11940	60	13490			
2400	2.9			3267	27950	1.7	818.71	38.4	9230	46.5	10450	53.9	12150	60	13490			
2400	3.8			2536	21700	2.1	637.53	40.1	9570	46.5	10450	54.4	12260	60	13490			
2400	4.2			2269	19410	2.4	569.11	40.6	9670	46.5	10450	54.6	12300	60	13490			
2400	5.5			1729	14790	3.1	435.29	41.4	9830	46.5	10450	54.9	12360	60	13490			
2400	6.9			1389	11880	3.9	347.33	41.8	9910	46.5	10450	55.1	12390	60	13490			
2400	8.0			1194	10220	4.5	298.46	42.0	9950	46.5	10450	55.1	12410	60	13490			
2400	3.4	2784	24810	1.1	700.03	26.9	5550	32	7190	35.8	8130	40	8990	SK 5382 - 71 F2/8	116	255.7		
		2400	4.2	2270	20230	1.2	570.18	28.6	6000	32	7190	36.3	8250				40	8990
		2400	4.6	2088	18600	1.5	525.2	29.1	6140	32	7190	36.5	8290				40	8990
		2400	5.6	1703	15170	1.9	427.79	30.0	6370	32	7190	36.8	8360				40	8990
		2400	6.6	1439	12820	1.9	361.69	30.5	6500	32	7190	37.0	8410				40	8990
		2400	7.2	1319	11750	2.4	331.48	30.8	6550	32	7190	37.1	8430				40	8990
		2400	8.9	1076	9586	2.5	269.99	31.1	6640	32	7190	37.2	8460				40	8990
		2400	9.7	989	8815	3.2	248.7	31.2	6670	32	7190	37.2	8470				40	8990
		2400	12	807	7190	4.0	202.57	29.6	6690	32	7190	37.3	8480				40	8990
		2400	14	682	6075	4.1	171.27	28.2	6370	32	7190	37.4	8500				40	8990
2400	2.8	3427	29320	0.9	862.46	23.9	4960	32	7190	35	7990	40	8990	SK 5282/12 - 71 F2/8	107	235.9		
		2400	3.5	2742	23460	1.1	689.45	27.0	5700	32	7190	35.8	8170				40	8990
		2400	4.4	2187	18710	1.4	550.94	28.9	6130	32	7190	36.4	8290				40	8990
		2400	5.4	1783	15260	1.7	448.15	29.9	6370	32	7190	36.7	8360				40	8990
		2400	7.1	1346	11520	2.2	338.35	30.7	6560	32	7190	37.0	8430				40	8990
		2400	8.8	1085	9287	2.8	273.15	30.6	6650	32	7190	37.2	8460				40	8990
		2400	10	926	7920	3.2	232.66	29.3	6650	32	7190	37.3	8480				40	8990
		2400	14	694	5940	4.3	174.55	27.1	6150	32	7190	37.4	8500				40	8990

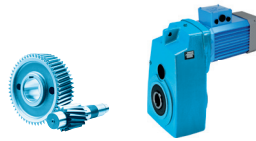


P_1		n_1	n_2	M_2		f_B	i_{tot}	F_R / F_A				F_{RVL} / F_{AVL}				Model type	 [kg] [lb]	
[kW]	[hp]							[Nm]	[lb-in]	F_R	[lb]	F_A	[kN]	[lb]	F_{RVL}			
1.00	1.35	2400	4.5	2120	18890	0.9	532.44	16.0	3730	22	4950	22.4	5220	30	6740	SK 4382 - 71 F2/8	76.0	167.6
		2400	5.4	1771	15780	0.9	445.23	17.1	4010	22	4950	22.9	5330	30	6740			
		2400	5.8	1642	14630	1.2	412.38	17.6	4110	22	4950	23.0	5370	30	6740			
		2400	6.1	1556	13870	1.3	390.76	17.8	4170	22	4950	23.1	5390	30	6740			
		2400	7.0	1372	12220	1.2	344.84	18.3	4280	22	4950	23.3	5440	30	6740			
		2400	7.3	1300	11590	1.5	326.81	18.5	4330	22	4950	23.4	5460	30	6740			
		2400	7.9	1205	10740	1.7	302.65	18.7	4390	22	4950	23.5	5480	30	6740			
		2400	8.8	1084	9660	1.4	272.54	19.0	4440	22	4950	23.6	5500	30	6740			
		2400	9.5	1007	8974	1.9	253.12	19.2	4490	22	4950	23.7	5510	30	6740			
		2400	9.5	1007	8974	1.9	253.12	19.2	4490	22	4950	23.7	5510	30	6740			
		2400	11	840	7482	1.9	211.09	19.5	4570	22	4950	23.8	5540	30	6740			
		2400	13	762	6790	2.6	191.57	19.7	4580	22	4950	23.8	5550	30	6740			
		2400	15	637	5673	2.6	160.20	19.1	4390	22	4950	23.9	5570	30	6740			
		2400	17	559	4985	3.6	140.60	18.6	4260	22	4950	23.9	5580	30	6740			
		2400	20	472	4202	4.2	118.38	17.8	4080	22	4950	24.0	5590	30	6740			
		2400	23	413	3682	4.8	103.82	17.2	3940	22	4950	24.0	5600	30	6740			
		2400	36	266	2367	4.5	66.65	15.2	3480	22	4950	24.1	5610	30	6740			
		2400	4.3	2220	18990	0.8	558.54	15.6	3720	22	4950	22.3	5220	30	6740			
2400	5.9			1630	13950	1.1	409.92	17.6	4160	22	4950	23.1	5390	30	6740			
2400	7.0			1358	11620	1.3	340.87	18.4	4330	22	4950	23.3	5450	30	6740			
2400	7.9			1202	10290	1.5	302.24	18.7	4420	22	4950	23.5	5490	30	6740			
2400	10			933	7987	1.9	234.38	19.4	4550	22	4950	23.7	5530	30	6740			
2400	14			705	6031	2.6	176.96	19.6	4530	22	4950	23.9	5570	30	6740			
2400	16			607	5192	3.0	152.47	19.0	4370	22	4950	23.9	5580	30	6740			
2400	19			507	4338	3.6	127.52	18.1	4170	22	4950	24.0	5590	30	6740			
2400	8.4	1142	10180	0.8	287.14	8.9	2000	14.5	3260	13.1	2970	20	4500	SK 3382 - 71 F2/8	54.0	119		
		2400	10	918	8182	1.1	230.83	9.9	2240	14.5	3260	13.6	3070				20	4500
		2400	13	759	6762	1.1	190.69	10.6	2380	14.5	3260	13.9	3130				20	4500
		2400	15	642	5721	1.2	161.46	11.0	2480	14.5	3260	14.0	3170				20	4500
		2400	19	505	4503	1.5	126.93	11.4	2580	14.5	3260	14.2	3210				20	4500
		2400	23	413	3684	1.8	104.05	11.1	2500	14.5	3260	14.3	3230				20	4500
		2400	27	356	3171	1.7	89.60	10.7	2420	14.5	3260	14.4	3240				20	4500
		2400	8.9	1076	9208	0.8	270.39	9.2	2120	14.5	3260	13.3	3020				20	4500
2400	11			865	7402	1.0	217.37	10.2	2330	14.5	3260	13.7	3110	20	4500			
2400	13			715	6118	1.3	179.57	10.7	2450	14.5	3260	13.9	3160	20	4500			
2400	17			563	4814	1.6	141.49	11.3	2560	14.5	3260	14.1	3200	20	4500			
2400	21			454	3881	2.0	114.23	11.4	2590	14.5	3260	14.3	3230	20	4500			
2400	27			349	2986	2.6	87.73	10.8	2450	14.5	3260	14.4	3250	20	4500			
2400	21			447	3979	1.7	112.23	11.4	2570	14.5	3260	14.3	3230	20	4500	SK 3282 - 71 F2/8	46.0	101.4
		2400	24	401	3575	2.0	100.88	11.1	2510	14.5	3260	14.3	3240	20	4500			
		2400	27	353	3146	2.7	88.74	10.8	2440	14.5	3260	14.4	3250	20	4500			
		2400	30	317	2827	2.7	79.76	10.6	2380	14.5	3260	14.4	3250	20	4500			
		2400	34	281	2500	2.0	70.56	10.2	2300	14.5	3260	14.4	3260	20	4500			
		2400	36	262	2337	2.9	65.89	10.1	2270	14.5	3260	14.4	3260	20	4500			
		2400	43	222	1977	2.9	55.79	9.6	2170	14.5	3260	14.5	3270	20	4500			
		2400	50	191	1702	2.9	48.04	9.2	2080	14.5	3260	14.5	3270	20	4500			

Parallel shaft gear units

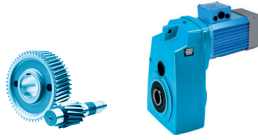
1.00 kW / 1.35 hp
1.50 kW / 2.00 hp


TEFC

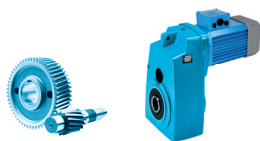


Parallel shaft gear units

P ₁		n ₁ [rpm]	n ₂ [rpm]	M ₂		f _B	i _{tot}	F _R / F _A				F _{RVL} / F _{AVL}				Model type	📦							
[kW]	[hp]			[Nm]	[lb-in]			F _R	F _A	F _{RVL}	F _{AVL}	[kN]	[lb]	[kN]	[lb]		[kN]	[lb]	[kg]	[lb]				
1.00	1.35	2400	16	597	5319	0.9	149.96	6.5	1650	12	2700	12.3	2730	15	3370	SK 2382 - 71 F2/8	38.0	83.8						
		2400	18	524	4668	1.0	131.86	8.0	1810	12	2700	12.7	2830	15	3370									
		2400	21	463	4127	1.1	116.35	8.6	1920	12	2700	12.8	2890	15	3370									
		2400	24	392	3488	1.4	98.35	9.1	2020	12	2700	13.0	2910	15	3370									
		2400	29	327	2917	1.7	82.22	9.2	2070	12	2700	13.1	2940	15	3370									
			2400	24	402	3580	1.1	100.98	9.0	2010	12	2700	13.0	2910	15	3370	SK 2282 - 71 F2/8	31.0	68.3					
			2400	29	328	2923	1.5	82.42	9.3	2090	12	2700	13.1	2940	15	3370								
			2400	34	277	2471	1.6	69.67	9.0	2010	12	2700	13.1	2950	15	3370								
			2400	38	254	2264	2.1	63.83	8.8	1980	12	2700	13.2	2960	15	3370								
			2400	44	215	1914	2.4	53.96	8.5	1900	12	2700	13.2	2970	15	3370								
			2400	53	180	1600	2.5	45.11	8.1	1810	12	2700	13.2	2980	15	3370								
			2400	65	148	1318	3.1	37.18	7.7	1730	12	2700	13.3	2990	15	3370								
			2400	81	118	1051	4.2	29.65	7.3	1630	12	2700	13.3	2990	15	3370								
			2400	90	107	951	4.1	26.83	7.1	1590	12	2700	13.3	3000	15	3370								
			2400	96	99.4	886	4.9	24.97	6.9	1560	12	2700	13.3	3000	15	3370								
			2400	100	95.4	850	4.6	23.96	6.9	1540	12	2700	13.3	3000	15	3370								
					2400	30	323	2878	0.9	81.17	3.8	830	7.2	1610	8.7	2050				7.2	1620	SK 1282 - 71 F2/8	20.0	44.1
					2400	33	287	2558	1.0	72.17	3.9	830	7.2	1610	8.9	2080				7.2	1620			
					2400	36	264	2349	1.0	66.23	3.8	820	7.2	1610	9	2100				7.2	1620			
					2400	41	234	2088	1.2	58.89	3.8	820	7.2	1610	9.2	2120				7.2	1620			
2400	43	220			1963	1.1	55.39	3.8	810	7.2	1610	9.2	2130	7.2	1620									
2400	49	196			1745	1.3	49.25	3.7	810	7.2	1610	9.3	2150	7.2	1620									
2400	52	184			1637	1.1	46.19	3.7	790	7.2	1610	9.4	2150	7.2	1620									
2400	58	163			1455	1.3	41.07	3.6	780	7.2	1610	9.4	2160	7.2	1620									
2400	75	128			1137	1.8	32.08	3.6	770	7.2	1610	9.5	2180	7.2	1620									
2400	85	113			1005	2.0	28.33	3.5	750	7.2	1610	9.6	2180	7.2	1620									
2400	95	100			895	2.2	25.22	3.4	730	7.1	1590	9.6	2190	7.2	1620									
2400	116	82			731	2.7	20.57	3.2	700	6.7	1510	9.6	2190	7.2	1620									
2400	139	68.5			610	3.3	17.21	3.1	670	6.4	1440	9.6	2180	7.2	1620									
2400	170	56.1			499	3.7	14.11	3.0	640	6.1	1370	9.5	2060	7.2	1620									
2400	204	46.7			416	4.4	11.76	2.8	610	5.8	1300	9.1	1960	7.2	1620									
2400	232	41.2	367	4.8	10.34	2.7	590	5.6	1260	8.8	1890	7.2	1620											
2400	293	32.5	290	4.9	8.21	2.6	550	5.2	1160	8.2	1770	7.2	1620											
1.50	2.00	2400	3.4	4176	36750	0.8	700.03	18.9	3050	32	7190	33.8	7490	40	8990	SK 5382 - 71 F3/8	117	257.9						
		2400	4.2	3406	29970	0.8	570.18	24.0	4860	32	7190	35.0	7960	40	8990									
		2400	4.6	3132	27560	1.0	525.20	25.4	5210	32	7190	35.4	8050	40	8990									
		2400	5.6	2554	22480	1.3	427.79	27.7	5800	32	7190	36.0	8200	40	8990									
		2400	6.6	2158	18990	1.3	361.69	28.9	6110	32	7190	36.4	8280	40	8990									
			2400	4.4	3280	28090	0.9	550.94	24.7	5140	32	7190	35.2	8030	40	8990	SK 5282/12 - 90 F1/8	111	244.7					
			2400	5.4	2675	22910	1.1	448.15	27.3	5760	32	7190	35.9	8190	40	8990								
			2400	7.1	2020	17300	1.5	338.35	29.3	6230	32	7190	36.5	8320	40	8990								
			2400	8.8	1628	13940	1.8	273.15	28.8	6440	32	7190	36.9	8390	40	8990								
			2400	10	1389	11890	2.2	232.66	27.8	6320	32	7190	37.0	8420	40	8990								
			2400	14	1041	8919	2.9	174.55	26.0	5900	32	7190	37.2	8470	40	8990								
			2400	17	849	7274	3.5	142.18	24.6	5580	32	7190	37.3	8480	40	8990								

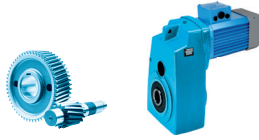



P_1		n_1	n_2	M_2		f_B	i_{tot}	F_R / F_A				F_{RVL} / F_{AVL}				Model type		
[kW]	[hp]	[rpm]		[Nm]	[lb-in]			F_R	F_A	F_R	F_A	F_{RVL}	F_{AVL}	F_{RVL}	F_{AVL}		[kg]	[lb]
1.50	2.00	2400	4.4	3280	28090	0.9	550.94	24.7	5140	32	7190	35.2	8030	40	8990	SK 5282/12 - 71 F3/8	108	238.1
		2400	5.4	2675	22910	1.1	448.15	27.3	5760	32	7190	35.9	8190	40	8990			
		2400	7.1	2020	17300	1.5	338.35	29.3	6230	32	7190	36.5	8320	40	8990			
		2400	8.8	1628	13940	1.8	273.15	28.8	6440	32	7190	36.9	8390	40	8990			
		2400	10	1389	11890	2.2	232.66	27.8	6320	32	7190	37.0	8420	40	8990			
		2400	14	1041	8919	2.9	174.55	26.0	5900	32	7190	37.2	8470	40	8990			
		2400	17	849	7274	3.5	142.18	24.6	5580	32	7190	37.3	8480	40	8990			
2400	5.8	2400	5.8	2463	21670	0.8	412.38	13.7	3450	22	4950	21.9	5110	30	6740	SK 4382 - 71 F3/8	77.0	169.8
		2400	6.1	2334	20540	0.9	390.76	14.8	3570	22	4950	22.1	5160	30	6740			
		2400	7.0	2058	18110	0.8	344.84	16.2	3800	22	4950	22.5	5250	30	6740			
		2400	7.3	1951	17170	1.0	326.81	16.6	3890	22	4950	22.7	5290	30	6740			
		2400	7.9	1808	15910	1.1	302.65	17.0	4000	22	4950	22.8	5330	30	6740			
		2400	8.8	1626	14310	1.0	272.54	17.5	4110	22	4950	23.1	5380	30	6740			
		2400	9.5	1511	13300	1.3	253.12	17.9	4200	22	4950	23.2	5410	30	6740			
		2400	9.5	1511	13300	1.3	253.12	17.9	4200	22	4950	23.2	5410	30	6740			
		2400	11	1260	11090	1.3	211.09	18.4	4240	22	4950	23.4	5470	30	6740			
		2400	7.0	2400	7.0	2037	17440	0.9	340.87	16.3	3870	22	4950	22.5	5280			
2400	7.9			1803	15440	1.0	302.24	17.1	4040	22	4950	22.8	5350	30	6740			
2400	10			1400	11990	1.3	234.38	18.2	4300	22	4950	23.3	5450	30	6740			
2400	14			1057	9055	1.7	176.96	18.2	4200	22	4950	23.6	5510	30	6740			
2400	16			910	7795	2.0	152.47	17.7	4080	22	4950	23.7	5540	30	6740			
2400	19			761	6513	2.4	127.52	17.0	3930	22	4950	23.8	5560	30	6740			
2400	7.0	2400	7.0	2037	17440	0.9	340.87	16.3	3870	22	4950	22.5	5280	30	6740	SK 4282/12 - 71 F3/8	72.0	158.7
		2400	7.9	1803	15440	1.0	302.24	17.1	4040	22	4950	22.8	5350	30	6740			
		2400	10	1400	11990	1.3	234.38	18.2	4300	22	4950	23.3	5450	30	6740			
		2400	14	1057	9055	1.7	176.96	18.2	4200	22	4950	23.6	5510	30	6740			
		2400	16	910	7795	2.0	152.47	17.7	4080	22	4950	23.7	5540	30	6740			
		2400	19	761	6513	2.4	127.52	17.0	3930	22	4950	23.8	5560	30	6740			
2400	19	2400	19	758	6671	1	126.93	10.3	2320	14.5	3260	13.9	3140	20	4500	SK 3382 - 90 F1/8	58.0	127.9
		2400	23	620	5458	1.2	104.05	10	2270	14.5	3260	14.1	3180	20	4500			
		2400	27	534	4698	1.2	89.60	9.8	2210	14.5	3260	14.2	3200	20	4500			
2400	13	2400	13	1138	10020	0.8	190.69	8.9	2010	14.5	3260	13.1	2980	20	4500	SK 3382 - 71 F3/8	55.0	121.3
		2400	15	963	8476	0.8	161.46	9.7	2200	14.5	3260	13.5	3060	20	4500			
		2400	19	758	6671	1.0	126.93	10.3	2320	14.5	3260	13.9	3140	20	4500			
		2400	23	620	5458	1.2	104.05	10	2270	14.5	3260	14.1	3180	20	4500			
		2400	27	534	4698	1.2	89.60	9.8	2210	14.5	3260	14.2	3200	20	4500			
2400	13	2400	13	1073	9185	0.8	179.57	9.2	2120	14.5	3260	13.3	3020	20	4500	SK 3282/12 - 90 F1/8	60.0	132.3
		2400	17	844	7228	1.1	141.49	10.3	2340	14.5	3260	13.7	3110	20	4500			
		2400	21	680	5827	1.3	114.23	10.3	2340	14.5	3260	14.0	3170	20	4500			
		2400	27	523	4483	1.7	87.73	9.9	2260	14.5	3260	14.2	3210	20	4500			



Parallel shaft gear units

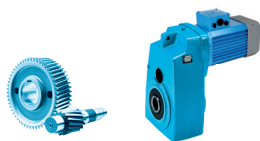
P ₁		n ₁	n ₂	M ₂		f _B	i _{tot}	F _R / F _A				F _{RVL} / F _{AVL}				Model type		
								F _R	F _A	F _{RVL}	F _{AVL}	F _R	F _A	F _{RVL}	F _{AVL}			
[kW]	[hp]	[rpm]		[Nm]	[lb-in]			[kN]	[lb]	[kN]	[lb]	[kN]	[lb]	[kN]	[lb]		[kg]	[lb]
1.50	2.00	2400	13	1073	9185	0.8	179.57	9.2	2120	14.5	3260	13.3	3020	20	4500	SK 3282/12 - 71 F3/8	57.0	125.7
		2400	17	844	7228	1.1	141.49	10.3	2340	14.5	3260	13.7	3110	20	4500			
		2400	21	680	5827	1.3	114.23	10.3	2340	14.5	3260	14.0	3170	20	4500			
		2400	27	523	4483	1.7	87.73	9.9	2260	14.5	3260	14.2	3210	20	4500			
		2400	21	670	5894	1.1	112.23	10.3	2330	14.5	3260	14.0	3170	20	4500	SK 3282 - 71 F3/8	47.0	103.6
		2400	24	602	5297	1.3	100.88	10.1	2290	14.5	3260	14.1	3190	20	4500			
		2400	27	530	4661	1.8	88.74	10	2250	14.5	3260	14.2	3210	20	4500			
		2400	30	476	4188	1.8	79.76	9.8	2210	14.5	3260	14.2	3220	20	4500			
		2400	34	421	3704	1.3	70.56	9.5	2140	14.5	3260	14.3	3230	20	4500			
		2400	36	393	3462	1.9	65.89	9.4	2120	14.5	3260	14.3	3240	20	4500			
		2400	43	333	2929	1.9	55.79	9.1	2040	14.5	3260	14.4	3250	20	4500			
		2400	50	286	2521	1.9	48.04	8.7	1970	14.5	3260	14.4	3260	20	4500			
		2400	24	587	5168	1.0	98.35	6.8	1690	12	2700	12.3	2760	15	3370	SK 2382 - 90 F1/8	42.0	92.6
		2400	29	491	4322	1.1	82.22	8.3	1870	12	2700	12.8	2880	15	3370			
		2400	24	587	5168	1.0	98.35	6.8	1690	12	2700	12.3	2760	15	3370	SK 2382 - 71 F3/8	39.0	86.0
		2400	29	491	4322	1.1	82.22	8.3	1870	12	2700	12.8	2880	15	3370			
		2400	29	492	4330	1.0	82.42	8.4	1880	12	2700	12.8	2880	15	3370	SK 2282 - 71 F3/8	32.0	70.5
		2400	34	416	3661	1.1	69.67	8.2	1840	12	2700	12.9	2910	15	3370			
		2400	38	381	3354	1.4	63.83	8.1	1820	12	2700	13.0	2920	15	3370			
		2400	44	322	2835	1.6	53.96	7.8	1770	12	2700	13.1	2940	15	3370			
		2400	53	269	2371	1.7	45.11	7.6	1700	12	2700	13.1	2950	15	3370			
		2400	95	151	1326	1.5	25.22	3.1	660	6.5	1460	9.5	2170	7.2	1620			
		2400	116	123	1082	1.8	20.57	3.0	640	6.2	1400	9.5	2180	7.2	1620	SK 1282 - 90 F1/8	24.0	52.9
		2400	139	103	904	2.2	17.21	2.9	620	6	1350	9.6	2130	7.2	1620			
		2400	170	84.1	740	2.5	14.11	2.8	600	5.8	1300	9.4	2020	7.2	1620			
		2400	204	70.1	617	2.9	11.76	2.7	570	5.5	1240	8.9	1930	7.2	1620			
		2400	232	61.7	543	3.2	10.34	2.6	560	5.4	1200	8.6	1860	7.2	1620			
		2400	262	54.7	481	3.5	9.18	2.5	540	5.1	1150	8.3	1800	7.2	1620			
		2400	292	49.1	432	3.9	8.24	2.4	530	4.8	1090	8.1	1750	7.2	1620			
		2400	293	48.8	430	3.3	8.21	2.5	530	4.9	1100	8.1	1750	7.2	1620			
		2400	331	43.3	381	4.3	7.24	2.4	510	4.6	1040	7.8	1690	7.2	1620			
		2400	374	38.3	337	4.7	6.43	2.3	490	4.4	990	7.6	1630	7.2	1620			
		2400	502	28.5	251	4.5	4.79	2.1	460	3.9	880	7.0	1500	7.2	1620			
		2400	41	352	3094	0.8	58.89	3.0	650	6.7	1520	8.5	2020	7.2	1620	SK 1282 - 71 F3/8	21.0	46.3
		2400	49	294	2585	0.9	49.25	3.1	660	6.7	1520	8.9	2080	7.2	1620			
		2400	58	245	2155	0.9	41.07	3.0	660	6.6	1490	9.1	2120	7.2	1620			
		2400	75	191	1684	1.2	32.08	3.1	680	6.7	1500	9.3	2150	7.2	1620			
		2400	85	169	1489	1.3	28.33	3.1	670	6.6	1480	9.4	2160	7.2	1620			
		2400	95	151	1326	1.5	25.22	3.1	660	6.5	1460	9.5	2170	7.2	1620			
		2400	116	123	1082	1.8	20.57	3.0	640	6.2	1400	9.5	2180	7.2	1620			
		2400	139	103	904	2.2	17.21	2.9	620	6	1350	9.6	2130	7.2	1620			




P_1		n_1 n_2		M_2		f_B	i_{tot}	F_R / F_A				F_{RVL} / F_{AVL}				Model type			
[kW]	[hp]	[rpm]	[rpm]	[Nm]	[lb-in]			F_R	F_A	F_R	F_A	F_{RVL}	F_{AVL}	[kN]	[lb]	[kN]	[lb]	[kg]	[lb]
1.50	2.00	2400	170	84.1	740	2.5	14.11	2.8	600	5.8	1300	9.4	2020	7.2	1620	SK 1282 - 71 F3/8	21.0	46.3	
		2400	204	70.1	617	2.9	11.76	2.7	570	5.5	1240	8.9	1930	7.2	1620				
		2400	232	61.7	543	3.2	10.34	2.6	560	5.4	1200	8.6	1860	7.2	1620				
		2400	262	54.7	481	3.5	9.18	2.5	540	5.1	1150	8.3	1800	7.2	1620				
		2400	292	49.1	432	3.9	8.24	2.4	530	4.8	1090	8.1	1750	7.2	1620				
		2400	293	48.8	430	3.3	8.21	2.5	530	4.9	1100	8.1	1750	7.2	1620				
		2400	331	43.3	381	4.3	7.24	2.4	510	4.6	1040	7.8	1690	7.2	1620				
		2400	374	38.3	337	4.7	6.43	2.3	490	4.4	990	7.6	1630	7.2	1620				
		2400	502	28.5	251	4.5	4.79	2.1	460	3.9	880	7.0	1500	7.2	1620				
2.20	3.00	2400	5.6	3746	33720	0.9	427.79	22	4200	32	7190	34.5	7820	40	8990	SK 5382 - 71 F4/8	120	264.6	
		2400	6.6	3166	28490	0.9	361.69	25.2	5080	32	7190	35.3	8010	40	8990				
		2400	5.4	3923	34680	0.8	448.15	20.8	3990	32	7190	34.2	7730	40	8990	SK 5282/12 - 90 F2/8	111.8	246.5	
		2400	7.1	2962	26180	1.0	338.35	26.1	5390	32	7190	35.6	8090	40	8990				
		2400	8.8	2388	21110	1.3	273.15	26.3	5930	32	7190	36.2	8230	40	8990				
		2400	10	2037	18000	1.5	232.66	25.6	5800	32	7190	36.5	8310	40	8990				
		2400	14	1527	13500	2.0	174.55	24.4	5510	32	7190	36.9	8400	40	8990				
		2400	17	1246	11010	2.4	142.18	23.2	5260	32	7190	37.1	8440	40	8990				
		2400	5.4	3923	34680	0.8	448.15	20.8	3990	32	7190	34.2	7730	40	8990	SK 5282/12 - 71 F4/8	111	244.7	
		2400	7.1	2962	26180	1.0	338.35	26.1	5390	32	7190	35.6	8090	40	8990				
		2400	8.8	2388	21110	1.3	273.15	26.3	5930	32	7190	36.2	8230	40	8990				
		2400	10	2037	18000	1.5	232.66	25.6	5800	32	7190	36.5	8310	40	8990				
		2400	14	1527	13500	2.0	174.55	24.4	5510	32	7190	36.9	8400	40	8990				
		2400	17	1246	11010	2.4	142.18	23.2	5260	32	7190	37.1	8440	40	8990				
		2400	7.9	2652	23870	0.8	302.65	10.3	3190	22	4950	21.5	5000	30	6740	SK 4382 - 71 F4/8	80.0	176.4	
		2400	9.5	2216	19940	0.9	253.12	15.6	3620	22	4950	22.3	5180	30	6740				
		2400	9.5	2216	19940	0.9	253.12	15.6	3620	22	4950	22.3	5180	30	6740				
		2400	11	1847	16630	0.9	211.09	15.9	3610	22	4950	22.8	5300	30	6740				
		2400	10	2054	18150	0.9	234.38	16.2	3720	22	4950	22.5	5250	30	6740	SK 4282/12 - 90 F2/8	75.8	167.1	
		2400	14	1551	13710	1.2	176.96	16.1	3690	22	4950	23.1	5400	30	6740				
		2400	16	1335	11800	1.3	152.47	15.9	3650	22	4950	23.4	5450	30	6740				
		2400	19	1115	9860	1.6	127.52	15.5	3560	22	4950	23.6	5500	30	6740				
		2400	10	2054	18150	0.9	234.38	16.2	3720	22	4950	22.5	5250	30	6740	SK 4282/12 - 71 F4/8	75.0	165.3	
		2400	14	1551	13710	1.2	176.96	16.1	3690	22	4950	23.1	5400	30	6740				
		2400	16	1335	11800	1.3	152.47	15.9	3650	22	4950	23.4	5450	30	6740				
		2400	19	1115	9860	1.6	127.52	15.5	3560	22	4950	23.6	5500	30	6740				
		2400	27	777	6991	1.2	88.74	8.7	1960	14.5	3260	13.8	3120	20	4500	SK 3282 - 71 F4/8	50.0	110.2	
		2400	30	698	6282	1.2	79.76	8.7	1940	14.5	3260	14	3150	20	4500				
		2400	36	577	5192	1.3	65.89	8.5	1900	14.5	3260	14.1	3190	20	4500				
		2400	43	488	4393	1.3	55.79	8.2	1850	14.5	3260	14.2	3210	20	4500				
		2400	50	420	3782	1.3	48.04	8.0	1800	14.5	3260	14.3	3230	20	4500				

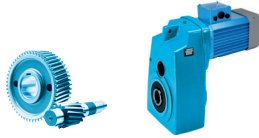
2.20 kW / 3.00 hp
3.00 kW / 4.00 hp

TEFC



Parallel shaft gear units

P ₁		n ₁	n ₂	M ₂		f _B	i _{tot}	F _R / F _A				F _{RVL} / F _{AVL}				Model type	 [kg] [lb]						
								F _R	[lb]	F _A	[lb]	F _{RVL}	[lb]	F _{AVL}	[lb]								
[kW]	[hp]	[rpm]	[rpm]	[Nm]	[lb-in]			[kN]	[lb]	[kN]	[lb]	[kN]	[lb]	[kN]	[lb]								
2.20	3.00	2400	38	559	5031	0.9	63.83	7.1	1580	12	2700	12.5	2780	15	3370	SK 2282 - 71 F4/8	35.0	77.2					
		2400	44	473	4253	1.1	53.96	7.0	1560	12	2700	12.8	2880	15	3370								
		2400	53	395	3556	1.1	45.11	6.8	1520	12	2700	13.0	2910	15	3370								
	2400	95	221	1989	1.0	25.22	2.6	550	5.6	1260	9.2	2130	7.2	1620	SK 1282 - 90 F2/8	24.8	54.7						
			180	1623	1.2	20.57	2.6	550	5.5	1240	9.4	2140	7.2	1620									
			151	1356	1.5	17.21	2.5	550	5.4	1210	9.5	2060	7.2	1620									
			123	1110	1.7	14.11	2.5	540	5.3	1180	9.1	1960	7.2	1620									
			103	925	2.0	11.76	2.4	520	5.1	1140	8.7	1880	7.2	1620									
			90.6	815	2.2	10.34	2.4	510	4.9	1090	8.4	1820	7.2	1620									
			80.2	722	2.4	9.18	2.3	500	4.7	1050	8.2	1760	7.2	1620									
			72.0	648	2.7	8.24	2.3	490	4.5	1000	7.9	1710	7.2	1620									
			71.6	644	2.2	8.21	2.3	500	4.6	1020	8.0	1720	7.2	1620									
			63.4	571	2.9	7.24	2.2	480	4.3	960	7.7	1650	7.2	1620									
			56.2	506	3.2	6.43	2.2	460	4.1	920	7.4	1600	7.2	1620									
			47.9	431	3.6	5.47	2.1	450	3.9	870	7.1	1540	7.2	1620									
			41.8	376	3.1	4.79	2.0	440	3.7	830	6.9	1480	7.2	1620									
			2400	75	281	2527	0.8	32.08	2.5	540	5.6	1250	9.0	2080				7.2	1620	SK 1282 - 71 F4/8	24.0	52.9	
					248	2233	0.9	28.33	2.6	550	5.6	1260	9.1	2110				7.2	1620				
					221	1989	1.0	25.22	2.6	550	5.6	1260	9.2	2130				7.2	1620				
					180	1623	1.2	20.57	2.6	550	5.5	1240	9.4	2140				7.2	1620				
151	1356	1.5			17.21	2.5	550	5.4	1210	9.5	2060	7.2	1620										
123	1110	1.7			14.11	2.5	540	5.3	1180	9.1	1960	7.2	1620										
103	925	2.0			11.76	2.4	520	5.1	1140	8.7	1880	7.2	1620										
90.6	815	2.2			10.34	2.4	510	4.9	1090	8.4	1820	7.2	1620										
80.2	722	2.4			9.18	2.3	500	4.7	1050	8.2	1760	7.2	1620										
72.0	648	2.7			8.24	2.3	490	4.5	1000	7.9	1710	7.2	1620										
71.6	644	2.2			8.21	2.3	500	4.6	1020	8.0	1720	7.2	1620										
63.4	571	2.9			7.24	2.2	480	4.3	960	7.7	1650	7.2	1620										
56.2	506	3.2			6.43	2.2	460	4.1	920	7.4	1600	7.2	1620										
47.9	431	3.6			5.47	2.1	450	3.9	870	7.1	1540	7.2	1620										
41.8	376	3.1			4.79	2.0	440	3.7	830	6.9	1480	7.2	1620										
3.00	4.00	2400			8.8	3256	28270	0.9	273.15	23.4	5110	32	7190	35.2	8020	40	8990	SK 5282/12 - 90 F3/8	114.8				253.1
		2400			10	2777	24110	1.1	232.66	23.2	5290	32	7190	35.8	8150	40	8990						
		2400			14	2083	18080	1.4	174.55	22.5	5130	32	7190	36.5	8310	40	8990						
		2400			17	1699	14750	1.8	142.18	21.7	4930	32	7190	36.8	8370	40	8990						
	2400	14			2115	18360	0.9	176.96	13.7	3190	22	4950	22.4	5240	30	6740	SK 4282/12 - 90 F3/8	78.8	173.7				
			1820	15800	1.0	152.47	13.9	3210	22	4950	22.8	5330	30	6740									
			1521	13210	1.2	127.52	13.8	3190	22	4950	23.2	5410	30	6740									
	2400	116	246	2165	0.9	20.57	2.1	460	4.8	1070	9.1	2060	7.2	1620	SK 1282 - 90 F3/8	27.8	61.3						
			206	1809	1.1	17.21	2.2	470	4.8	1070	9.2	1990	7.2	1620									
			168	1480	1.2	14.11	2.2	480	4.7	1060	8.8	1910	7.2	1620									
			140	1234	1.5	11.76	2.2	470	4.5	1000	8.5	1830	7.2	1620									
			123	1087	1.6	10.34	2.1	460	4.3	980	8.2	1770	7.2	1620									



TEFC

3.00 kW / 4.00 hp
3.70 kW / 5.00 hp

P_1		n_1	n_2	M_2		f_B	i_{tot}	F_R / F_A				F_{RVL} / F_{AVL}				Model type	📦		
[kW]	[hp]			[rpm]	[Nm]			[lb-in]	F_R	F_A	F_{RVL}	F_{AVL}	[kN]	[lb]	[kN]		[lb]	[kg]	[lb]
3.00	4.00	2400	262	109	962	1.7	9.18	2.1	460	4.2	950	8.0	1720	7.2	1620	SK 1282 - 90 F3/8	27.8	61.3	
		2400	292	98.2	864	1.9	8.24	2.1	450	4.0	910	7.7	1670	7.2	1620				
		2400	293	97.6	859	1.6	8.21	2.1	460	4.2	940	7.8	1680	7.2	1620				
		2400	331	86.5	761	2.2	7.24	2.0	440	3.9	880	7.5	1620	7.2	1620				
		2400	374	76.6	674	2.4	6.43	2.0	430	3.8	850	7.3	1570	7.2	1620				
		2400	439	65.3	575	2.6	5.47	2.0	420	3.6	820	7.0	1510	7.2	1620				
		2400	502	57.0	502	2.2	4.79	1.9	410	3.5	790	6.8	1460	7.2	1620				
3.70	5.00	2400	10	3425	30220	0.9	232.66	21.1	4770	32	7190	35.0	7960	40	8990	SK 5282/12 - 90 F4/8	116.6	257.1	
		2400	14	2569	22670	1.2	174.55	20.9	4740	32	7190	36.0	8190	40	8990				
		2400	17	2095	18490	1.4	142.18	20.3	4600	32	7190	36.5	8300	40	8990				
			2400	139	253	2261	0.9	17.21	1.8	400	4.0	900	8.9	1920	7.2	1620	SK 1282 - 90 F4/8	29.6	65.3
			2400	170	207	1850	1.0	14.11	1.9	410	4.1	910	8.6	1850	7.2	1620			
			2400	204	173	1542	1.2	11.76	1.9	410	3.9	880	8.2	1780	7.2	1620			
			2400	232	152	1358	1.3	10.34	1.9	420	3.9	870	8.0	1730	7.2	1620			
			2400	262	135	1203	1.4	9.18	1.9	420	3.8	860	7.8	1680	7.2	1620			
			2400	292	121	1081	1.6	8.24	1.9	410	3.7	820	7.6	1640	7.2	1620			
			2400	293	120	1074	1.3	8.21	2.0	420	3.8	860	7.6	1650	7.2	1620			
			2400	331	107	952	1.8	7.24	1.9	410	3.6	800	7.4	1590	7.2	1620			
			2400	374	94.5	843	1.9	6.43	1.9	400	3.5	790	7.2	1550	7.2	1620			
			2400	439	80.6	719	2.1	5.47	1.8	400	3.4	760	6.9	1490	7.2	1620			
			2400	502	70.4	627	1.8	4.79	1.8	390	3.3	740	6.7	1440	7.2	1620			

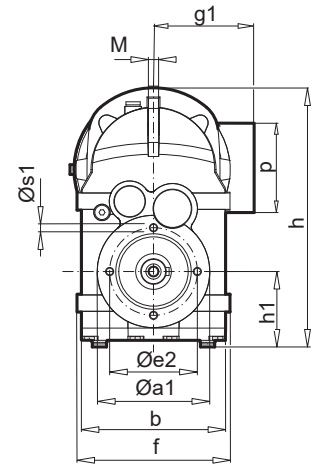
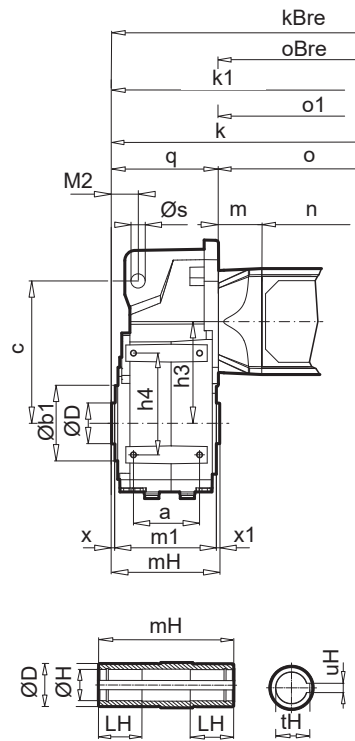
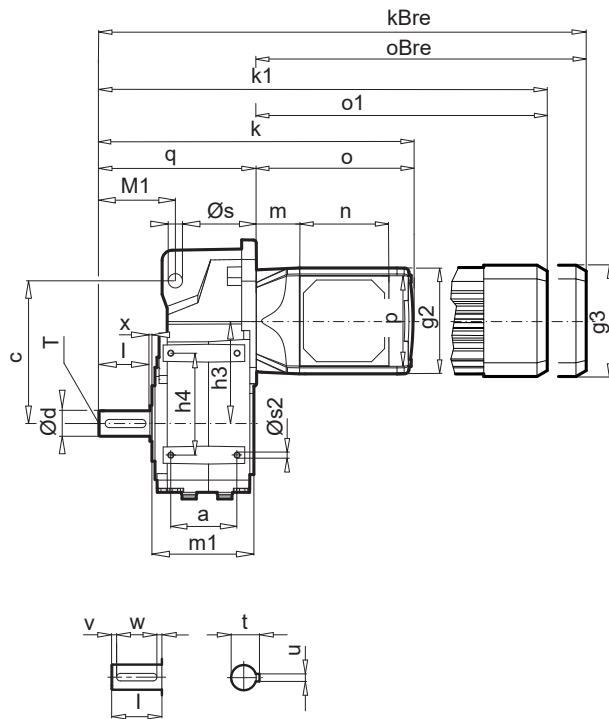
Parallel shaft gear units

SK 0182.1



VXZ

AXZ



Type	$\varnothing d^{*6}$	l	t	u	v	w
SK 0182.1VXZ	25	50	28	8	5	40

Type	$\varnothing b_1$	$\varnothing D$	$\varnothing H^{*7}$	mH	LH	tH	uH
SK 0182.1AXZ	70	40	25	104	30	28.3	8

Type	$\varnothing a_1$	$\varnothing e_2$	b	f	h	h1	$\varnothing s_1$
SK 0182.1..Z	110	86	141	150	254	74	M8x15

Type	a	c	m1	h3	h4	M1	M2	n	p	$\varnothing s$	$\varnothing s_2$	T	x	x1
SK 0182.1..Z	65	140	100	100	100	75	25	105	105	14	M8x16	M10	6	2

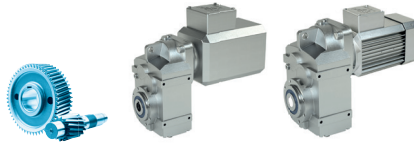
NORDBLOC.1®
Parallel shaft gear units

Type	q	71 N1, N2, N3 /8						90 N1, N2, N3 /8							
		m	k	o	kBRE	oBRE	g1	g2	m	k	o	kBRE	oBRE	g1	g2
SK 0182.1VXZ	154	60.6	349	195	394	240	122	125	78.5	418	264	473	318	137	155
SK 0182.1AXZ	104	60.6	299	195	344	240	122	125	78.5	368	264	423	318	137	155

Type	q	71 F1, F2, F3, F4 ¹⁾ /8						90 F1, F2, F3 ¹⁾ , F4 ¹⁾ /8							
		m	k1	o1	kBRE	oBRE	g1	g3	m	k1	o1	kBRE	oBRE	g1	g3
SK 0182.1VXZ	154	60.5	406	251	442	288	122	132	78.5	454	300	507	353	137	162
SK 0182.1AXZ	104	60.5	356	251	392	288	122	132	78.5	404	300	457	353	137	162

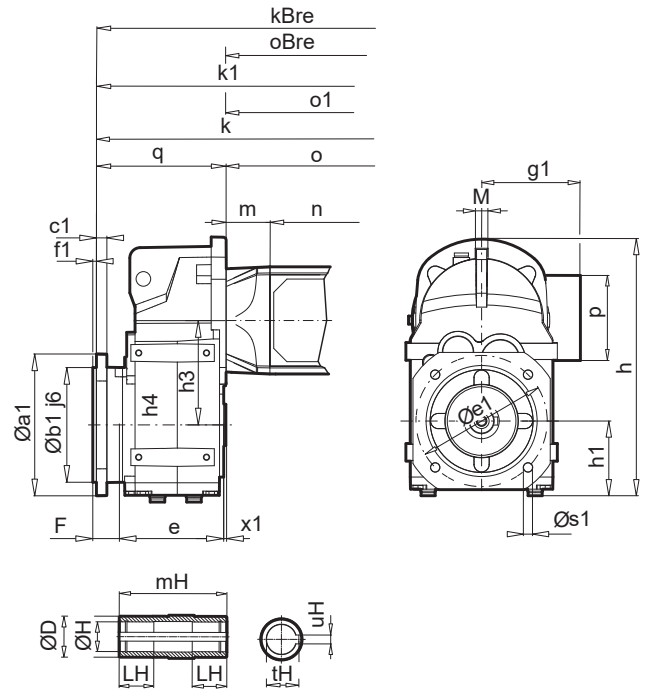
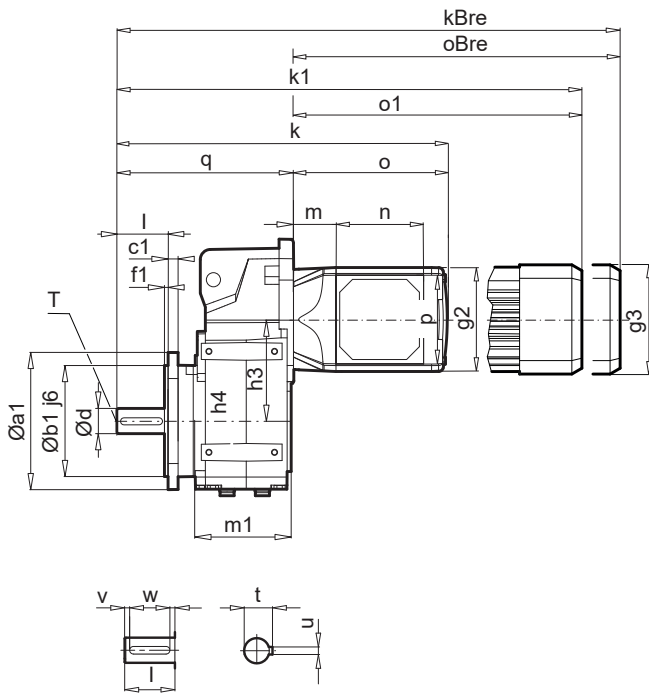
1) 71 F4/8 + 27 mm, 90 F3/8, F4/8 + 40 mm

All specifications in mm, unless marked otherwise.



VXF

AXF



Type	Ød ^{k6}	l	t	u	v	w
SK 0182.1VXF	25	50	28	8	5	40

Type	ØD	ØH ⁷	mH	LH	tH	uH
SK 0182.1AXF	40	25	104	30	28.3	8

Type	Øe1	h	h1	Øs1
SK 0182.1..F	130	254	74	4 x 9

Type	Øa1	Øb1	c1	f1	e	F	m1	h3	M	n	p	T	x1
SK 0182.1..F	160	110	10	3.5	102	20	97	100	10	105	105	M10	2

Type	q	71 N1, N2, N3 /8						90 N1, N2, N3 /8							
		m	k	o	kBRE	oBRE	g1	g2	m	k	o	kBRE	oBRE	g1	g2
SK 0182.1 VXF	174	60.6	369	195	414	240	122	125	78.5	439	264	494	318	137	155
SK 0182.1 AXF	124	60.6	320	195	365	240	122	125	78.5	389	264	444	318	137	155

Type	q	71 F1, F2, F3, F4 ¹⁾ /8						90 F1, F2, F3 ¹⁾ , F4 ¹⁾ /8							
		m	k1	o1	kBRE	oBRE	g1	g3	m	k1	o1	kBRE	oBRE	g1	g3
SK 0182.1VXF	174	60.5	426	251	463	288	122	132	78.5	475	300	528	353	137	162
SK 0182.1AXF	124	60.5	376	251	413	288	122	132	78.5	425	300	478	353	137	162

All specifications in mm, unless marked otherwise.

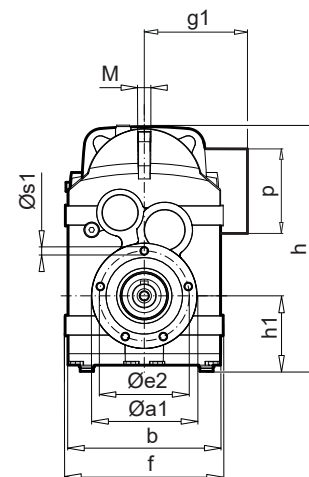
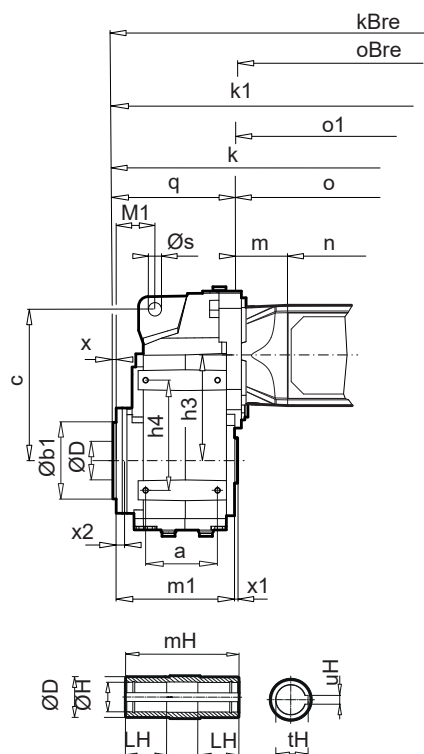
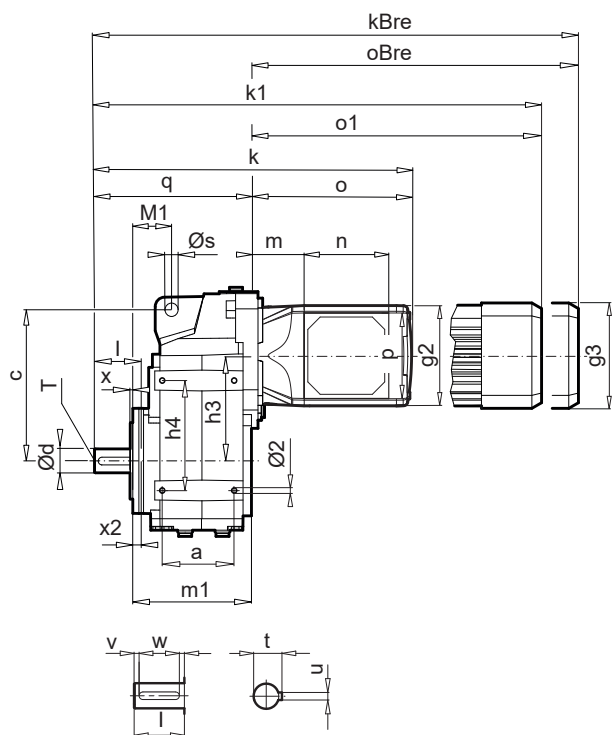
1) 71 F4/8 + 27 mm. 90 F3/8, F4/8 + 40 mm

SK 0282.1



VXZ

AXZ



Type	$\varnothing d^{k6}$	l	t	u	v	w
SK 0282.1VXZ	25	50	28	8	5	40

Type	$\varnothing b1$	$\varnothing D$	$\varnothing H^{17}$	mH	LH	tH	uH
SK 0282.1AXZ	80	45	25	120	40	28.3	8

Type	$\varnothing a1$	$\varnothing e2$	b	f	h	h1	$\varnothing s1$
SK 0282.1..Z	110	94	160	165	256	79	M8x16

Type	a	c	m1	h3	h4	M	M1	n	p	$\varnothing s$	$\varnothing s2$	T	x	x1	x2
SK 0282.1..Z	77	158	127	114	115	12	40.5	105	105	14	M8x16	M10	3	2	9

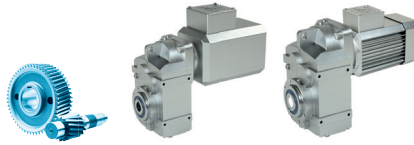
NORDBLOC.1®
Parallel shaft gear units

Type	71 N1, N2, N3 /8								90 N1, N2, N3 /8						
	q	m	k	o	kBRE	oBRE	g1	g2	m	k	o	kBRE	oBRE	g1	g2
SK 0282.1VXZ	168	60.6	363	195	408	240	122	125	78.5	432	264	487	318	137	155
SK 0282.1AXZ	130	60.6	325	195	370	240	122	125	78.5	394	264	449	318	137	155

Type	71 F1, F2, F3, F4 ¹⁾ /8								90 F1, F2, F3 ¹⁾ , F4 ¹⁾ /8						
	q	m	k1	o1	kBRE	oBRE	g1	g3	m	k1	o1	kBRE	oBRE	g1	g3
SK 0282.1VXZ	168	60.5	419	251	456	288	122	132	78.5	468	300	521	353	137	162
SK 0282.1AXZ	130	60.5	381	251	418	288	122	132	78.5	430	300	483	353	137	162

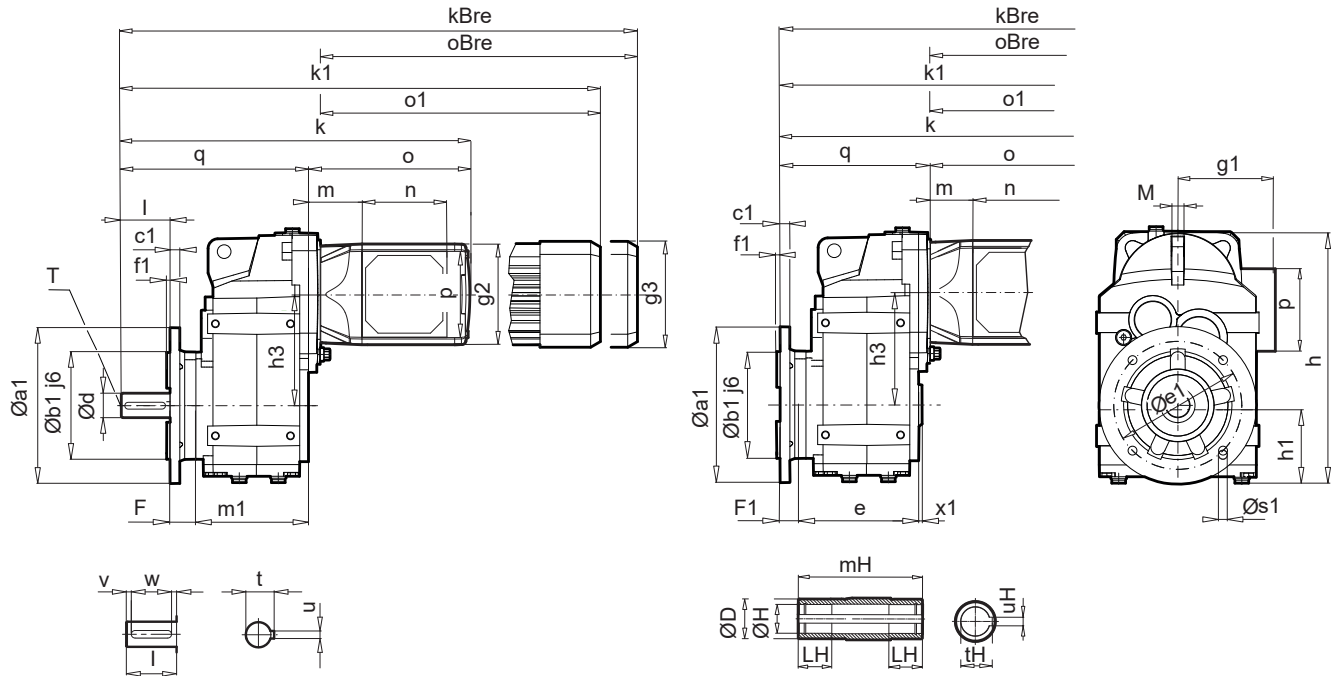
1) 71 F4/8 + 27 mm, 90 F3/8, F4/8 + 40 mm

All specifications in mm, unless marked otherwise.



VXF

AXF



Type	Ød ^{k6}	l	t	u	v	w
SK 0282.1VXF	25	50	28	8	5	40

Type	ØD	ØH ^{m7}	mH	LH	tH	uH
SK 0282.1AXF	45	25	120	40	28.3	8

Type	Øe1	h	h1	Øs1
SK 0282.1..F	130	256	79	4 x 9

Type	Øa1	Øb1	c1	f1	e	F	F1	m1	h3	M	n	p	T	x1
SK 0282.1..F	160	110	10	3.5	116	26.5	24	116	114	12	105	105	M10	2

Type	q	71 N1, N2, N3 /8							90 N1, N2, N3 /8						
		m	k	o	kBRE	oBRE	g1	g2	m	k	o	kBRE	oBRE	g1	g2
SK 0282.1 VXF	192	60.6	387	195	432	240	122	125	78.5	456	264	511	318	137	155
SK 0282.1 AXF	142	60.6	337	195	382	240	122	125	78.5	394	264	449	318	137	155

Type	q	71 F1, F2, F3, F4 ¹⁾ /8							90 F1, F2, F3 ¹⁾ , F4 ¹⁾ /8						
		m	k1	o1	kBRE	oBRE	g1	g3	m	k1	o1	kBRE	oBRE	g1	g3
SK 0282.1VXF	192	60.5	443	251	480	288	122	132	78.5	492	300	545	353	137	162
SK 0282.1AXF	142	60.5	394	251	431	288	122	132	78.5	443	300	496	353	137	162

All specifications in mm, unless marked otherwise.

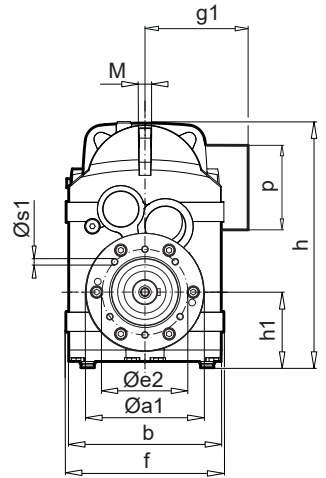
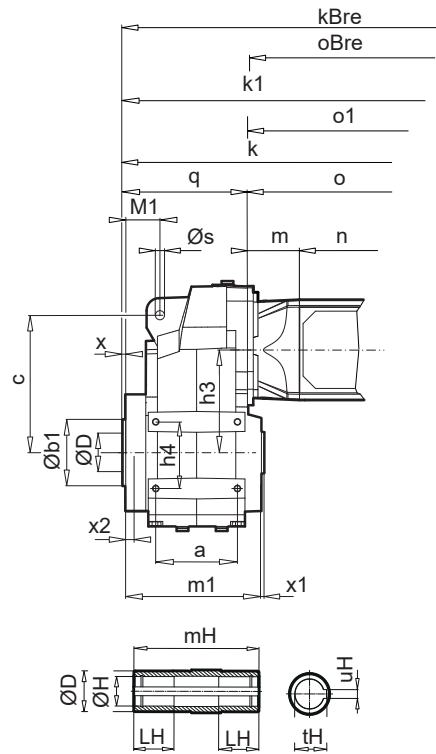
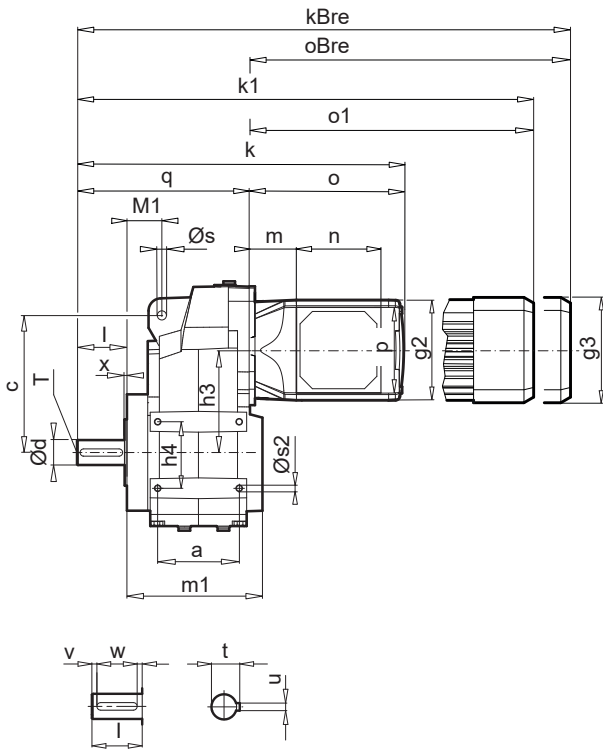
1) 71 F4/8 + 27 mm . 90 F3/8, F4/8 + 40 mm

SK 1282.1 SK 1382.1



VXZ

AXZ



Type	Ød ^{k6}	l	t	u	v	w
SK 1282.1VXZ	30	60	33	8	5	50
SK 1382.1VXZ	30	60	33	8	5	50

Type	Øb1	ØD	ØH ^{H7}	mH	LH	tH	uH
SK 1282.1AXZ	80	50	30	158	40	33.3	8
SK 1382.1AXZ	80	50	30	158	40	33.3	8

Type	Øa1	Øe2	b	f	h	h1	Øs1
SK 1282.1..Z	141	102	168	173	294	94	M8x13
SK 1382.1..Z	141	102	168	173	294	94	M8x13

Type	a	c	m1	h3	h4	M	M1	n	p	Øs	Øs2	T	x	x1	x2
SK 1282.1..Z	98	165	163	137	80	14	42	105	105	11	M10x18	M10	3	3	8
SK 1382.1..Z	98	165	163	137	80	14	42	105	105	11	M10x18	M10	3	3	8

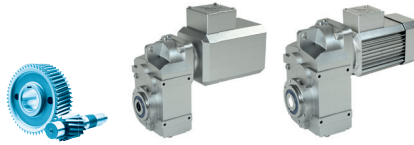
NORDBLOC.1®
Parallel shaft gear units

Type	q	71 N1, N2, N3 /8							90 N1, N2, N3 /8						
		m	k	o	kBRE	oBRE	g1	g2	m	k	o	kBRE	oBRE	g1	g2
SK 1282.1VXZ	207	60.6	402	195	447	240	122	125	78.5	471	264	526	318	137	155
SK 1382.1VXZ	207	60.6	402	195	447	240	122	125	78.5	471	264	526	318	137	155
SK 1282.1AXZ	150								78.5	414	264	469	318	137	155
SK 1382.1AXZ	150								78.5	414	264	469	318	137	155

Type	q	71 F1, F2, F3, F4 ¹⁾ /8							90 F1, F2, F3 ¹⁾ , F4 ¹⁾ /8						
		m	k1	o1	kBRE	oBRE	g1	g3	m	k1	o1	kBRE	oBRE	g1	g3
SK 1282.1VXZ	207	60.5	458	251	495	288	122	132	78.5	507	300	560	353	137	162
SK 1382.1VXZ	207	60.5	458	251	495	288	122	132	78.5	507	300	560	353	137	162
SK 1282.1AXZ	150	60.5	401	251	438	288	122	132	78.5	450	300	503	353	137	162
SK 1382.1AXZ	150	60.5	401	251	438	288	122	132	78.5	450	300	503	353	137	162

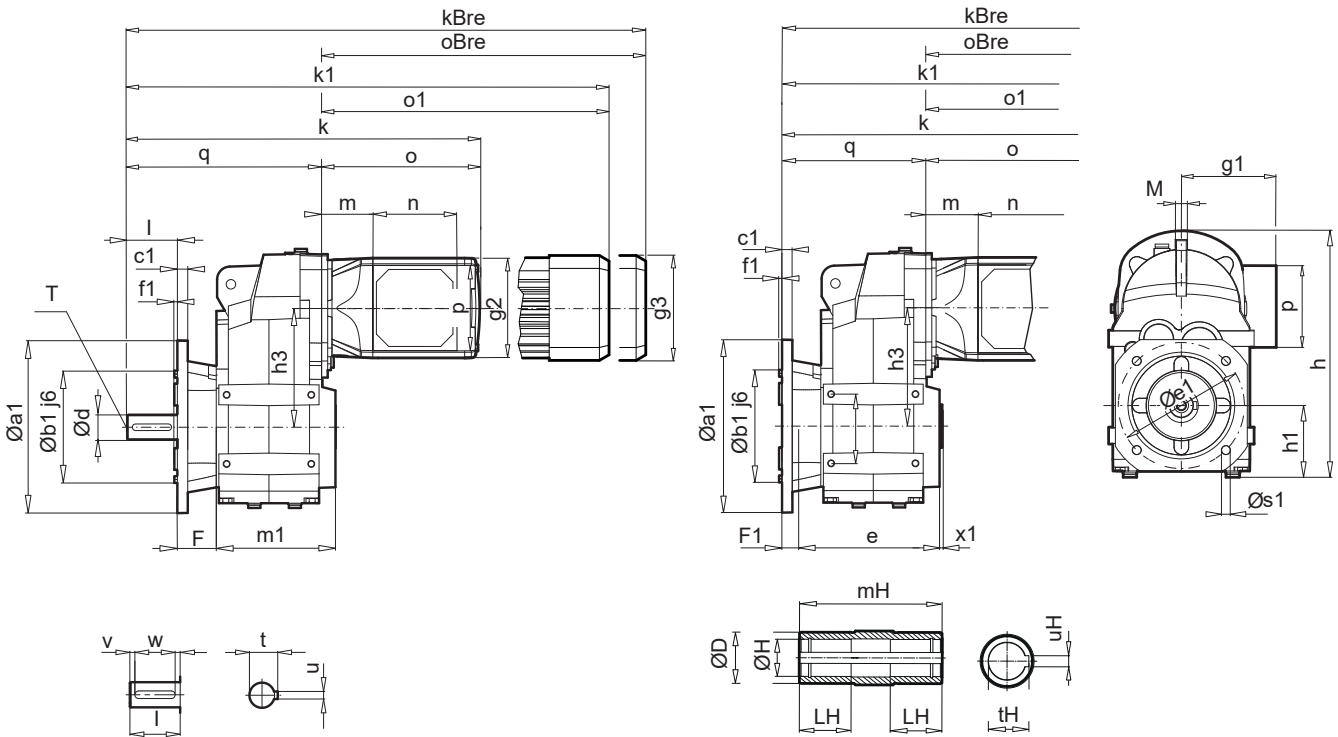
1) 71 F4/8 + 27 mm, 90 F3/8, F4/8 + 40 mm

All specifications in mm, unless marked otherwise.



VXF

AXF



Type	Ød ^{k6}	l	t	u	v	w
SK 1282.1VXF	30	60	33	8	5	50
SK 1382.1VXF	30	60	33	8	5	50

Type	ØD	ØH ^{H7}	mH	LH	tH	uH
SK 1282.1AXF	50	30	158	40	33.3	8
SK 1382.1AXF	50	30	158	40	33.3	8

Type	Øe1	h	h1	Øs1
SK 1282.1..F	165	294	94	4 x 11
SK 1382.1..F	165	294	94	4 x 11

Type	Øa1	Øb1	c1	f1	e	F	F1	m1	h3	M	n	p	T	x1
SK 1282.1..F	200	130	12	3.5	138	45	25	138	137	14	105	105	M10	3
SK 1382.1..F	200	130	12	3.5	138	45	25	138	137	14	105	105	M10	3

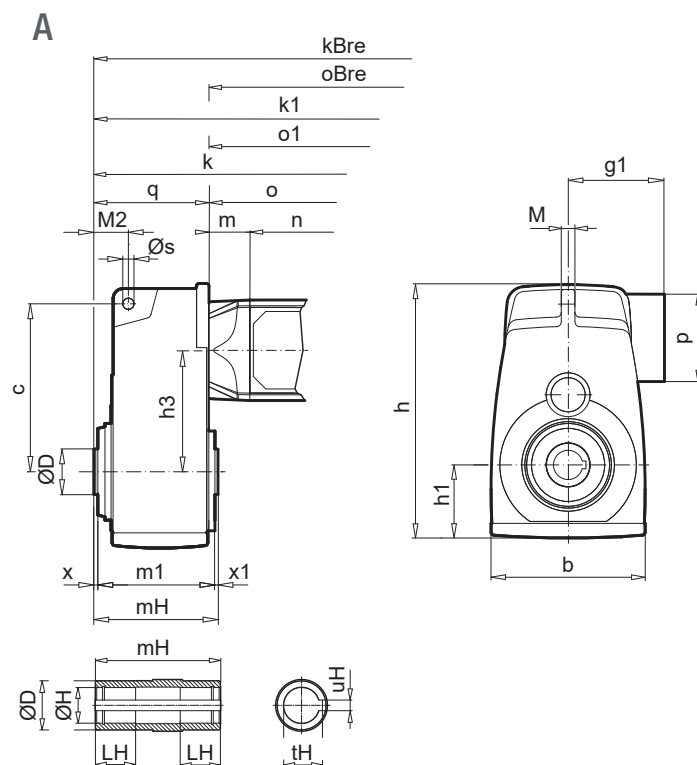
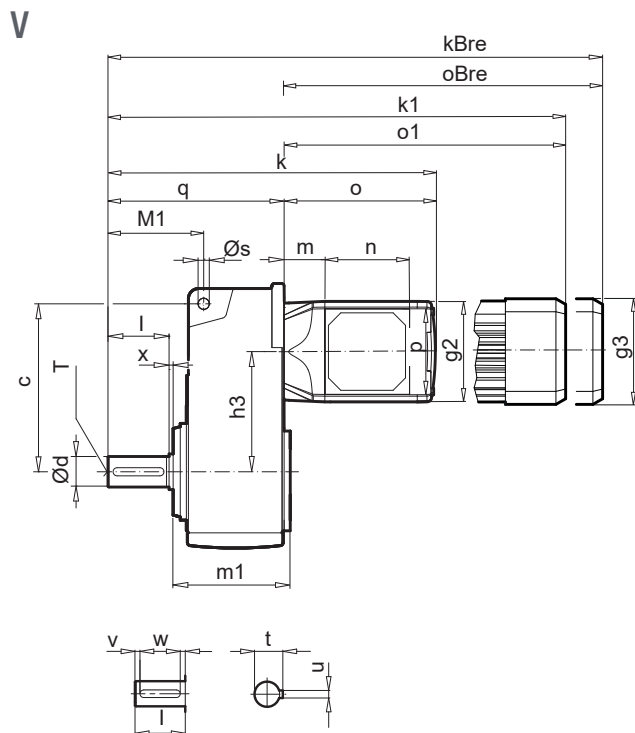
Type	q	71 N1, N2, N3 /8						90 N1, N2, N3 /8						
		m	k	o	kBRE	oBRE	g1	g2	m	k	o	kBRE	oBRE	g1
SK 1282.1VXF	227							78.5	491	264	546	318	137	155
SK 1382.1VXF	227							78.5	491	264	546	318	137	155
SK 1282.1AXF	167							78.5	432	264	487	318	137	155
SK 1382.1AXF	167							78.5	432	264	487	318	137	155

Type	q	71 F1, F2, F3, F4 ¹⁾ /8						90 F1, F2, F3 ¹⁾ , F4 ¹⁾ /8							
		m	k1	o1	kBRE	oBRE	g1	g3	m	k1	o1	kBRE	oBRE	g1	g3
SK 1282.1VXF	227	60.5	478	251	515	288	122	132	78.5	527	300	580	353	137	162
SK 1382.1VXF	227	60.5	478	251	515	288	122	132	78.5	527	300	580	353	137	162
SK 1282.1AXF	167	60.5	419	251	456	288	122	132	78.5	468	300	521	353	137	162
SK 1382.1AXF	167	60.5	419	251	456	288	122	132	78.5	468	300	521	353	137	162

All specifications in mm, unless marked otherwise.

1) 71 F4/8 + 27 mm, 90 F3/8, F4/8 + 40 mm

SK 1282
SK 2282
SK 3282



Type	Ød ^{k6}	l	t	u	v	w
SK 1282 V	30	60	33	8	5	50
SK 2282 V	35	70	38	10	5	60
SK 3282 V	45	90	48.5	14	5	80

Type	ØD	ØH ^{H7}	mH	LH	tH	uH
SK 1282 A	45	30	122	40	33.3	8
SK 2282 A	50	35	139	50	38.3	10
SK 3282 A	55	40	174	58	43.3	12

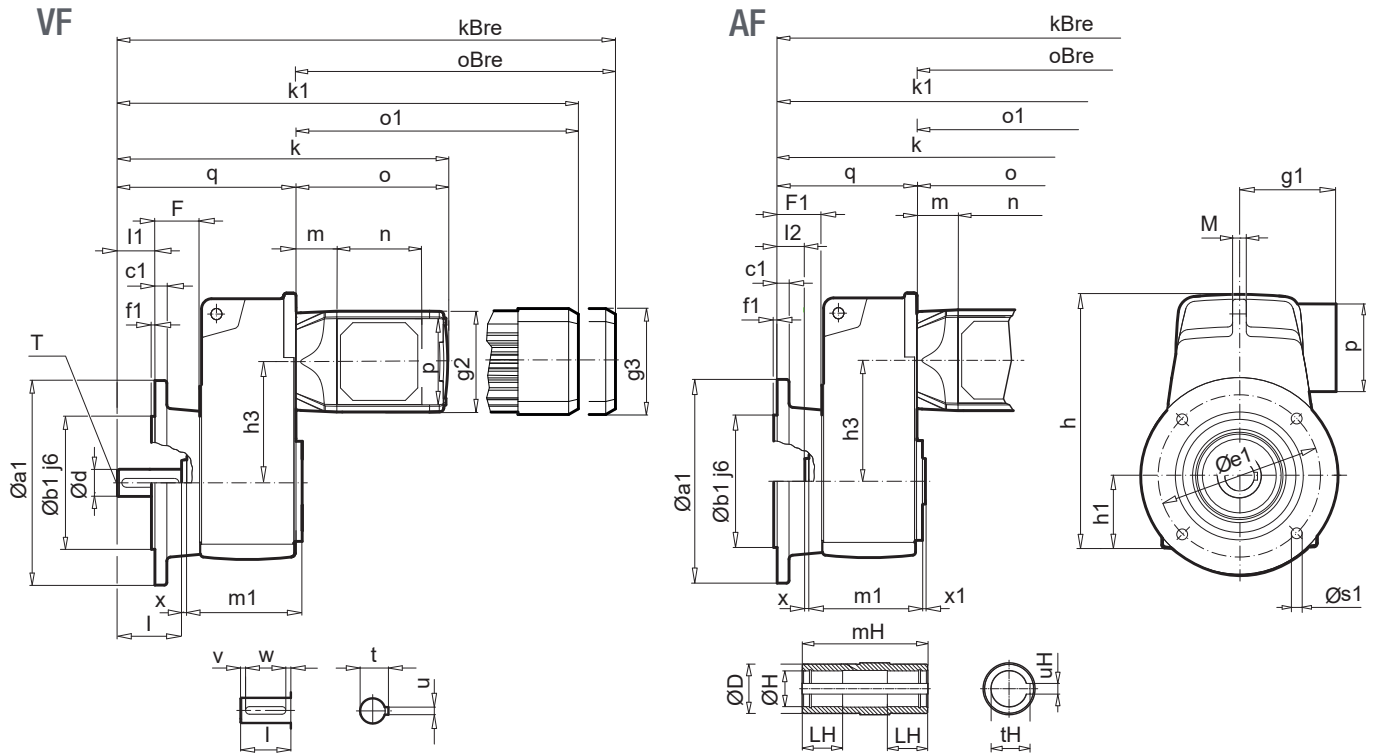
Type	b	c	h	h1	h3	m1	M	M1	M2	n	p	Øs	T	x	x1
SK 1282 V/A	157	165	260	75	122	115	14	94	34	105	105	11	M10	4	3
SK 2282 V/A	191	211	327	90	147	126	16	108	38	105	105	14	M12	5	8
SK 3282 V/A	226	250	384	106	178	162	18	129	39	105	105	14	M16	6	6

Type	71 N1, N2, N3 /8								90 N1, N2, N3 /8							
	q	m	k	o	kBRE	oBRE	g1	g2	m	k	o	kBRE	oBRE	g1	g2	
SK 1282 V	173	60.6	368	195	413	240	122	125	78.5	437	264	492	318	137	155	
SK 2282 V	201	55	390	189	435	234	122	125								
SK 3282 V	241	55	430	189	475	234	122	125								
SK 1282 A	113	60.6	308	195	353	240	122	125	78.5	377	264	432	318	137	155	
SK 2282 A	131	55	320	189	365	234	122	125								
SK 3282 A	151	55	340	189	385	234	122	125								

Type	71 F1, F2, F3, F4 ¹⁾ /8								90 F1, F2, F3 ¹⁾ , F4 ¹⁾ /8							
	q	m	k1	o1	kBRE	oBRE	g1	g3	m	k1	o1	kBRE	oBRE	g1	g3	
SK 1282 V	173	60.5	424	251	461	288	122	132	78.5	473	300	526	353	137	162	
SK 2282 V	201	55	447	246	483	282	122	132								
SK 3282 V	241	55	487	246	523	282	122	132								
SK 1282 A	113	60.5	364	251	401	288	122	132	78.5	413	300	526	353	137	162	
SK 2282 A	131	55	377	246	413	282	122	132								
SK 3282 A	151	55	397	246	433	282	122	132								

1) 71 F4/8 + 27 mm, 90 F3/8, F4/8 + 40 mm

All specifications in mm, unless marked otherwise.



Type	Ød ^{k6}	l	l1	t	u	v	w
SK 1282 VF	30	60	32	33	8	5	50
SK 2282 VF	35	70	35	38	10	5	60
SK 3282 VF	45	90	50	48.5	14	5	80

Type	Øa1	Øb1	c1	Øe1	f1	Øs1
SK 1282VF/AF	200	130	12	165	2.5	4 x 11.0
SK 2282VF/AF	250	180	16	215	4	4 x 13.5
SK 3282VF/AF	250	180	15	215	4	4 x 13.5
SK 3282VF/AF	300	230	20	265	4	4 x 13.5

Type	ØD	ØH ^{F7}	l2	mH	LH	tH	uH
SK 1282 AF	45	30	28	122	40	33.3	8
SK 2282 AF	50	35	35	139	50	38.3	10
SK 3282 AF	55	40	40	174	58	43.3	12

Type	F	F1	h	h1	h3	m1	M	n	p	T	x	x1
SK 1282 VF/AF	45	45	260	76	122	115	14	105	105	M10	4	3
SK 2282 VF/AF	52	52	337	90	147	126	16	105	105	M12	5	8
SK 3282 VF/AF	53	53	387	106	178	162	18	105	105	M16	6	6

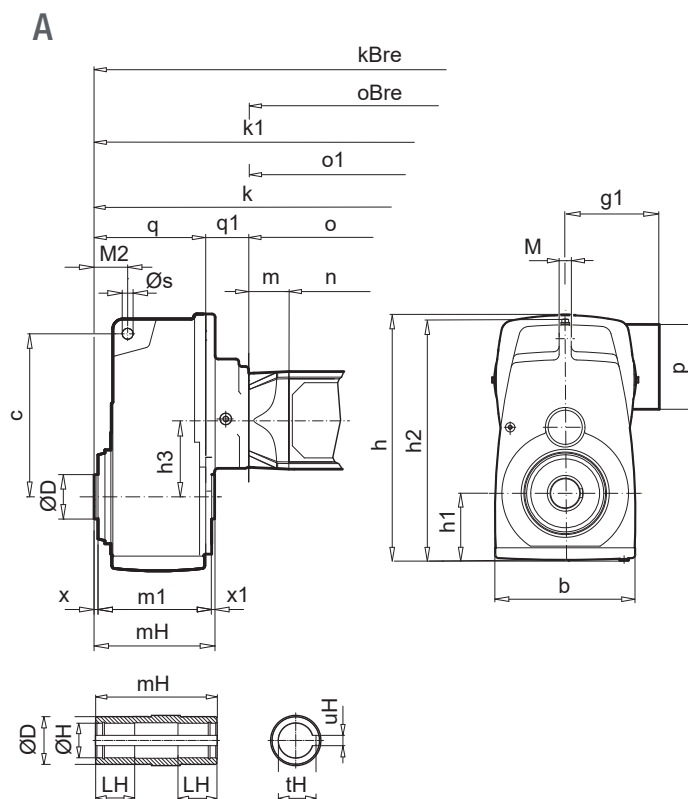
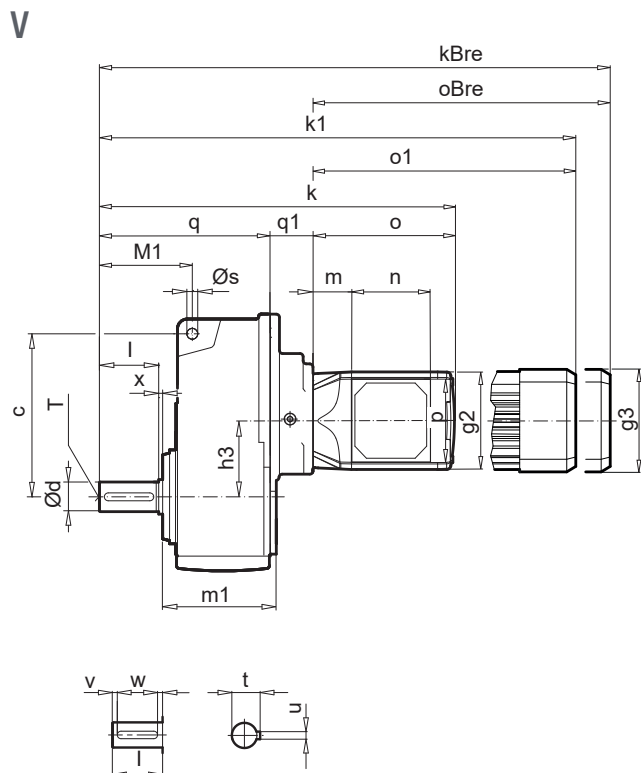
		71 N1, N2, N3 /8							90 N1, N2, N3 /8						
Type	q	m	k	o	kBRE	oBRE	g1	g2	m	k	o	kBRE	oBRE	g1	g2
SK 1282 VF	173	60.6	368	195	413	240	122	125	78.5	437	264	492	318	137	155
SK 2282 VF	201	55	390	189	435	234	122	125							
SK 3282 VF	241	55	430	189	475	234	122	125							
SK 1282 AF	141	60.6	336	195	381	240	122	125	78.5	406	264	461	318	137	155
SK 2282 AF	166	55	355	189	400	234	122	125							
SK 3282 AF	191	55	380	189	425	234	122	125							

		71 F1, F2, F3, F4 ¹⁾ /8							90 F1, F2, F3 ¹⁾ , F4 ¹⁾ /8						
Type	q	m	k1	o1	kBRE	oBRE	g1	g3	m	k1	o1	kBRE	oBRE	g1	g3
SK 1282 VF	173	60.5	424	251	461	288	122	132	78.5	473	300	526	353	137	162
SK 2282 VF	201	55	447	246	480	282	122	132							
SK 3282 VF	241	55	487	246	523	282	122	132							
SK 1282 AF	113	60.5	393	251	430	288	122	132	78.5	442	300	495	353	137	162
SK 2282 AF	131	55	412	246	448	282	122	132							
SK 3282 AF	151	55	437	246	473	282	122	132							

All specifications in mm, unless marked otherwise.

1) 71 F4/8 + 27 mm, 90 F3/8, F4/8 + 40 mm

SK 2382 SK 3382



Type	Ød ^{k6}	l	t	u	v	w
SK 2382V	35	70	38.0	10	5	60
SK 3382V	45	90	48.5	14	5	80

Type	ØD	ØH ^{H7}	mH	LH	tH	uH
SK 2382A	50	35	139	50	38.3	10
SK 3382A	55	40	174	58	43.3	12

Type	b	c	h	h1	h2	h3	m1	M	M1	M2	n	p	Øs	T	x	x1
SK 2382V/A	191	211	337	90	327	104.5	126	16	108	38	105	105	14	M12	5	8
SK 3382V/A	126	250	387	106	384	128	162	18	129	39	105	105	14	M16	6	6

Parallel shaft gear units

Type	71 N1, N2, N3 /8								90 N1, N2, N3 /8							
	q	q1	m	k	o	kBRE	oBRE	g1	g2	m	k	o	kBRE	oBRE	g1	g2
SK 2382V	201	60	60.6	456	195	501	240	122	125	78.5	525	264	580	318	137	155
SK 3382V	241	60	60.6	496	195	541	240	122	125	78.5	565	264	620	318	137	155
SK 2382A	131	60	60.6	386	195	431	240	122	125	78.5	455	264	510	318	137	155
SK 3382A	151	60	60.6	406	195	451	240	122	125	78.5	475	264	530	318	137	155

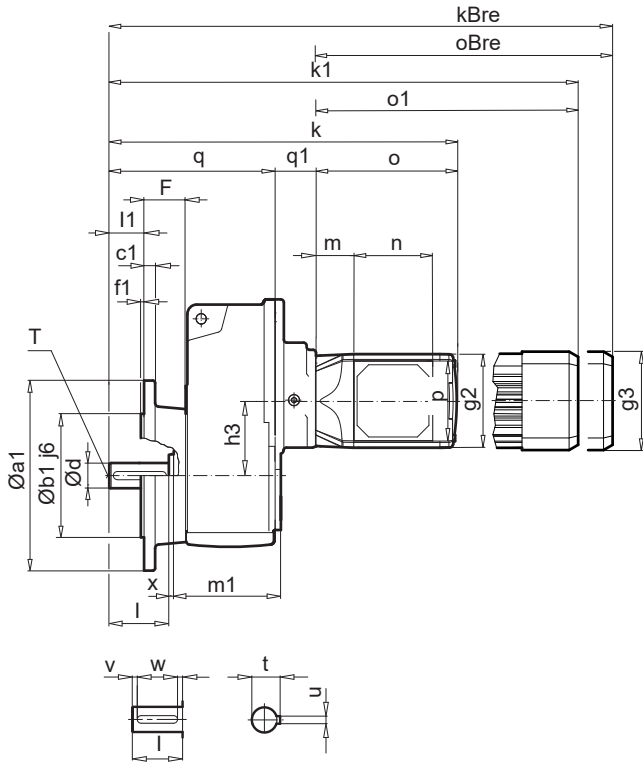
Type	71 F1, F2, F3, F4 ¹⁾ /8								90 F1, F2, F3 ¹⁾ , F4 ¹⁾ /8							
	q	q1	m	k1	o1	kBRE	oBRE	g1	g3	m	k1	o1	kBRE	oBRE	g1	g3
SK 2382V	201	60	60.5	512	251	549	288	122	132	78.5	561	300	614	353	137	162
SK 3382V	241	60	60.5	552	251	589	288	122	132	78.5	601	300	654	353	137	162
SK 2382A	131	60	60.5	442	251	479	288	122	132	78.5	491	300	544	353	137	162
SK 3382A	151	60	60.5	462	251	499	288	122	132	78.5	511	300	564	353	137	162

1) 71 F4/8 + 27 mm , 90 F3/8, F4/8 + 40 mm

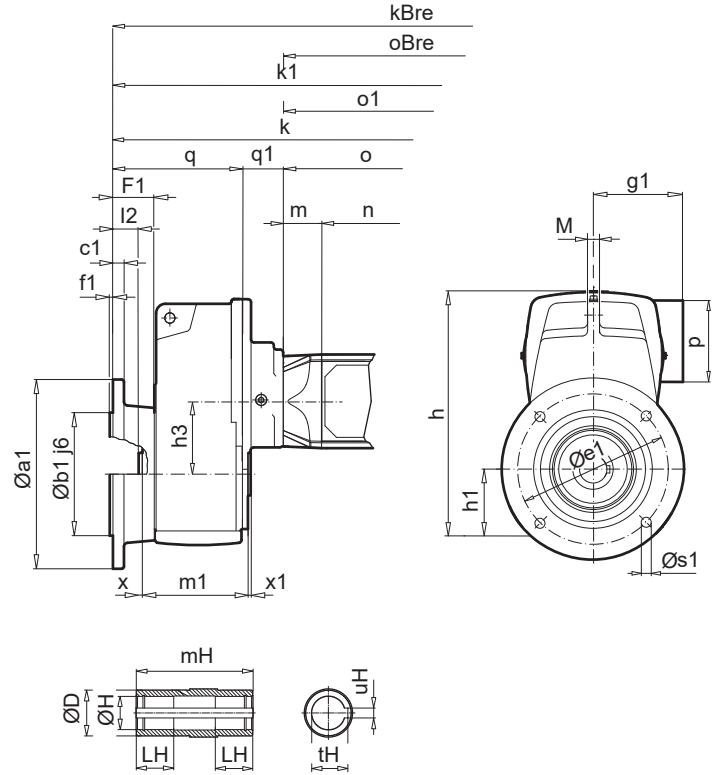
All specifications in mm, unless marked otherwise.



VF



AF



Type	Ød ^{k6}	l	l1	t	u	v	w
SK 2382VF	35	70	35	38.0	10	5	60
SK 3382VF	45	90	50	48.5	14	5	80

Type	Øa1	Øb1	c1	Øe1	f1	Øs1
SK 2382VF/AF	250	180	16	215	4	4 x 13.5
SK 3382VF/AF	250	230	15	215	4	4 x 13.5
SK 3382VF/AF	300	230	20	265	4	4 x 13.5

Type	ØD	ØH ¹⁷	l2	mH	LH	tH	uH
SK 2382AF	50	35	35	139	50	38.3	10
SK 3382AF	55	40	40	174	58	43.3	12

Type	F	F1	m1	h	h1	h3	M	n	p	T	x	x1
SK 2382VF/AF	52	52	126	337	90	104.5	16	105	105	M12	5	8
SK 3382VF/AF	53	53	162	387	106	128	18	105	105	M16	6	6

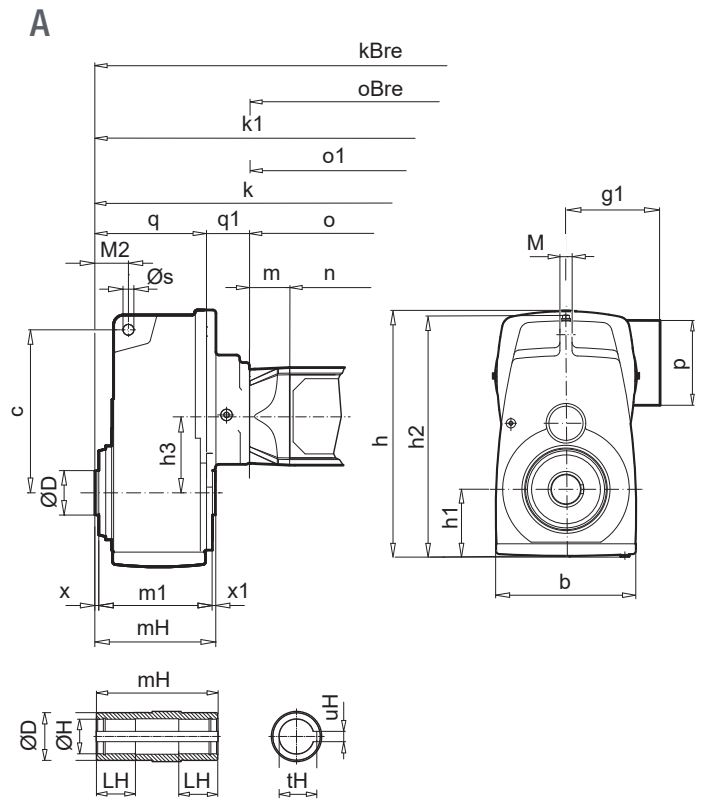
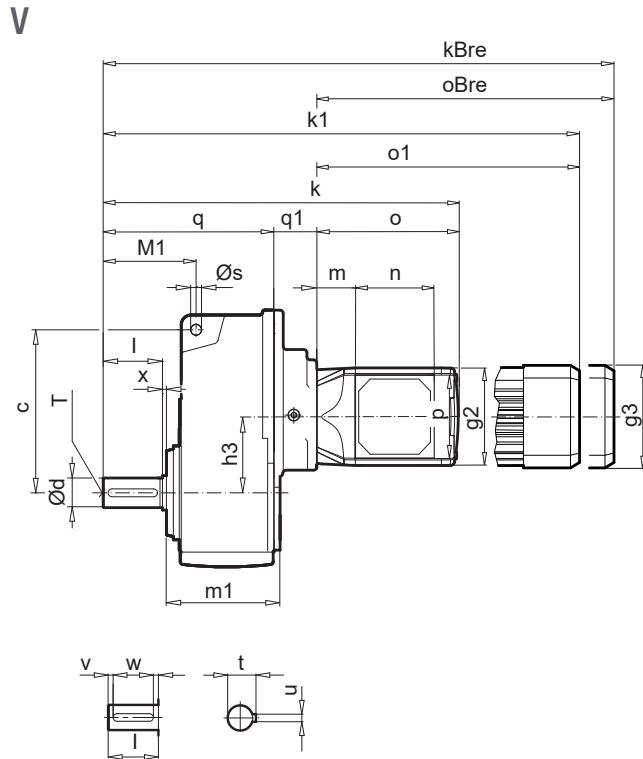
Type	71 N1, N2, N3 /8										90 N1, N2, N3 /8					
	q	q1	m	k	o	kBRE	oBRE	g1	g2	m	k	o	kBRE	oBRE	g1	g2
SK 2382VF	201	60	60.6	456	195	501	240	122	125	78.5	525	264	580	318	137	155
SK 3382VF	241	60	60.6	516	195	541	240	122	125	78.5	565	264	620	318	137	155
SK 2382AF	166	60	60.6	421	195	466	240	122	125	78.5	490	264	545	318	137	155
SK 3382AF	191	60	60.6	446	195	491	240	122	125	78.5	515	264	570	318	137	155

Type	71 F1, F2, F3, F4 ¹⁾ /8										90 F1, F2, F3 ¹⁾ , F4 ¹⁾ /8					
	q	q1	m	k1	o1	kBRE	oBRE	g1	g3	m	k1	o1	kBRE	oBRE	g1	g3
SK 2382VF	201	60	60.5	512	251	549	288	122	132	78.5	561	300	614	353	137	162
SK 3382VF	241	60	60.5	552	251	589	288	122	132	78.5	601	300	654	353	137	162
SK 2382AF	166	60	60.5	477	251	514	288	122	132	78.5	526	300	579	353	137	162
SK 3382AF	191	60	60.5	502	251	539	288	122	132	78.5	551	300	604	353	137	162

All specifications in mm, unless marked otherwise.

1) 71 F4/8 + 27 mm, 90 F3/8, F4/8 + 40 mm

SK 4382 SK 5382



Type	Ød ^{m6}	l	t	u	v	w
SK 4382V	55	110	59	16	10	90
SK 5382V	65	130	69	18	15	100

Type	ØD	ØH ^{H7}	mH	LH	tH	uH
SK 4382A	70	50	195	65	53.8	14
SK 5382A	85	60	230	75	64.4	18

Type	b	c	h	h1	h2	h3	m1	M	M1	M2	n	p	Øs	T	x	x1
SK 4382V/A	255	281	454	123	439	145	181	22	158	48	105	105	22	M20	7	7
SK 5382V/A	306	341	525	144	520	175	215	28	183	53	105	105	22	M20	7.5	7.5

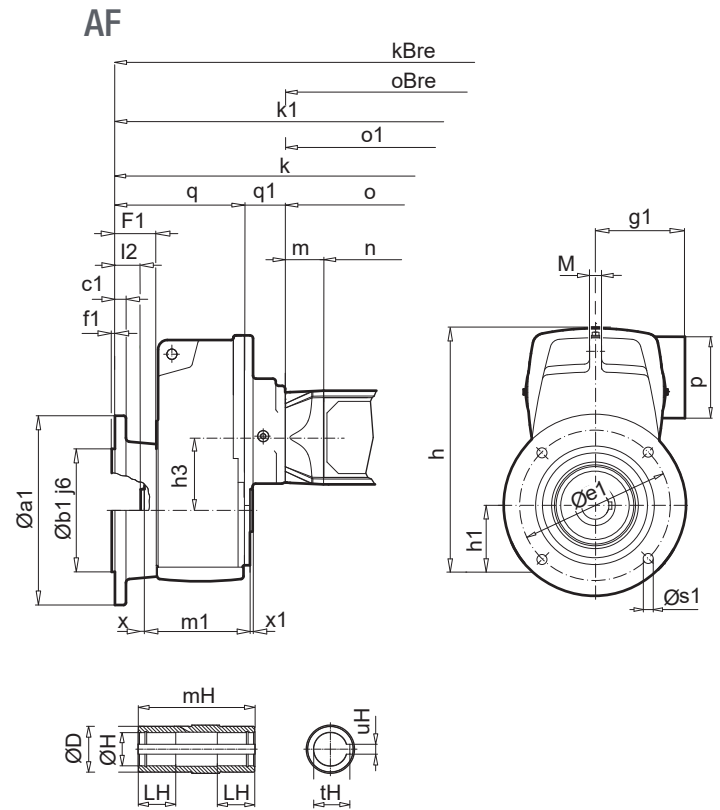
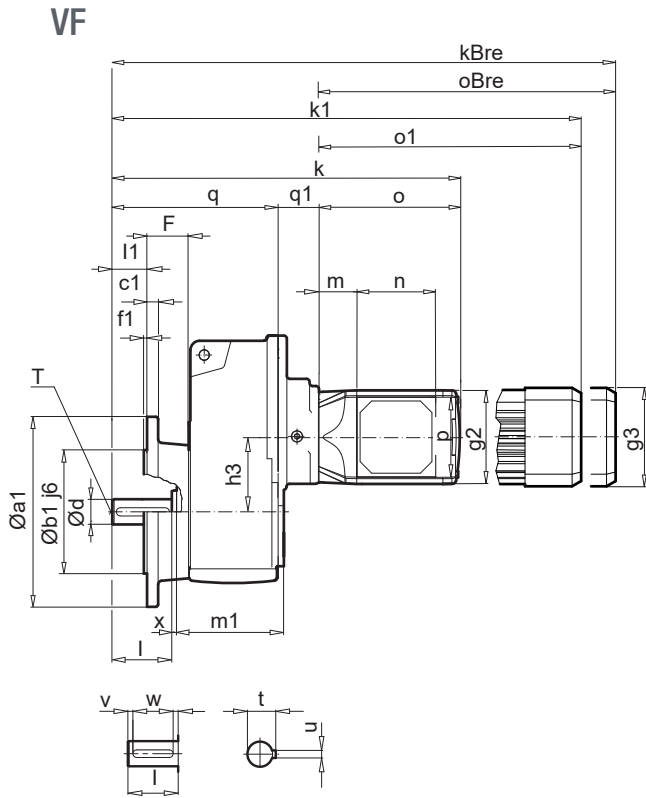
Parallel shaft gear units

Type	71 N1, N2, N3 /8								90 N1, N2, N3 /8							
	q	q1	m	k	o	kBRE	oBRE	g1	g2	m	k	o	kBRE	oBRE	g1	g2
SK 4382V	298	69	55	556	189	601	234	122	125							
SK 5382V	332	69	55	590	189	635	234	122	125							
SK 4382A	188	69	55	446	189	491	234	122	125							
SK 5382A	202	69	55	460	189	505	234	122	125							

Type	71 F1, F2, F3, F4 ¹⁾ /8								90 F1, F2, F3 ¹⁾ , F4 ¹⁾ /8							
	q	q1	m	k1	o1	kBRE	oBRE	g1	g3	m	k1	o1	kBRE	oBRE	g1	g3
SK 4382V	298	69	54.9	613	246	649	282	122	132							
SK 5382V	332	69	54.9	647	246	684	282	122	132							
SK 4382A	188	69	54.9	503	246	539	282	122	132							
SK 5382A	202	69	54.9	517	246	554	282	122	132							

1) 71 F4/8 + 27 mm , 90 F3/8, F4/8 + 40 mm

All specifications in mm, unless marked otherwise.



Type	Ød ^{m6}	l	l1	t	u	v	w
SK 4382VF	55	110	75	59	16	10	90
SK 5382VF	65	130	90	69	18	15	100

Type	ØD	ØH ^{H7}	l2	mH	LH	tH	uH
SK 4382AF	70	50	35	195	65	53.8	14
SK 5382AF	85	60	40.5	230	75	64.4	18

Type	Øa1	Øb1	c1	Øe1	f1	Øs1
SK 4382VF/AF	250	180	14.5	215	4	4 x 14
SK 5382VF/AF	350	250	20	300	5	4 x 18

Type	F	F1	m1	h	h1	h3	M	n	p	T	x	x1
SK 4382VF/AF	53	53	181	454	123	145	22	105	105	M20	7	7
SK 5382VF/AF	57	57	215	525	144	175	28	105	105	M20	7.5	7.5

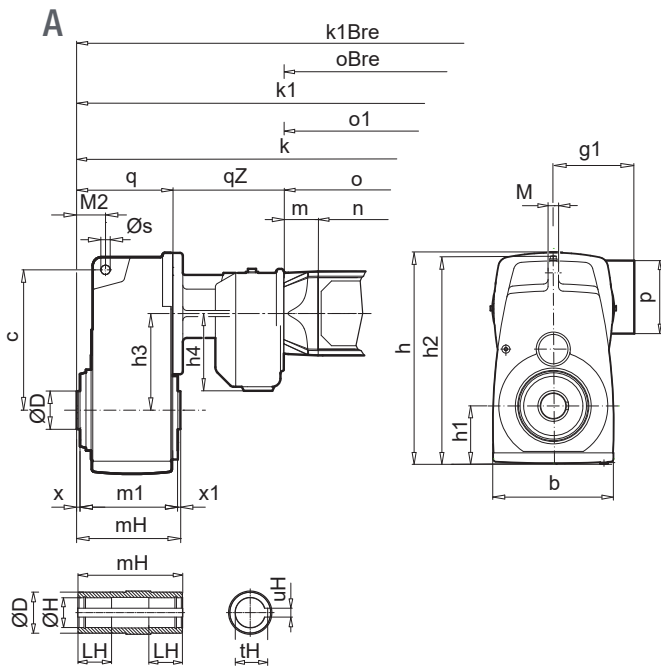
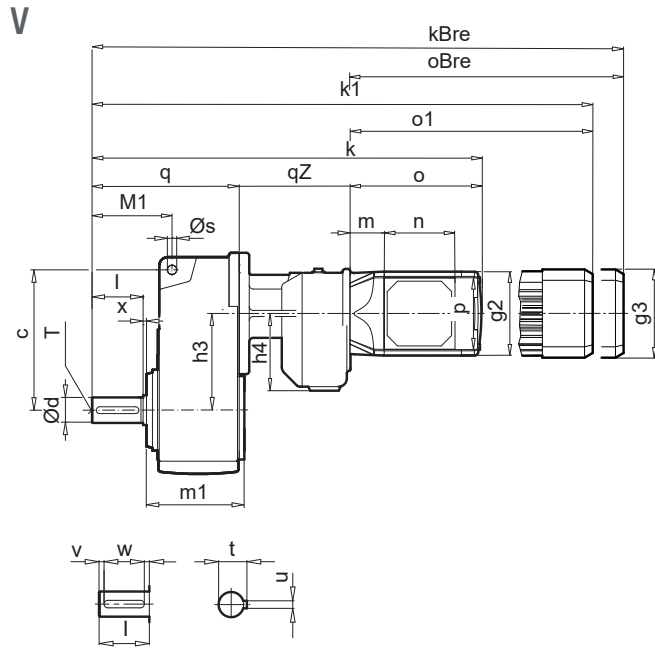
		71 N1, N2, N3 /8							90 N1, N2, N3 /8							
Type	q	q1	m	k	o	kBRE	oBRE	g1	g2	m	k	o	kBRE	oBRE	g1	g2
SK 4382VF	298	69	55	481	189	601	234	122	125							
SK 5382VF	333	69	55	591	189	636	234	122	125							
SK 4382AF	223	69	55	481	189	526	234	122	125							
SK 5382AF	243	69	55	501	189	546	234	122	125							

		71 F1, F2, F3, F4 ¹⁾ /8							90 F1, F2, F3 ¹⁾ , F4 ¹⁾ /8							
Type	q	q1	m	k1	o1	kBRE	oBRE	g1	g3	m	k1	o1	kBRE	oBRE	g1	g3
SK 4382VF	298	69	54.9	613	246	649	282	122	132							
SK 5382VF	333	69	54.9	648	246	685	282	122	132							
SK 4382AF	223	69	54.9	538	246	574	282	122	132							
SK 5382AF	243	69	54.9	558	246	594	282	122	132							

All specifications in mm, unless marked otherwise.

1) 71 F4/8 + 27 mm, 90 F3/8, F4/8 + 40 mm

SK 2228/02 - SK 5282/12



Type	Ød ^{m6}	l	t	u	v	w
SK 2282/02 V	35	70	38	10	5	60
SK 3282/12 V	45	90	48.5	14	5	80
SK 4282/12 V	55	110	59	16	10	90
SK 5282/12 V	65	130	69	18	15	100

Type	ØD	ØH ^{H7}	mH	LH	tH	uH
SK 2282/02 A	50	35	139	50	38.3	10
SK 3282/12 A	55	40	174	58	43.3	12
SK 4282/12 A	70	50	195	65	53.8	14
SK 5282/12 A	85	60	230	75	64.4	18

Type	b	c	h	h1	h2	h3	h4	m1	M	M1	M2	n	p	Øs	T	x	x1
SK 2282/02 V/A	190	211	337	90	327	147	89	126	16	108	38	105	105	14	M12	5	8
SK 3282/12 V/A	226	250	387	106	384	178	106	162	18	129	39	105	105	14	M16	6	6
SK 4282/12 V/A	255	281	454	123	439	206	106	181	22	158	48	105	105	22	M20	7	7
SK 5282/12 V/A	306	341	525	144	520	251	106	215	28	182	52	105	105	22	M20	7.5	7.5

Type	71 N1, N2, N3 /8								90 N1, N2, N3 /8							
	q	qZ	m	k	o	kBRE	oBRE	g1	g2	m	k	o	kBRE	oBRE	g1	g2
SK 2282/02 V	217	141	60.6	553	195	598	240	122	125							
SK 3282/12 V	257	154	60.6	606	195	651	240	122	125	78.5	675	264	730	318	137	155
SK 4282/12 V	318	154	60.6	667	195	712	240	122	125	78.5	736	264	791	318	137	155
SK 5282/12 V	352	154	60.6	701	195	746	240	122	125	78.5	771	264	826	318	137	155
SK 2282/02 A	147	141	60.6	483	195	528	240	122	125							
SK 3282/12 A	167	154	60.6	516	195	561	240	122	125	78.5	585	264	640	318	137	155
SK 4282/12 A	208	154	60.6	557	195	602	240	122	125	78.5	626	264	681	318	137	155
SK 5282/12 A	222	154	60.6	571	195	616	240	122	125	78.5	641	264	669	318	137	155

Type	71 F1, F2, F3, F4 ¹⁾ /8								90 F1, F2, F3 ¹⁾ , F4 ¹⁾ /8							
	q	qZ	m	k1	o1	kBRE	oBRE	g1	g3	m	k1	o1	kBRE	oBRE	g1	g3
SK 2282/02 V	217	141	60.5	609	251	646	288	122	132							
SK 3282/12 V	257	154	60.5	662	251	699	288	122	132	78.5	711	300	764	353	137	162
SK 4282/12 V	318	154	60.5	723	251	760	288	122	132	78.5	772	300	825	353	137	162
SK 5282/12 V	352	154	60.5	758	251	795	288	122	132	78.5	807	300	860	353	137	162
SK 2282/02 A	147	141	60.5	539	251	576	288	122	132							
SK 3282/12 A	167	154	60.5	572	251	609	288	122	132	78.5	621	300	674	353	137	162
SK 4282/12 A	208	154	60.5	613	251	650	288	122	132	78.5	662	300	715	353	137	162
SK 5282/12 A	222	154	60.5	628	251	665	288	122	132	78.5	677	300	730	353	137	162

1) 71 F4/8 + 27 mm, 90 F3/8, F4/8 + 40 mm

All specifications in mm, unless marked otherwise.

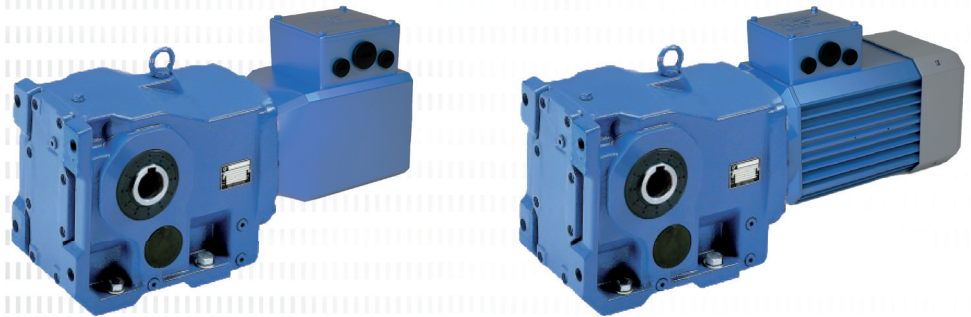
Bevel gear units

Geared motor data

E 2 - 33

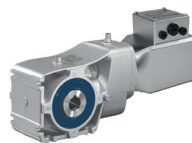
Dimensioned drawings

E 34 - 48



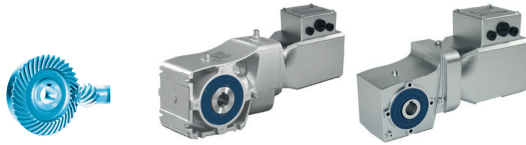
0.35 kW / 0.46 hp
0.70 kW / 0.95 hp

TENV



P_1		n_1	n_2	M_2		f_B	i_{tot}	F_R / F_A				F_{RVL} / F_{AVL}				Model type	📦	
[kW]	[hp]	[rpm]	[rpm]	[Nm]	[lb-in]			F_R	F_A	F_R	F_A	F_{RVL}	F_{AVL}	F_{RVL}	F_{AVL}		[kg]	[lb]
0.35	0.46	2100	31	107	924	4.6	66.96	10.4	2160	25.0	5620					SK 92772.1 - 71 N1/8	39.7	87.5
		2100	35	95,0	824	4.6	59.68	10.4	2160	25.0	5620					SK 93772.1 - 71 N1/8		
		2100	43	77,3	670	4.1	48.56	8.4	1890	20.0	4500					SK 92672.1 - 71 N1/8	28.3	62.4
		2100	49	68,9	597	4.4	43.28	8.4	1890	20.0	4500					SK 93672.1 - 71 N1/8		
		2100	51	66,0	572	2.8	41.46	6.6	1670	15.0	3370					SK 92372.1 - 71 N1/8	17.4	38.4
		2100	57	58,6	508	3.1	36.80	6.6	1670	15.0	3370					SK 93372.1 - 71 N1/8		
		2100	64	52,2	453	3.8	32.80	6.6	1680	15.0	3370							
		2100	75	44,7	388	4.1	28.11	6.6	1680	15.0	3370							
		2100	74	45,0	390	2.4	28.24	4.9	1510	11.6	2610					SK 92172.1 - 71 N1/8	12.5	27.6
		2100	85	39,5	342	3.0	24.80	4.9	1520	11.6	2610					SK 93172.1 - 71 N1/8		
		2100	102	32,9	285	3.2	20.67	4.9	1520	11.6	2610							
		2100	138	24,2	210	3.8	15.23	4.9	1520	11.6	2610							
		2100	151	22,1	192	4.9	13.87	5.0	1520	11.6	2610							
		2100	101	33,1	287	2.4	20.80	5.0	690	9.0	2020					SK 92072.1 - 71 N1/8	10.8	23.8
		2100	131	25,5	221	2.6	16.00	5.0	700	9.0	2020					SK 93072.1 - 71 N1/8		
		2100	164	20,3	176	2.9	12.78	5.0	700	9.0	2020							
		2100	189	17,7	153	3.7	11.11	5.0	710	9.0	2020							
		2100	213	15,7	136	4.8	9.85	5.0	710	9.0	2020							
		2100	131	25,5	221	2.0	16.00	3.0	670	5.6	1260					SK 920072.1 - 71 N1/8	8.3	18.3
		2100	155	21,5	187	2.3	13.53	3.0	670	5.6	1260					SK 930072.1 - 71 N1/8		
		2100	277	12,1	105	4.1	7.58	3.0	670	5.6	1260							
		2100	315	10,6	92,0	4.7	6.67	3.0	670	5.6	1260							
		2100	328	10,2	88,4	4.9	6.40	3.0	670	5.6	1260							
		2100	373	9,0	77,8	5.0	5.64	3.0	670	5.6	1260							
		2100	406	8,2	71,3	4.6	5.17	3.0	670	5.6	1260							
		2100	31	213	1909	2.3	66.96	10.3	2110	25.0	5620					SK 92772.1 - 71 N2/8	40.8	90.0
		2100	35	190	1702	2.3	59.68	10.3	2130	25.0	5620					SK 93772.1 - 71 N2/8		
		2100	40	168	1501	3.4	52.64	10.3	2140	25.0	5620							
		2100	45	149	1338	3.4	46.92	10.4	2140	25.0	5620							
		2100	48	138	1239	4.6	43.44	10.4	2150	25.0	5620							
		2100	43	155	1384	2.1	48.56	8.3	1860	20.0	4500					SK 92672.1 - 71 N2/8	29.4	64.8
		2100	49	138	1234	2.2	43.28	8.3	1860	20.0	4500					SK 93672.1 - 71 N2/8		
		2100	56	120	1078	2.6	37.82	8.4	1870	20.0	4500							
		2100	62	107	961	3.4	33.71	8.4	1880	20.0	4500							
		2100	68	97,6	874	3.3	30.67	8.4	1880	20.0	4500							
		2100	77	87,0	779	4.2	27.33	8.4	1880	20.0	4500							
		2100	105	63,7	570	4.9	20.00	8.4	1890	20.0	4500							
		2100	51	132	1182	1.4	41.46	6.4	1630	15.0	3370							
		2100	57	117	1049	1.6	36.80	6.5	1640	15.0	3370							
		2100	64	104	935	1.9	32.80	6.5	1650	15.0	3370							
		2100	75	89,5	801	2.1	28.11	6.6	1660	15.0	3370							

NORDBLOC.1®
Bevel gear units

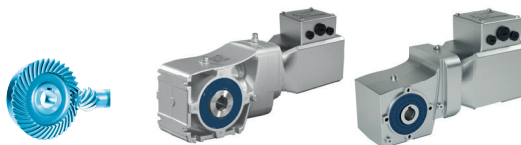



P_1		n_1	n_2	M_2		f_B	i_{tot}	F_R / F_A				F_{RVL} / F_{AVL}				Model type	📦	
[kW]	[hp]			[Nm]	[lb-in]			[kN]	[lb]	[kN]	[lb]	[kN]	[lb]	[kN]	[lb]		[kg]	[lb]
0.70	0.95	2100	84	79,8	714	2.7	25.06	6.6	1660	15.0	3370			SK 92372.1 - 71 N2/8	18.5	40.8		
		2100	93	71,6	641	2.6	22.49	6.6	1670	15.0	3370			SK 93372.1 - 71 N2/8				
		2100	105	63,8	571	3.4	20.04	6.6	1670	15.0	3370							
		2100	115	58,4	523	3.1	18.33	6.6	1670	15.0	3370							
		2100	133	50,4	452	3.6	15.84	6.6	1680	15.0	3370							
		2100	149	45,0	403	4.8	14.12	6.6	1680	15.0	3370							
		2100	167	40,0	358	4.6	12.56	6.6	1680	15.0	3370							
		2100	74	89,9	805	1.2	28.24	4.8	1470	11.6	2610			SK 92172.1 - 71 N2/8			13.6	30.0
		2100	85	78,9	707	1.5	24.80	4.8	1480	11.6	2610			SK 93172.1 - 71 N2/8				
		2100	102	65,8	589	1.6	20.67	4.9	1500	11.6	2610							
		2100	138	48,5	434	1.9	15.23	4.9	1510	11.6	2610							
		2100	151	44,2	396	2.4	13.87	4.9	1510	11.6	2610							
		2100	170	39,3	352	2.7	12.34	4.9	1520	11.6	2610							
		2100	172	38,8	347	2.9	12.18	4.9	1520	11.6	2600							
		2100	194	34,5	309	3.3	10.83	4.9	1470	11.2	2520							
		2100	207	32,3	289	2.9	10.15	4.9	1450	11.0	2470							
		2100	221	30,2	271	3.5	9.49	4.9	1410	10.8	2430							
		2100	233	28,7	257	3.3	9.03	4.9	1400	10.6	2380							
		2100	252	26,5	238	4.3	8.33	4.9	1360	10.4	2340							
		2100	268	24,9	223	4.5	7.83	4.9	1340	10.2	2300							
2100	302	22,1	198	5	6.94	5.0	1290	9.8	2210									
2100	322	20,8	186	4.5	6.53	5.0	1270	9.7	2170									
2100	364	18,4	164	5	5.77	5.0	1220	9.3	2100									
2100	101	66,2	593	1.2	20.80	5.0	630	9.0	2020			SK 92072.1 - 71 N2/8	11.9	26.2				
2100	131	50,9	456	1.3	16.00	5.0	670	9.0	2020			SK 93072.1 - 71 N2/8						
2100	164	40,7	364	1.4	12.78	5.0	680	9.0	2020									
2100	189	35,4	317	1.8	11.11	5.0	690	9.0	2020									
2100	213	31,3	281	2.4	9.85	4.8	690	9.0	2010									
2100	242	27,6	247	2.7	8.67	4.6	700	8.7	1940									
2100	277	24,1	216	3.0	7.58	4.5	700	8.3	1860									
2100	315	21,2	190	3.2	6.67	4.3	700	8.0	1800									
2100	360	18,6	166	3.9	5.83	4.1	700	7.8	1740									
2100	406	16,4	147	4.1	5.17	4.0	710	7.5	1680									
2100	451	14,8	133	4.4	4.65	3.9	710	7.1	1600									
2100	131	50,9	456	1.0	16.00	3.0	660	5.6	1260			SK 920072.1 - 71 N2/8			9.4	20.7		
2100	155	43,1	386	1.2	13.53	3.0	670	5.6	1260			SK 930072.1 - 71 N2/8						
2100	277	24,1	216	2.1	7.58	3.0	670	5.6	1260									
2100	315	21,2	190	2.4	6.67	3.0	670	5.6	1260									
2100	328	20,4	183	2.5	6.40	3.0	670	5.6	1260									
2100	373	17,9	161	2.5	5.64	3.0	670	5.6	1260									
2100	406	16,4	147	2.3	5.17	3.0	670	5.6	1260									
2100	466	14,3	128	2.8	4.50	3.0	670	5.6	1260									
2100	528	12,7	113	3.2	3.97	3.0	670	5.6	1260									
2100	625	10,7	95,8	3.7	3.36	2.9	650	5.4	1200									
2100	694	9,6	86,3	4.2	3.03	2.8	630	5.2	1170									

NORDBLOC.1®
Bevel gear units

1.05 kW / 1.40 hp

TENV



P_1		n_1	n_2	M_2		f_B	i_{tot}	F_R / F_A				F_{RVL} / F_{AVL}				Model type	 [kg] [lb]		
[kW]	[hp]							[Nm]	[lb-in]	F_R	[lb]	F_A	[kN]	[lb]	F_{RVL}				[lb]
1.05	1.40	2100	31	320	2813	1.5	66.96	10.0	2050	25.0	5620								
		2100	35	285	2507	1.5	59.68	10.1	2070	25.0	5620								
		2100	40	251	2212	2.3	52.64	10.2	2100	25.0	5620								
		2100	45	224	1972	2.3	46.92	10.2	2110	25.0	5620								
		2100	48	207	1825	3	43.44	10.3	2120	25.0	5620								
		2100	76	132	1162	4.8	27.65	10.4	2150	25.0	5620								
		2100	43	232	2040	1.4	48.56	8.1	1810	20.0	4500								
		2100	49	207	1818	1.5	43.28	8.2	1830	20.0	4500								
		2100	56	181	1589	1.8	37.82	8.2	1840	20.0	4500								
		2100	62	161	1416	2.3	33.71	8.3	1850	20.0	4500								
2100	68	146	1289	2.2	30.67	8.3	1860	20.0	4500										
2100	77	131	1148	2.8	27.33	8.3	1870	20.0	4500										
2100	105	95,5	840	3.3	20	8.4	1880	20.0	4500										
2100	120	83,4	734	3.8	17.46	8.4	1880	20.0	4500										
2100	135	74,3	654	4.9	15.56	8.4	1890	20.0	4500										
2100	146	68,8	605	4.6	14.4	8.4	1890	20.0	4500										
2100	51	198	1742	0.9	41.46	6.2	1560	15.0	3370										
2100	57	176	1546	1	36.8	6.3	1590	15.0	3370										
2100	64	157	1378	1.3	32.8	6.3	1610	15.0	3370										
2100	75	134	1181	1.4	28.11	6.4	1630	15.0	3370										
2100	84	120	1053	1.8	25.06	6.5	1640	15.0	3370										
2100	93	107	945	1.7	22.49	6.5	1650	15.0	3370										
2100	105	95,7	842	2.3	20.04	6.5	1660	15.0	3370										
2100	115	87,5	770	2.1	18.33	6.6	1660	15.0	3370										
2100	133	75,7	666	2.4	15.84	6.6	1670	15.0	3370										
2100	149	67,4	593	3.2	14.12	6.6	1670	15.0	3370										
2100	167	60	528	3.1	12.56	6.6	1670	15.0	3370										
2100	188	53,5	471	4.1	11.2	6.6	1680	15.0	3370										
2100	203	49,3	434	4.5	10.33	6.6	1680	15.0	3370										
2100	205	48,8	430	3.8	10.22	6.6	1680	15.0	3370										
2100	230	43,5	383	5	9.11	6.6	1680	15.0	3370										
2100	74	135	1187	0.8	28.24	4.5	1400	11.6	2610										
2100	85	118	1042	1	24.8	4.6	1430	11.6	2610										
2100	102	98,7	868	1.1	20.67	4.7	1460	11.6	2610										
2100	138	72,7	640	1.3	15.23	4.8	1490	11.6	2610										
2100	151	66,2	583	1.6	13.87	4.9	1500	11.5	2590										
2100	170	58,9	518	1.8	12.34	4.9	1480	11.2	2520										
2100	172	58,2	512	2	12.18	4.9	1470	11.1	2500										
2100	194	51,7	455	2.2	10.83	4.9	1430	10.8	2430										
2100	207	48,5	427	2	10.15	4.9	1410	10.6	2380										
2100	221	45,3	399	2.4	9.49	4.9	1380	10.5	2350										
2100	233	43,1	379	2.2	9.03	4.9	1360	10.3	2310										
2100	252	39,8	350	2.9	8.33	4.9	1330	10.1	2270										
2100	268	37,4	329	3	7.83	4.9	1310	9.9	2230										

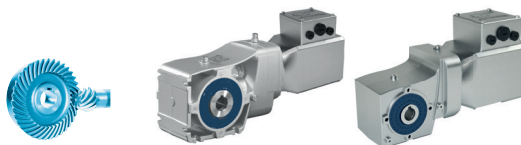
NORDBLOC.1®
Bevel gear units



P_1		n_1	n_2	M_2		f_B	i_{tot}	F_R / F_A				F_{RVL} / F_{AVL}				Model type	📦		
[kW]	[hp]			[rpm]	[Nm]			[lb-in]	F_R	F_A	F_{RVL}	F_{AVL}	[kN]	[lb]	[kN]		[lb]	[kg]	[lb]
1.05	1.40	2100	302	33,2	292	3.3	6.94	4.9	1260	9.6	2150					SK 92172.1 - 71 N3/8 SK 93172.1 - 71 N3/8	14.6	32.2	
		2100	322	31,2	274	3	6.53	4.9	1240	9.4	2110								
		2100	364	27,5	242	3.3	5.77	4.9	1190	9.1	2040								
		2100	400	25,1	221	4.3	5.26	4.9	1160	8.7	1950								
		2100	429	23,4	206	4.6	4.89	4.8	1140	8.4	1880								
		2100	546	18,4	162	4.8	3.85	4.5	1060	7.5	1680								
		2100	101	99,3	874	0.8	20.8	4.9	530	9.0	2020					SK 92072.1 - 71 N3/8 SK 93072.1 - 71 N3/8	12.9	28.4	
		2100	131	76,4	672	0.9	16	5.0	610	9.0	2020								
		2100	164	61	537	1	12.78	4.9	650	9.0	2020								
		2100	189	53,1	467	1.2	11.11	4.7	660	8.8	1970								
		2100	213	47	414	1.6	9.85	4.6	670	8.5	1910								
		2100	242	41,4	364	1.8	8.67	4.5	680	8.3	1860								
		2100	277	36,2	318	2	7.58	4.3	690	7.9	1780								
		2100	315	31,8	280	2.1	6.67	4.2	690	7.7	1730								
		2100	360	27,8	245	2.6	5.83	4.0	700	7.5	1680								
		2100	406	24,7	217	2.7	5.17	3.9	700	7.2	1620								
		2100	451	22,2	196	2.9	4.65	3.8	700	6.9	1550								
		2100	528	19	167	3.6	3.97	3.6	700	6.4	1430								
		2100	587	17,1	150	3.9	3.58	3.5	710	6.1	1370								
1.10	1.50	2100	48	217	1956	2.9	43.44	10.3	2110	25.0	5620			SK 92772.1 - 90 N1/8 SK 93772.1 - 90 N1/8	44.8				98.8
		2100	53	197	1770	3.2	39.32	10.3	2120	25.0	5620								
		2100	60	175	1578	3.8	35.04	10.3	2130	25.0	5620								
		2100	83	127	1141	5	25.34	10.4	2150	25.0	5620								
		2100	68	153	1381	2.1	30.67	8.3	1860	20.0	4500			SK 92672.1 - 90 N1/8 SK 93672.1 - 90 N1/8	33.4	73.6			
		2100	77	137	1230	2.7	27.33	8.3	1860	20.0	4500								
		2100	84	124	1120	2.9	24.88	8.4	1870	20.0	4500								
		2100	105	100	900	3.1	20	8.4	1880	20.0	4500								
		2100	115	91,1	820	3.8	18.21	8.4	1880	20.0	4500								
		2100	120	87,3	786	3.6	17.46	8.4	1880	20.0	4500								
		2100	135	77,9	701	4.7	15.56	8.4	1890	20.0	4500								
		2100	146	72	648	4.4	14.4	8.4	1890	20.0	4500								
		2100	93	112	1012	1.6	22.49	6.5	1640	15.0	3370						SK 92372.1 - 90 N1/8 SK 93372.1 - 90 N1/8	22.5	49.6
		2100	105	100	902	2.2	20.04	6.5	1650	15.0	3370								
		2100	167	62,8	566	2.9	12.56	6.6	1670	15.0	3370								
		2100	188	56	504	3.9	11.2	6.6	1670	15.0	3370								
		2100	205	51,1	460	3.6	10.22	6.6	1680	15.0	3370								
		2100	230	45,6	410	4.8	9.11	6.6	1680	15.0	3370								
		2100	221	47,5	427	2.3	9.49	4.9	1370	10.4	2340			SK 92172.1 - 90 N1/8 SK 93172.1 - 90 N1/8	17.6	38.8			
		2100	252	41,7	375	2.8	8.33	4.9	1320	10.0	2250								
		2100	268	39,2	353	2.8	7.83	4.9	1300	9.9	2210								
		2100	302	34,7	313	3.2	6.94	4.9	1260	9.5	2140								
		2100	322	32,7	294	2.8	6.53	4.9	1240	9.4	2100								

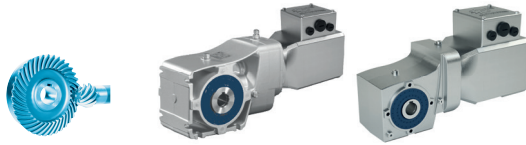
1.10 kW / 1.50 hp
1.50 kW / 2.00 hp


TENV



P_1		n_1	n_2	M_2		f_B	i_{tot}	F_R / F_A				F_{RVL} / F_{AVL}				Model type	📦	
[kW]	[hp]			[rpm]	[Nm]			[lb-in]	F_R	F_A	F_{RVL}	F_{AVL}	[kN]	[lb]	[kN]		[lb]	[kg]
1.10	1.50	2100	364	28,9	260	3.2	5.77	4.9	1190	9.0	2030			SK 92172.1 - 90 N1/8	17.6	38.8		
		2100	400	26,3	237	4.1	5.26	4.9	1160	8.6	1930			SK 93172.1 - 90 N1/8				
		2100	429	24,5	220	4.4	4.89	4.8	1130	8.3	1870							
		2100	489	21,5	193	4.9	4.30	4.6	1090	7.8	1760							
		2100	546	19,2	173	4.6	3.85	4.5	1060	7.4	1670							
		2100	587	17,9	161	4.9	3.58	4.4	1040	7.2	1620							
	2100	360	29,2	262	2.5	5.83	4.0	700	7.5	1670			SK 92072.1 - 90 N1/8	15.9	35.1			
		406	25,8	233	2.6	5.17	3.9	700	7.2	1610			SK 93072.1 - 90 N1/8					
		451	23,3	210	2.8	4.65	3.8	700	6.8	1530								
		528	19,9	179	3.4	3.97	3.6	700	6.3	1420								
		587	17,9	161	3.7	3.58	3.5	710	6.1	1360								
	1.50	2.00	2100	48	296	2608	2.1	43.44	10.1	2070	25.0	5620			SK 92772.1 - 90 N2/8	45.6	100.5	
			2100	53	268	2360	2.3	39.32	10.2	2090	25.0	5620			SK 93772.1 - 90 N2/8			
			2100	60	239	2103	2.8	35.04	10.2	2100	25.0	5620						
			2100	83	173	1521	3.6	25.34	10.3	2130	25.0	5620						
			2100	93	154	1356	4.2	22.59	10.4	2140	25.0	5620						
			2100	99	144	1269	4.4	21.14	10.4	2150	25.0	5620						
2100			110	131	1150	4.8	19.17	10.4	2150	25.0	5620							
2100			111	129	1131	5.0	18.84	10.4	2150	25.0	5620							
2100			68	209	1841	1.5	30.67	8.2	1830	20.0	4500			SK 92672.1 - 90 N2/8	34.2			75.4
			77	186	1641	2.0	27.33	8.2	1840	20.0	4500			SK 93672.1 - 90 N2/8				
			84	170	1493	2.1	24.88	8.3	1850	20.0	4500							
			105	136	1200	2.3	20.00	8.3	1870	20.0	4500							
			115	124	1093	2.8	18.21	8.4	1870	20.0	4500							
			120	119	1048	2.7	17.46	8.4	1870	20.0	4500							
			135	106	934	3.4	15.56	8.4	1880	20.0	4500							
			146	98,2	865	3.2	14.40	8.4	1880	20.0	4500							
			164	87,6	771	4.1	12.84	8.4	1880	20.0	4500							
184			77,7	684	4.6	11.39	8.4	1890	20.0	4500								
2100		93	153	1350	1.2	22.49	6.4	1610	15.0	3370			SK 92372.1 - 90 N2/8	23.3	51.4			
		105	137	1203	1.6	20.04	6.4	1630	15.0	3370			SK 93372.1 - 90 N2/8					
		167	85,7	754	2.1	12.56	6.6	1660	15.0	3370								
		188	76,4	672	2.9	11.20	6.6	1670	15.0	3370								
		205	69,7	614	2.6	10.22	6.6	1670	15.0	3370								
		230	62,1	547	3.5	9.11	6.6	1670	14.7	3310								
		256	55,9	492	3.7	8.19	6.6	1670	14.1	3180								
		300	47,8	421	4.2	7.01	6.6	1680	13.2	2970								
		315	45,5	400	4.5	6.67	6.6	1680	12.8	2880								
		360	39,8	350	4.8	5.83	6.6	1650	12.1	2720								
		2100	221	64,7	570	1.7	9.49	4.9	1320	10.0	2250					SK 92172.1 - 90 N2/8	18.4	40.6
			252	56,8	500	2.0	8.33	4.9	1280	9.7	2170					SK 93172.1 - 90 N2/8		
			268	53,4	470	2.1	7.83	4.9	1260	9.5	2140							
			302	47,4	417	2.3	6.94	4.9	1230	9.2	2070							

NORDBLOC.1®
Bevel gear units




P_1		n_1	n_2	M_2		f_B	i_{tot}	F_R / F_A				F_{RVL} / F_{AVL}				Model type					
[kW]	[hp]	[rpm]	[rpm]	[Nm]	[lb-in]			F_R		F_A		F_{RVL}		F_{AVL}			[kg]	[lb]			
								[kN]	[lb]	[kN]	[lb]	[kN]	[lb]	[kN]	[lb]						
1.50	2.00	2100	322	44,5	392	2.1	6.53	4.9	1210	9.1	2040					SK 92172.1 - 90 N2/8	18.4	40.6			
		2100	364	39,4	346	2.3	5.77	4.9	1160	8.7	1960					SK 93172.1 - 90 N2/8					
		2100	400	35,9	316	3.0	5.26	4.8	1130	8.3	1880										
		2100	429	33,4	294	3.2	4.89	4.7	1110	8.1	1820										
		2100	489	29,3	258	3.6	4.30	4.5	1070	7.6	1710										
		2100	546	26,2	231	3.4	3.85	4.4	1040	7.2	1630										
		2100	587	24,4	215	3.6	3.58	4.3	1020	7.0	1580										
2.20	3.00	2100	48	435	3912	1.4	43.44	9.6	1930	25.0	5620					SK 92772.1 - 90 N3/8	48	105.8			
		2100	53	393	3540	1.6	39.32	9.8	1980	25.0	5620					SK 93772.1 - 90 N3/8					
		2100	60	351	3155	1.9	35.04	9.9	2020	25.0	5620										
		2100	83	254	2282	2.5	25.34	10.2	2090	25.0	5620										
		2100	93	226	2034	2.9	22.59	10.2	2110	25.0	5620										
		2100	99	211	1903	3.0	21.14	10.3	2110	25.0	5620										
		2100	110	192	1726	3.3	19.17	10.3	2120	25.0	5620										
		2100	111	189	1697	3.4	18.84	10.3	2130	25.0	5620										
		2100	123	171	1538	3.8	17.08	10.3	2130	25.0	5620										
		2100	136	154	1388	4.1	15.42	10.4	2140	25.0	5620										
		2100	152	138	1241	4.4	13.79	10.4	2150	25.0	5620										
		2100	168	125	1125	4.8	12.50	10.4	2150	25.0	5620										
		2100	68	307	2761	1.0	30.67	7.8	1730	20.0	4500								SK 92672.1 - 90 N3/8	36.6	80.7
		2100	77	273	2461	1.3	27.33	7.9	1770	20.0	4500								SK 93672.1 - 90 N3/8		
		2100	84	249	2240	1.5	24.88	8.0	1790	20.0	4500										
		2100	105	200	1801	1.6	20.00	8.2	1830	20.0	4500										
		2100	115	182	1639	1.9	18.21	8.2	1840	20.0	4500										
		2100	120	175	1572	1.8	17.46	8.2	1840	20.0	4500										
		2100	135	156	1401	2.3	15.56	8.3	1860	20.0	4500										
		2100	146	144	1297	2.2	14.40	8.3	1860	20.0	4500										
		2100	164	128	1156	2.8	12.84	8.3	1870	20.0	4500										
2100	184	114	1025	3.2	11.39	8.4	1870	19.6	4430												
2100	207	102	915	3.6	10.16	8.4	1880	19.2	4300												
2100	224	94	846	3.8	9.39	8.4	1880	18.4	4140												
2100	252	83,4	750	4.2	8.33	8.4	1880	17.4	3910												
2100	282	74,4	670	4.7	7.44	8.4	1890	16.6	3720												
2100	314	66,9	602	4.7	6.68	8.4	1890	15.9	3580												
2100	93	225	2025	0.8	22.49	6.0	1520	15.0	3370						SK 92372.1 - 90 N3/8	25.7	56.7				
2100	105	201	1805	1.1	20.04	6.1	1550	15.0	3370						SK 93372.1 - 90 N3/8						
2100	167	126	1131	1.5	12.56	6.5	1630	15.0	3370												
2100	188	112	1008	1.9	11.20	6.5	1640	14.9	3330												
2100	205	102	920	1.8	10.22	6.5	1650	14.6	3270												
2100	230	91,1	820	2.4	9.11	6.6	1660	14.1	3170												
2100	256	82,0	738	2.5	8.19	6.6	1660	13.5	3020												
2100	300	70,1	631	2.9	7.01	6.6	1670	12.7	2850												
2100	315	66,7	600	3.1	6.67	6.6	1670	12.3	2760												
2100	360	58,4	525	3.2	5.83	6.6	1610	11.6	2610												
2100	410	51,3	462	3.6	5.13	6.6	1550	11.0	2480												
2100	488	43,1	388	4.3	4.31	6.4	1470	10.3	2310												
2100	565	37,2	335	4.9	3.72	6.1	1410	9.7	2180												

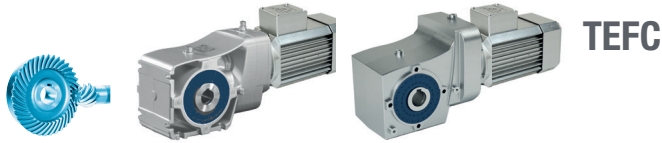
0.50 kW / 0.67 hp
1.00 kW / 1.35 hp

TEFC



P_1		n_1	n_2	M_2		f_B	i_{tot}	F_R / F_A				F_{RVL} / F_{AVL}				Model type	 [kg] [lb]	
[kW]	[hp]							[Nm]	[lb-in]	F_R	F_A	F_{RVL}	F_{AVL}	[kN]	[lb]			
0.50	0.67	2400	36	133	1178	3.7	66.96	10.38	2150	25	5620					SK 92772.1 - 71 F1/8	39.7	87.5
		2400	40	119	1050	3.7	59.68	10.40	2150	25	5620					SK 93772.1 - 71 F1/8		
		2400	49	96,6	854	3.3	48.56	8.39	1880	20	4500				SK 92672.1 - 71 F1/8	28.3	62.4	
		2400	55	86,1	761	3.6	43.28	8.41	1880	20	4500				SK 93672.1 - 71 F1/8			
		2400	63	75,2	665	4.2	37.82	8.42	1890	20	4500							
		2400	58	82,5	729	2.2	41.46	6.57	1660	15	3370				SK 92372.1 - 71 F1/8	17.4	38.4	
		2400	65	73,2	647	2.5	36.80	6.59	1670	15	3370				SK 93372.1 - 71 F1/8			
		2400	73	65,3	577	3.0	32.80	6.60	1670	15	3370							
		2400	85	55,9	495	3.3	28.11	6.62	1670	15	3370							
		2400	96	49,8	441	4.4	25.06	6.63	1680	15	3370							
		2400	107	44,7	396	4.1	22.49	6.63	1680	15	3370							
		2400	131	36,5	323	5.0	18.33	6.64	1680	15	3370							
		2400	85	56,2	497	1.9	28.24	4.88	1510	11.60	2610				SK 92172.1 - 71 F1/8	12.5	27.6	
		2400	97	49,3	436	2.4	24.8	4.90	1510	11.60	2610				SK 93172.1 - 71 F1/8			
		2400	116	41,1	364	2.5	20.67	4.92	1520	11.60	2610							
		2400	158	30,3	268	3.1	15.23	4.94	1520	11.60	2610							
		2400	173	27,6	244	3.9	13.87	4.94	1520	11.60	2610							
		2400	195	24,5	217	4.4	12.34	4.94	1500	11.46	2580							
		2400	197	24,2	214	4.7	12.18	4.94	1490	11.40	2560							
		2400	236	20,2	179	4.7	10.15	4.95	1410	10.77	2420							
		2400	115	41,4	366	2.0	20.80	5.00	680	9.00	2020				SK 92072.1 - 71 F1/8	10.8	23.8	
		2400	150	31,8	282	2.1	16.00	5.00	690	9.00	2020				SK 93072.1 - 71 F1/8			
		2400	188	25,4	225	2.3	12.78	5.00	700	9.00	2020							
		2400	216	22,1	195	2.9	11.11	4.88	700	9.00	2020							
		2400	244	19,6	173	3.9	9.85	4.72	700	8.85	1990							
		2400	277	17,2	152	4.3	8.67	4.54	710	8.53	1920							
		2400	317	15,1	133	4.8	7.58	4.36	710	8.17	1840							
		2400	150	31,8	282	1.6	16.00	3.00	670	5.60	1260				SK 920072.1 - 71 F1/8	8.3	18.3	
		2400	177	26,9	238	1.9	13.53	3.00	670	5.60	1260				SK 930072.1 - 71 F1/8			
		2400	317	15,1	133	3.3	7.58	3.00	670	5.60	1260							
		2400	360	13,3	117	3.8	6.67	3.00	670	5.60	1260							
		2400	375	12,7	113	3.9	6.40	3.00	670	5.60	1260							
		2400	426	11,2	99,2	4.0	5.64	3.00	670	5.60	1260							
		2400	465	10,3	90,9	3.6	5.17	3.00	670	5.60	1260							
		2400	533	9,0	79,3	4.5	4.50	3.00	670	5.60	1260							
1.00	1.35	2400	36	266	2374	1.8	66.96	10.15	2080	25	5620				SK 92772.1 - 71 F2/8	40.8	90.0	
		2400	40	237	2116	1.8	59.68	10.22	2100	25	5620				SK 93772.1 - 71 F2/8			
		2400	46	209	1866	2.8	52.64	10.27	2120	25	5620							
		2400	51	187	1663	2.8	46.92	10.31	2130	25	5620							
		2400	55	173	1540	3.6	43.44	10.33	2130	25	5620							
		2400	61	156	1394	4.0	39.32	10.35	2140	25	5620							
		2400	68	139	1242	4.7	35.04	10.37	2150	25	5620							

NORDBLOC.1®
Bevel gear units



P_1		n_1	n_2	M_2		f_B	i_{tot}	F_R / F_A				F_{RVL} / F_{AVL}				Model type	📦		
[kW]	[hp]			[rpm]	[Nm]			[lb-in]	F_R	F_A	F_{RVL}	F_{AVL}	[kN]	[lb]	[kN]		[lb]	[kg]	[lb]
1.00	1.35	2400	49	193	1721	1.6	48.56	8.19	1830	20	4500					SK 92672.1 - 71 F2/8	29.4	64.8	
		2400	55	172	1534	1.8	43.28	8.25	1850	20	4500					SK 93672.1 - 71 F2/8			
		2400	63	150	1341	2.1	37.82	8.30	1860	20	4500								
		2400	71	134	1195	2.7	33.71	8.33	1870	20	4500								
		2400	78	122	1087	2.6	30.67	8.35	1870	20	4500								
		2400	88	109	969	3.3	27.33	8.38	1880	20	4500								
		2400	96	99	882	3.7	24.88	8.39	1880	20	4500								
		2400	120	79,6	709	3.9	20.00	8.42	1890	20	4500								
		2400	132	72,4	645	4.8	18.21	8.42	1890	20	4500								
		2400	137	69,5	619	4.6	17.46	8.43	1890	20	4500								
		2400	58	165	1470	1.1	41.46	6.31	1600	15	3370						SK 92372.1 - 71 F2/8	18.5	40.8
		2400	65	146	1305	1.3	36.80	6.38	1620	15	3370						SK 93372.1 - 71 F2/8		
		2400	73	131	1163	1.5	32.80	6.44	1630	15	3370								
		2400	85	112	997	1.6	28.11	6.50	1650	15	3370								
		2400	96	99,7	888	2.2	25.06	6.53	1650	15	3370								
		2400	107	89,5	797	2.1	22.49	6.56	1660	15	3370								
2400	120	79,8	711	2.7	20.04	6.58	1660	15	3370										
2400	131	72,9	650	2.5	18.33	6.59	1670	15	3370										
2400	151	63,0	562	2.9	15.84	6.61	1670	15	3370										
2400	170	56,2	501	3.9	14.12	6.62	1670	15	3370										
2400	191	50,0	445	3.7	12.56	6.63	1680	15	3370										
2400	214	44,6	397	4.9	11.20	6.63	1680	15	3370										
2400	235	40,7	362	4.5	10.22	6.64	1680	15	3370										
2400	85	112	1001	1.0	28.24	4.63	1440	11.60	2610						SK 92172.1 - 71 F2/8	13.6	30.0		
2400	97	98,7	879	1.2	24.8	4.71	1460	11.60	2610						SK 93172.1 - 71 F2/8				
2400	116	82,2	733	1.3	20.67	4.79	1480	11.60	2610										
2400	158	60,6	540	1.5	15.23	4.87	1500	11.50	2580										
2400	173	55,2	492	2.0	13.87	4.88	1470	11.21	2520										
2400	195	49,1	437	2.2	12.34	4.90	1430	10.88	2440										
2400	197	48,5	432	2.4	12.18	4.90	1430	10.81	2430										
2400	222	43,1	384	2.6	10.83	4.91	1380	10.48	2350										
2400	236	40,4	360	2.4	10.15	4.92	1360	10.25	2300										
2400	253	37,8	336	2.8	9.49	4.92	1330	10.14	2280										
2400	266	35,9	320	2.6	9.03	4.93	1320	9.94	2230										
2400	288	33,2	295	3.5	8.33	4.93	1280	9.76	2190										
2400	306	31,2	278	3.6	7.83	4.93	1260	9.59	2160										
2400	346	27,6	246	4.0	6.94	4.94	1220	9.24	2080										
2400	368	26,0	231	3.6	6.53	4.94	1200	8.98	2020										
2400	416	23,0	205	4.0	5.77	4.86	1150	8.53	1920										
2400	115	82,8	737	1.0	20.8	4.97	590	9.00	2020						SK 92072.1 - 71 F2/8	11.9	26.2		
2400	150	63,7	567	1.0	16.00	5.00	640	9.00	2020						SK 93072.1 - 71 F2/8				
2400	188	50,9	453	1.2	12.78	4.76	670	8.89	2000										
2400	216	44,2	394	1.5	11.11	4.61	680	8.57	1920										
2400	244	39,2	349	1.9	9.85	4.48	690	8.30	1860										
2400	277	34,5	307	2.1	8.67	4.33	690	8.04	1810										

NORDBLOC.1®
Bevel gear units

1.00 kW / 1.35 hp
1.50 kW / 2.00 hp

TEFC



P_1		n_1	n_2	M_2		f_B	i_{tot}	F_R / F_A				F_{RVL} / F_{AVL}				Model type	📦		
[kW]	[hp]			[Nm]	[lb-in]			F_R	F_A	F_{RVL}	F_{AVL}	[kN]	[lb]	[kN]	[lb]		[kN]	[lb]	[kg]
1.00	1.35	2400	317	30,1	269	2.4	7.58	4.19	700	7.72	1730								
		2400	360	26,5	236	2.6	6.67	4.05	700	7.47	1680								
		2400	412	23,2	207	3.1	5.83	3.87	700	7.23	1630								
		2400	465	20,6	183	3.3	5.17	3.75	700	6.81	1530								
		2400	516	18,5	165	3.5	4.65	3.63	700	6.49	1460								
		2400	604	15,8	141	4.3	3.97	3.48	710	6.03	1350								
		2400	670	14,2	127	4.6	3.58	3.37	710	5.77	1300								
		2400	150	63,7	567	0.8	16.00	3.00	640	5.60	1260								
		2400	177	53,8	480	0.9	13.53	3.00	660	5.60	1260								
	2400	317	30,1	269	1.7	7.58	3.00	670	5.60	1260									
	2400	360	26,5	236	1.9	6.67	3.00	670	5.60	1260									
	2400	375	25,5	227	2.0	6.40	3.00	670	5.60	1260									
	2400	426	22,4	200	2.0	5.64	3.00	670	5.60	1260									
	2400	465	20,6	183	1.8	5.17	3.00	670	5.60	1260									
	2400	533	17,9	160	2.2	4.50	2.93	660	5.44	1220									
	2400	604	15,8	141	2.5	3.97	2.83	640	5.22	1170									
	2400	714	13,4	119	3.0	3.36	2.72	610	5.01	1130									
	2400	793	12,0	107	3.3	3.03	2.64	590	4.87	1090									
1.50	2.00	2400	55	259	2282	2.4	43.44	10.17	2090	25.0	5620								
		2400	61	235	2065	2.7	39.32	10.22	2110	25.0	5620								
		2400	68	209	1840	3.2	35.04	10.27	2120	25.0	5620								
		2400	95	151	1331	4.2	25.34	10.36	2140	25.0	5620								
		2400	106	135	1186	4.8	22.59	10.38	2150	25.0	5620								
		2400	114	126	1110	5.0	21.14	10.39	2150	25.0	5620								
		2400	36	400	3517	1.2	66.96	9.76	1980	25.0	5620								
		2400	40	356	3134	1.2	59.68	9.90	2020	25.0	5620								
		2400	46	314	2765	1.8	52.64	10.03	2050	25.0	5620								
	2400	51	280	2464	1.8	46.92	10.12	2080	25.0	5620									
	2400	55	259	2282	2.4	43.44	10.17	2090	25.0	5620									
	2400	61	235	2065	2.7	39.32	10.22	2110	25.0	5620									
	2400	68	209	1840	3.2	35.04	10.27	2120	25.0	5620									
	2400	87	165	1452	3.8	27.65	10.34	2140	25.0	5620									
	2400	95	151	1331	4.2	25.34	10.36	2140	25.0	5620									
	2400	97	147	1294	4.5	24.64	10.37	2140	25.0	5620									
	2400	106	135	1186	4.8	22.59	10.38	2150	25.0	5620									
	2400	114	126	1110	5.0	21.14	10.39	2150	25.0	5620									
2400	78	183	1611	1.7	30.67	8.22	1840	20.0	4500										
2400	88	163	1436	2.2	27.33	8.27	1850	20.0	4500										
2400	96	148	1307	2.4	24.88	8.30	1860	20.0	4500										
2400	120	119	1050	2.6	20.00	8.36	1870	20.0	4500										
2400	132	109	956	3.2	18.21	8.38	1880	20.0	4500										
2400	137	104	917	3.0	17.46	8.38	1880	20.0	4500										
2400	154	92,9	817	3.9	15.56	8.40	1880	20.0	4500										
2400	167	86,0	757	3.7	14.40	8.41	1880	20.0	4500										
2400	187	76,6	674	4.7	12.84	8.42	1890	20.0	4500										

NORDBLOC.1®
Bevel gear units




P_1		n_1	n_2	M_2		f_B	i_{tot}	F_R / F_A				F_{RVL} / F_{AVL}				Model type	📦	
[kW]	[hp]			[Nm]	[lb-in]			F_R	F_A	F_{RVL}	F_{AVL}	[kN]	[lb]	[kN]	[lb]		[kN]	[lb]
1.50	2.00	2400	49	290	2550	1.1	48.56	7.85	1760	20.00	4500					SK 92672.1 - 71 F3/8 SK 93672.1 - 71 F3/8	30.4	67.0
		2400	55	258	2273	1.2	43.28	7.98	1790	20.00	4500							
		2400	63	226	1986	1.4	37.82	8.09	1810	20.00	4500							
		2400	71	201	1771	1.8	33.71	8.17	1830	20.00	4500							
		2400	78	183	1611	1.7	30.67	8.22	1840	20.00	4500							
		2400	88	163	1436	2.2	27.33	8.27	1850	20.00	4500							
		2400	96	148	1307	2.4	24.88	8.30	1860	20.00	4500							
		2400	120	119	1050	2.6	20.00	8.36	1870	20.00	4500							
		2400	132	109	956	3.2	18.21	8.38	1880	20.00	4500							
		2400	137	104	917	3.0	17.46	8.38	1880	20.00	4500							
		2400	154	92,9	817	3.9	15.56	8.40	1880	20.00	4500							
		2400	167	86,0	757	3.7	14.40	8.41	1880	20.00	4500							
		2400	187	76,6	674	4.7	12.84	8.42	1890	20.00	4500							
		2400		107	134	1181	1.4	22.49	6.43	1630	15.00	3370						
2400	120			120	1053	1.8	20.04	6.48	1640	15.00	3370							
2400	191			75	660	2.5	12.56	6.59	1670	15.00	3370							
2400	214			66,8	588	3.3	11.20	6.60	1670	15.00	3370							
2400	235			61,0	537	3.0	10.22	6.61	1670	14.67	3300							
2400	263			54,4	479	4.0	9.11	6.62	1680	14.04	3160							
2400	293			48,9	430	4.3	8.19	6.63	1680	13.26	2980							
2400	342			41,8	368	4.8	7.01	6.63	1670	12.42	2790							
2400		65	220	1933	0.8	36.80	6.02	1530	15.00	3370					SK 92372.1 - 71 F3/8 SK 93372.1 - 71 F3/8	19.5	43.0	
		2400	73	196	1723	1.0	32.80	6.16	1560	15.00	3370							
		2400	85	168	1476	1.1	28.11	6.30	1600	15.00	3370							
		2400	96	150	1316	1.5	25.06	6.37	1620	15.00	3370							
		2400	107	134	1181	1.4	22.49	6.43	1630	15.00	3370							
		2400	120	120	1053	1.8	20.04	6.48	1640	15.00	3370							
		2400	131	109	963	1.7	18.33	6.51	1650	15.00	3370							
		2400	151	94,6	832	1.9	15.84	6.54	1660	15.00	3370							
		2400	170	84,3	742	2.6	14.12	6.57	1660	15.00	3370							
		2400	191	75,0	660	2.5	12.56	6.59	1670	15.00	3370							
		2400	214	66,8	588	3.3	11.20	6.60	1670	15.00	3370							
		2400	232	61,7	543	3.6	10.33	6.61	1670	14.60	3280							
		2400	235	61,0	537	3.0	10.22	6.61	1670	14.67	3300							
		2400	263	54,4	479	4.0	9.11	6.62	1680	14.04	3160							
2400	293	48,9	430	4.3	8.19	6.63	1680	13.26	2980									
2400	342	41,8	368	4.8	7.01	6.63	1670	12.42	2790									
2400		253	56,6	498	1.9	9.49	4.88	1280	9.69	2180					SK 92172.1 - 90 F1/8 SK 93172.1 - 90 F1/8	17.6	38.8	
		2400	288	49,7	438	2.3	8.33	4.90	1240	9.35	2100							
		2400	306	46,8	411	2.4	7.83	4.90	1220	9.21	2070							
		2400	346	41,4	365	2.7	6.94	4.91	1190	8.83	1990							
		2400	368	39,0	343	2.4	6.53	4.92	1170	8.58	1930							
		2400	416	34,4	303	2.7	5.77	4.73	1120	8.21	1850							
		2400	457	31,4	276	3.4	5.26	4.61	1090	7.87	1770							
		2400	490	29,2	257	3.7	4.89	4.52	1070	7.63	1720							
		2400	559	25,6	226	4.1	4.30	4.36	1030	7.20	1620							
		2400	624	23,0	202	3.9	3.85	4.23	1000	6.86	1540							
2400	670	21,4	188	4.1	3.58	4.14	980	6.66	1500									

NORBLOC.1®
Bevel gear units

1.50 kW / 2.00 hp
2.20 kW / 3.00 hp


TEFC



P_1		n_1	n_2	M_2		f_B	i_{tot}	F_R / F_A				F_{RVL} / F_{AVL}				Model type	 [kg] [lb]	
[kW]	[hp]							[Nm]	[lb-in]	F_R	F_A	F_{RVL}	F_{AVL}	[kN]	[lb]			
1.50	2.00	2400	253	56,6	498	1.9	9.49	4.88	1280	9.69	2180			SK 92172.1 - 71 F3/8 SK 93172.1 - 71 F3/8	14.6	32.2		
		2400	288	49,7	438	2.3	8.33	4.90	1240	9.35	2100							
		2400	306	46,8	411	2.4	7.83	4.90	1220	9.21	2070							
		2400	346	41,4	365	2.7	6.94	4.91	1190	8.83	1990							
		2400	368	39,0	343	2.4	6.53	4.92	1170	8.58	1930							
		2400	416	34,4	303	2.7	5.77	4.73	1120	8.21	1850							
		2400	457	31,4	276	3.4	5.26	4.61	1090	7.87	1770							
		2400	490	29,2	257	3.7	4.89	4.52	1070	7.63	1720							
		2400	559	25,6	226	4.1	4.30	4.36	1030	7.20	1620							
		2400	624	23,0	202	3.9	3.85	4.23	1000	6.86	1540							
		2400	670	21,4	188	4.1	3.58	4.14	980	6.66	1500							
		2400	412	34,8	306	2.1	5.83	3.73	690	6.84	1540							
		2400	465	30,8	271	2.2	5.17	3.62	700	6.47	1460							
		2400	516	27,8	244	2.3	4.65	3.52	700	6.19	1390							
2400	604	23,7	209	2.9	3.97	3.39	700	5.76	1300									
2400	670	21,4	188	3.1	3.58	3.29	700	5.53	1240									
2.20	3.00	2400	55	380	3423	1.7	43.44	9.82	1990	25.00	5620			SK 92772.1 - 90 F2/8 SK 93772.1 - 90 F2/8	45.6	100.5		
		2400	61	344	3097	1.8	39.32	9.94	2020	25.00	5620							
		2400	68	307	2761	2.2	35.04	10.05	2050	25.00	5620							
		2400	95	222	1997	2.8	25.34	10.25	2110	25.00	5620							
		2400	106	198	1780	3.3	22.59	10.29	2120	25.00	5620							
		2400	114	185	1666	3.4	21.14	10.31	2130	25.00	5620							
		2400	125	168	1510	3.8	19.17	10.34	2140	25.00	5620							
		2400	127	165	1485	3.9	18.84	10.34	2140	25.00	5620							
		2400	140	150	1346	4.3	17.08	10.36	2140	25.00	5620							
		2400	156	135	1215	4.7	15.42	10.38	2150	25.00	5620							
		2400	174	121	1086	5.0	13.79	10.40	2150	25.00	5620							
		2400	61	344	3097	1.8	39.32	9.94	2020	25.00	5620							
		2400	68	307	2761	2.2	35.04	10.05	2050	25.00	5620							
		2400	87	242	2178	2.6	27.65	10.21	2100	25.00	5620							
2400	95	222	1997	2.8	25.34	10.25	2110	25.00	5620									
2400	97	216	1941	3.0	24.64	10.26	2110	25.00	5620									
2400	106	198	1780	3.3	22.59	10.29	2120	25.00	5620									
2400	114	185	1666	3.4	21.14	10.31	2130	25.00	5620									
2400	125	168	1510	3.8	19.17	10.34	2140	25.00	5620									
2400	127	165	1485	3.9	18.84	10.34	2140	25.00	5620									
2400	140	150	1346	4.3	17.08	10.36	2140	25.00	5620									
2400	156	135	1215	4.7	15.42	10.38	2150	25.00	5620									
2400	174	121	1086	5.0	13.79	10.40	2150	25.00	5620									
		2400	61	344	3097	1.8	39.32	9.94	2020	25.00	5620			SK 92772.1 - 71 F4/8 SK 93772.1 - 71 F4/8	44.8	98.8		
2400	68	307	2761	2.2	35.04	10.05	2050	25.00	5620									
2400	87	242	2178	2.6	27.65	10.21	2100	25.00	5620									
2400	95	222	1997	2.8	25.34	10.25	2110	25.00	5620									
2400	97	216	1941	3.0	24.64	10.26	2110	25.00	5620									
2400	106	198	1780	3.3	22.59	10.29	2120	25.00	5620									
2400	114	185	1666	3.4	21.14	10.31	2130	25.00	5620									
2400	125	168	1510	3.8	19.17	10.34	2140	25.00	5620									
2400	127	165	1485	3.9	18.84	10.34	2140	25.00	5620									
2400	140	150	1346	4.3	17.08	10.36	2140	25.00	5620									
2400	156	135	1215	4.7	15.42	10.38	2150	25.00	5620									
2400	174	121	1086	5.0	13.79	10.40	2150	25.00	5620									

NORDBLOC.1®
Bevel gear units



P_1		n_1	n_2	M_2		f_B	i_{tot}	F_R / F_A				F_{RVL} / F_{AVL}				Model type	 [kg] [lb]	
[kW]	[hp]							[Nm]	[lb-in]	F_R	F_A	F_{RVL}	F_{AVL}	[kN]	[lb]			
2.20	3.00	2400	78	268	2416	1.2	30.67	7.94	1770	20.00	4500			SK 92672.1 - 90 F2/8 SK 93672.1 - 90 F2/8	34.2	75.4		
		2400	88	239	2153	1.5	27.33	8.05	1800	20.00	4500							
		2400	96	218	1960	1.7	24.88	8.12	1820	20.00	4500							
		2400	120	175	1576	1.8	20.00	8.24	1840	20.00	4500							
		2400	132	159	1434	2.2	18.21	8.28	1850	20.00	4500							
		2400	137	153	1376	2.1	17.46	8.29	1860	20.00	4500							
		2400	154	136	1226	2.7	15.56	8.33	1860	20.00	4500							
		2400	167	126	1135	2.5	14.40	8.35	1870	20.00	4500							
		2400	187	112	1011	3.2	12.84	8.37	1870	19.68	4420							
		2400	211	99,7	897	3.6	11.39	8.39	1880	18.92	4280							
		2400	236	89,0	801	4.1	10.16	8.40	1880	18.10	4060							
		2400	255	82,2	740	4.3	9.39	8.41	1880	17.32	3890							
		2400	288	72,9	657	4.8	8.33	8.42	1890	16.41	3680							
		2400	96	218	1960	1.7	24.88	8.12	1820	20.00	4500						SK 92672.1 - 71 F4/8 SK 93672.1 - 71 F4/8	33.4
2400	132	159	1434	2.2	18.21	8.28	1850	20.00	4500									
2400	137	153	1376	2.1	17.46	8.29	1860	20.00	4500									
2400	154	136	1226	2.7	15.56	8.33	1860	20.00	4500									
2400	167	126	1135	2.5	14.40	8.35	1870	20.00	4500									
2400	187	112	1011	3.2	12.84	8.37	1870	19.68	4420									
2400	211	99,7	897	3.6	11.39	8.39	1880	18.92	4280									
2400	236	89,0	801	4.1	10.16	8.40	1880	18.10	4060									
2400	255	82,2	740	4.3	9.39	8.41	1880	17.32	3890									
2400	288	72,9	657	4.8	8.33	8.42	1890	16.41	3680									
2400	107	197	1772	0.9	22.49	6.15	1560	15.00	3370			SK 92372.1 - 90 F2/8 SK 93372.1 - 90 F2/8	23.3	51.4				
2400	120	175	1579	1.2	20.04	6.26	1580	15.00	3370									
2400	191	110	990	1.7	12.56	6.50	1650	14.85	3330									
2400	214	98,0	882	2.2	11.20	6.54	1650	14.39	3230									
2400	235	89,5	805	2.1	10.22	6.56	1660	14.12	3170									
2400	263	79,8	718	2.7	9.11	6.58	1660	13.43	3010									
2400	293	71,7	646	2.9	8.19	6.59	1670	12.68	2840									
2400	342	61,3	552	3.3	7.01	6.61	1620	11.98	2690									
2400	360	58,4	525	3.5	6.67	6.61	1610	11.63	2610									
2400	411	51,1	460	3.7	5.83	6.62	1550	11.01	2470									
2400	468	44,9	404	4.1	5.13	6.49	1490	10.46	2350									
2400	557	37,7	339	4.9	4.31	6.16	1410	9.77	2190									
2400	151	139	1248	1.3	15.84	6.41	1620	15.00	3370						SK 92372.1 - 71 F4/8 SK 93372.1 - 71 F4/8	22.5	49.6	
2400	170	124	1113	1.8	14.12	6.46	1640	15.00	3370									
2400	191	110	990	1.7	12.56	6.50	1650	14.85	3330									
2400	214	98,0	882	2.2	11.20	6.54	1650	14.39	3230									
2400	232	90,5	814	2.4	10.33	6.55	1660	13.98	3140									
2400	235	89,5	805	2.1	10.22	6.56	1660	14.12	3170									
2400	263	79,8	718	2.7	9.11	6.58	1660	13.43	3010									
2400	293	71,7	646	2.9	8.19	6.59	1670	12.68	2840									
2400	342	61,3	552	3.3	7.01	6.61	1620	11.98	2690									
2400	360	58,4	525	3.5	6.67	6.61	1610	11.63	2610									
2400	411	51,1	460	3.7	5.83	6.62	1550	11.01	2470									
2400	468	44,9	404	4.1	5.13	6.49	1490	10.46	2350									
2400	557	37,7	339	4.9	4.31	6.16	1410	9.77	2190									

NORDBLOC.1®
Bevel gear units

3.00 kW / 4.00 hp

TEFC



P_1		n_1	n_2	M_2		f_B	i_{tot}	F_R / F_A				F_{RVL} / F_{AVL}				Model type	📦	
[kW]	[hp]			[Nm]	[lb-in]			F_R	F_A	F_{RVL}	F_{AVL}	[kN]	[lb]	[kN]	[lb]		[kN]	[lb]
3.00	4.00	2400	55	519	4564	1.2	43.44	9.25	1840	25.00	5620					SK 92772.1 - 90 F3/8 SK 93772.1 - 90 F3/8	48.6	107.2
		2400	61	469	4130	1.3	39.32	9.48	1900	25.00	5620							
		2400	68	418	3681	1.6	35.04	9.69	1960	25.00	5620							
		2400	95	303	2662	2.1	25.34	10.06	2060	25.00	5620							
		2400	106	270	2373	2.4	22.59	10.14	2080	25.00	5620							
		2400	114	252	2221	2.5	21.14	10.18	2100	25.00	5620							
		2400	125	229	2013	2.8	19.17	10.23	2110	25.00	5620							
		2400	127	225	1979	2.8	18.84	10.24	2110	25.00	5620							
		2400	140	204	1794	3.2	17.08	10.28	2120	25.00	5620							
		2400	156	184	1620	3.4	15.42	10.31	2130	25.00	5620							
		2400	174	165	1448	3.7	13.79	10.34	2140	25.00	5620							
		2400	192	149	1313	4.0	12.50	10.36	2140	24.73	5560							
		2400	213	135	1185	4.3	11.28	10.38	2150	23.62	5310							
		2400	245	117	1031	4.9	9.81	10.40	2150	22.29	5010							
				2400	78	366	3221	0.9	30.67	7.46	1670	20.00	4500					
2400	88	326	2871	1.1	27.33	7.68	1720	20.00	4500									
2400	96	297	2613	1.2	24.88	7.82	1750	20.00	4500									
2400	120	239	2101	1.3	20.00	8.05	1800	20.00	4500									
2400	132	217	1912	1.6	18.21	8.12	1820	20.00	4500									
2400	137	208	1834	1.5	17.46	8.15	1830	20.00	4500									
2400	154	186	1635	2.0	15.56	8.21	1840	19.88	4470									
2400	167	172	1513	1.8	14.40	8.25	1850	19.59	4410									
2400	187	153	1349	2.4	12.84	8.29	1860	18.99	4270									
2400	211	136	1196	2.7	11.39	8.33	1870	18.18	4140									
2400	236	121	1067	3.0	10.16	8.36	1870	17.46	3930									
2400	255	112	987	3.2	9.39	8.37	1880	16.69	3760									
2400	288	99,5	875	3.5	8.33	8.39	1880	15.87	3570									
2400	323	88,8	781	3.9	7.44	8.40	1880	15.14	3410									
2400	359	79,8	702	4.0	6.68	8.41	1890	14.65	3290									
2400	425	67,3	593	4.6	5.64	8.43	1890	13.56	3050									
		2400	120	239	2106	0.9	20.04	5.90	1500	15.00	3370				SK 92372.1 - 90 F3/8 SK 93372.1 - 90 F3/8	26.3	58.0	
2400	191	150	1320	1.2	12.56	6.37	1610	14.06	3170									
2400	214	134	1176	1.6	11.20	6.43	1630	13.68	3080									
2400	235	122	1074	1.5	10.22	6.47	1640	13.44	3030									
2400	263	109	957	2.0	9.11	6.51	1650	12.74	2870									
2400	293	97,8	861	2.1	8.19	6.54	1650	12.03	2710									
2400	342	83,7	736	2.4	7.01	6.57	1580	11.47	2580									
2400	360	79,6	700	2.6	6.67	6.58	1570	11.12	2500									
2400	411	69,6	613	2.7	5.83	6.58	1510	10.58	2380									
2400	468	61,2	539	3.0	5.13	6.35	1460	10.09	2270									
2400	557	51,4	452	3.6	4.31	6.04	1390	9.46	2130									
2400	646	44,4	391	4.1	3.72	5.80	1330	8.97	2020									

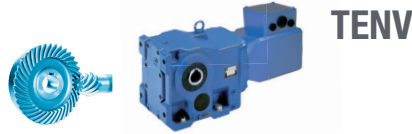
NORDBLOC.1®
Bevel gear units




P_1		n_1	n_2	M_2		f_B	i_{tot}	F_R / F_A				F_{RVL} / F_{AVL}				Model type	📦		
[kW]	[hp]			[Nm]	[lb-in]			F_R	F_A	F_{RVL}	F_{AVL}	[kN]	[lb]	[kN]	[lb]		[kN]	[lb]	[kg]
3.70	5.00	2400	55	640	5704	1.0	43.44	8.55	1620	25.00	5620								
		2400	61	579	5162	1.1	39.32	8.92	1730	25.00	5620								
		2400	68	516	4601	1.3	35.04	9.26	1830	25.00	5620								
		2400	95	373	3328	1.7	25.34	9.85	2000	25.00	5620								
		2400	106	333	2966	2.0	22.59	9.98	2040	25.00	5620								
		2400	114	311	2776	2.0	21.14	10.04	2050	25.00	5620								
		2400	125	282	2517	2.2	19.17	10.11	2070	25.00	5620								
		2400	127	277	2474	2.3	18.84	10.13	2080	25.00	5620								
		2400	140	251	2243	2.6	17.08	10.19	2090	25.00	5620								
		2400	156	227	2025	2.8	15.42	10.24	2110	25.00	5620								
		2400	174	203	1810	3.0	13.79	10.28	2120	24.78	5570								
		2400	192	184	1641	3.2	12.50	10.31	2130	24.14	5420								
		2400	213	166	1481	3.5	11.28	10.34	2140	23.03	5170								
		2400	245	144	1288	4.0	9.81	10.37	2140	21.83	4900								
		2400	271	130	1162	4.3	8.85	10.39	2150	20.70	4650								
				2400	88	402	3589	0.9	27.33	7.24	1610	20.00	4500						
				2400	96	366	3267	1.0	24.88	7.46	1660	20.00	4500						
				2400	120	294	2626	1.1	20.00	7.83	1750	19.70	4420						
				2400	132	268	2390	1.3	18.21	7.94	1780	19.40	4350						
				2400	137	257	2293	1.2	17.46	7.98	1790	19.69	4420						
		2400	154	229	2044	1.6	15.56	8.08	1810	19.15	4300								
		2400	167	212	1891	1.5	14.40	8.14	1820	18.94	4250								
		2400	187	189	1686	1.9	12.84	8.21	1840	18.39	4130								
		2400	211	168	1495	2.2	11.39	8.26	1850	17.48	3980								
		2400	236	150	1334	2.4	10.16	8.30	1860	16.90	3790								
		2400	255	138	1233	2.6	9.39	8.32	1860	16.15	3630								
		2400	288	123	1094	2.9	8.33	8.35	1870	15.39	3460								
		2400	323	109	976	3.2	7.44	8.38	1880	14.73	3310								
		2400	359	98,4	878	3.2	6.68	8.39	1880	14.31	3220								
		2400	425	83,0	741	3.7	5.64	8.33	1870	13.26	2980								
		2400	551	64,2	572	4.9	4.36	7.73	1740	12.04	2710								
		2400	191	185	1650	1.0	12.56	6.21	1570	13.38	3000								
		2400	214	165	1470	1.3	11.20	6.31	1600	13.06	2930								
		2400	235	150	1342	1.2	10.22	6.37	1610	12.77	2860								
		2400	263	134	1196	1.6	9.11	6.43	1620	12.14	2730								
		2400	293	121	1076	1.7	8.19	6.47	1600	11.47	2570								
		2400	342	103	920	1.9	7.01	6.52	1530	11.04	2480								
		2400	360	98,1	875	2.1	6.67	6.54	1530	10.68	2400								
		2400	411	85,9	766	2.2	5.83	6.43	1480	10.20	2290								
		2400	468	75,5	673	2.5	5.13	6.22	1430	9.76	2190								
		2400	557	63,4	565	2.9	4.31	5.94	1360	9.19	2060								
		2400	646	54,7	488	3.3	3.72	5.70	1310	8.74	1960								



P_1		n_1	n_2	M_2		f_B	i_{tot}	F_R / F_A				F_{RVL} / F_{AVL}				Model type	 [kg] [lb]	
[kW]	[hp]							[Nm]	[lb-in]	F_R	F_A		F_{RVL}	F_{AVL}				
		[rpm]						[kN]	[lb]	[kN]	[lb]	[kN]	[lb]	[kN]	[lb]			
0.35	0.46	2100	0.56	5946	51580	0.8	3735.92	0	4900	45	10120	28.17	8540	45	10120	SK 9053.1 - 71 N1/8	202.9	447.3
		2100	0.71	4702	40780	1.0	2953.98	17.59	6650	45	10120	34.30	8540	45	10120			
		2100	1.0	3220	27930	1.5	2023.49	25.47	7880	45	10120	38.00	8540	45	10120			
		2100	1.1	2983	25880	1.6	1872.50	26.29	8020	45	10120	38.00	8540	45	10120			
		2100	2.3	1482	12850	3.2	931.87	29.75	8540	45	10120	38.00	8540	45	10120			
		2100	3.0	1120	9715	3.6	703.83	30.20	8540	45	10120	38.00	8540	45	10120			
2100	0.99	2100	0.99	3388	29390	0.8	2128.35	7.44	1770	40	8990	18.30	4200	40	8990	SK 9043.1 - 71 N1/8	124.9	275.4
		2100	1.4	2414	20940	1.2	1517.17	12.40	2840	40	8990	23.08	5240	40	8990			
		2100	1.9	1773	15380	1.6	1113.24	14.79	3350	40	8990	25.72	5820	40	8990			
		2100	2.4	1404	12180	2.0	881.60	15.92	3600	40	8990	27.08	6110	40	8990			
		2100	3.3	1026	8901	2.7	645.18	16.90	3810	40	8990	28.00	6300	40	8990			
		2100	3.7	904	7839	3.1	568.04	17.23	3890	40	8990	28.00	6300	40	8990			
2100	3.0	2100	3.0	1101	9550	1.4	691.55	8.06	1850	14.5	3260	15	3370	26.73	6030	SK 9033.1 - 71 N1/8	70.9	156.3
		2100	3.9	858	7440	1.8	539.10	9.54	2170	14.5	3260	15	3370	25.52	5760			
		2100	5.3	636	5514	2.4	398.77	10.72	2430	14.5	3260	15	3370	23.98	5400			
		2100	5.9	562	4873	2.8	352.25	11.09	2510	14.5	3260	15	3370	23.33	5260			
		2100	7.8	426	3697	3.6	267.65	11.71	2640	14.5	3260	15	3370	21.88	4930			
		2100	9.8	342	2970	4.5	214.83	12.07	2720	14.5	3260	15	3370	20.73	4670			
2100	7.1	2100	7.1	471	4088	3.3	295.85	11.51	2600	14.5	3260	15	3370	22.41	5050	SK 9032.1 - 71 N1/8	62.9	138.7
		2100	8.4	398	3452	3.9	249.72	11.82	2670	14.5	3260	15	3370	21.49	4840			
		2100	9.0	373	3232	4.2	233.92	11.95	2690	14.5	3260	15	3370	21.18	4770			
		2100	11	315	2729	4.9	197.45	12.18	2740	14.5	3260	15	3370	20.28	4570			
2100	3.7	2100	3.7	895	7765	1.0	561.55	0	0	12	2700	7.81	2160	22.92	5170	SK 9023.1 - 71 N1/8	47.9	105.6
		2100	4.4	753	6532	1.1	472.43	0	0	12	2700	9.45	2490	22.17	5000			
		2100	6.2	541	4690	1.6	339.41	6.94	1800	12	2700	11.06	2700	20.95	4720			
		2100	7.1	474	4110	1.8	297.67	7.51	1910	12	2700	11.43	2700	20.39	4600			
		2100	9.2	364	3161	1.8	228.47	8.21	2060	12	2700	11.90	2700	19.25	4340			
2100	9.6	2100	9.6	349	3028	2.5	219.25	8.29	2080	12	2700	11.96	2700	19.06	4300	SK 9022.1 - 71 N1/8	42.9	94.6
		2100	11	294	2547	2.9	184.46	8.55	2130	12	2700	12	2700	18.26	4110			
		2100	12	270	2345	3.2	169.81	8.64	2150	12	2700	12	2700	17.95	4040			
		2100	15	219	1900	3.9	137.57	8.81	2190	12	2700	12	2700	17.04	3840			
		2100	18	184	1598	4.7	115.74	8.91	2210	12	2700	12	2700	16.28	3670			
2100	5.7	2100	5.7	585	5077	1.0	367.33	6.23	1410	20	4500	9	2020	20	4500	SK 9017.1 - 71 N1/8	40.9	90.2
		2100	7.8	426	3699	1.4	267.99	7.03	1590	20	4500	9	2020	20	4500			
		2100	8.9	376	3257	1.6	235.64	7.25	1640	20	4500	9	2020	20	4500			
		2100	12	284	2460	2.0	177.89	7.63	1720	20	4500	9	2020	20	4500			
		2100	16	214	1856	2.0	134.32	7.89	1780	20	4500	9	2020	20	4500			
2100	10	2100	10	328	2844	1.9	205.93	7.45	1680	20	4500	9	2020	20	4500	SK 9016.1 - 71 N1/8	35.9	79.1
		2100	11	291	2528	2.1	183.10	7.60	1710	20	4500	9	2020	20	4500			
		2100	14	238	2069	2.6	149.81	7.78	1750	20	4500	9	2020	20	4500			
		2100	15	227	1967	2.7	142.41	7.84	1770	20	4500	9	2020	20	4500			
		2100	18	185	1609	3.3	116.52	7.97	1790	20	4500	9	2020	20	4500			
		2100	23	146	1269	3.4	91.77	8.12	1830	20	4500	9	2020	20	4500			
		2100	26	130	1124	4.6	81.38	8.17	1840	20	4500	9	2020	20	4500			




P_1		n_1	n_2	M_2		f_B	i_{tot}	F_R / F_A				F_{RVL} / F_{AVL}				Model type	 [kg] [lb]						
[kW]	[hp]							[Nm]	[lb-in]	F_R	F_A	F_{RVL}	F_{AVL}	[kN]	[lb]				[kN]	[lb]	[kN]	[lb]	
0.35	0.46	2100	6.5	510	4427	0.8	320.60	0	850	20	4500	7.03	2020	20	4500	SK 9013.1 - 71 N1/8	39.9	88.0					
		2100	7.4	449	3899	0.9	281.92	0.75	1350	20	4500	7.70	2020	20	4500								
		2100	9.8	339	2944	1.2	212.83	5.47	1590	20	4500	8.60	2020	20	4500								
		2100	12	284	2460	1.4	177.88	5.98	1680	20	4500	8.93	2020	20	4500								
		2100	15	226	1956	1.8	141.29	6.38	1750	20	4500	9.00	2020	20	4500								
	2100	8.5	392	3404	1.0	246.37	4.38	1490	20	4500	8.21	2020	20	4500	SK 9012.1 - 71 N1/8	34.9	76.9						
		2100	10	328	2844	1.2	205.93	5.59	1610	20	4500	8.67	2020	20				4500					
		2100	11	291	2528	1.4	183.10	5.92	1670	20	4500	8.89	2020	20				4500					
		2100	17	197	1708	2.0	123.48	6.54	1780	20	4500	9.00	2020	20				4500					
		2100	19	175	1518	2.3	109.79	6.64	1800	20	4500	9.00	2020	20				4500					
		2100	22	155	1345	2.6	97.36	6.73	1810	20	4500	9.00	2020	20				4500					
		2100	24	137	1189	2.9	86.00	6.79	1820	20	4500	9.00	2020	20				4500					
		2100	27	122	1059	3.3	76.53	6.84	1830	20	4500	9.00	2020	20				4500					
		2100	33	99.9	866	4.0	62.74	6.9	1840	20	4500	9.00	2020	20				4500					
		2100	38	87.9	763	4.5	55.17	6.93	1850	20	4500	9.00	2020	20				4500					
		0.70	0.95	2100	1.1	5966	53440	0.8	1872.50	0	4470	45	10120	28.04				8540	45	10120	SK 9053.1 - 71 N2/8	204.0	449.7
				2100	1.5	4456	39910	1.1	1398.80	19.35	6750	45	10120	35.24				8540	45	10120			
				2100	2.0	3380	30280	1.4	1062.85	24.86	7700	45	10120	38.00				8540	45	10120			
2100	2.3			2964	26550	1.6	931.87	26.35	7970	45	10120	38.00	8540	45	10120								
2100	3.0			2240	20060	1.8	703.83	28.34	8350	45	10120	38.00	8540	45	10120								
2100	3.6			1848	16550	2.6	579.95	29.15	8500	45	10120	38.00	8540	45	10120								
2100	4.6			1461	13090	3.3	458.57	29.78	8540	45	10120	38.00	8540	45	10120								
2100	6.0			1110	9946	4.3	348.91	30.21	8540	45	10120	38.00	8540	45	10120								
2100	1.9		3545	31760	0.8	1113.24	6.41	1380	40	8990	17.43	3870	40.00	8990	SK 9043.1 - 71 N2/8	126.0	277.8						
	2100		2.4	2809	25160	1.0	881.60	10.63	2350	40	8990	21.26	4750	39.73				8900					
	2100		3.3	2052	18380	1.4	645.18	13.73	3070	40	8990	24.47	5480	37.83				8480					
	2100		3.7	1808	16190	1.5	568.04	14.67	3280	40	8990	25.59	5740	37.28				8360					
	2100		6.0	1115	9991	2.5	350.72	16.71	3750	40	8990	28.00	6300	33.95				7620					
	2100		7.5	888	7954	3.2	279.60	17.27	3880	40	8990	28.00	6300	32.29				7250					
	2100		10	650	5820	4.3	204.38	17.80	4000	40	8990	28.00	6300	30.01				6740					
2100	3.9		1715	15370	0.9	539.10	0	0	14.5	3260	12.43	2770	21.75	4870	SK 9033.1 - 71 N2/8	72.0	158.7						
	2100		5.3	1271	11390	1.2	398.77	6.89	1530	14.5	3260	14.93	3340	21.19				4750					
	2100		5.9	1124	10070	1.4	352.25	7.91	1760	14.5	3260	15.00	3370	20.86				4680					
	2100		7.8	852	7635	1.8	267.65	9.57	2140	14.5	3260	15.00	3370	20.00				4490					
	2100		9.8	685	6133	2.3	214.83	10.47	2350	14.5	3260	15.00	3370	19.23				4320					
	2100		13	533	4778	2.9	167.45	11.22	2520	14.5	3260	15.00	3370	18.29				4110					
2100	7.1		943	8442	1.6	295.85	9.05	2020	14.5	3260	15.00	3370	20.33	4560	SK 9032.1 - 71 N2/8	64.0	141.1						
	2100		8.4	796	7128	1.9	249.72	9.85	2200	14.5	3260	15.00	3370	19.72				4420					
	2100		9.0	745	6675	2.1	233.92	10.16	2270	14.5	3260	15.00	3370	19.54				4380					
	2100	11	629	5636	2.5	197.45	10.73	2400	14.5	3260	15.00	3370	18.88	4240									
	2100	19	353	3163	4.4	110.77	12.03	2700	14.5	3260	15.00	3370	16.68	3750									

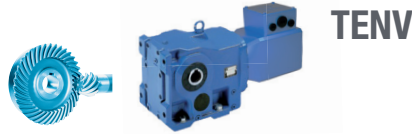
0.70 kW / 0.95 hp
1.05 kW / 1.40 hp


TENV



P ₁		n ₁	n ₂	M ₂		f _B	i _{tot}	F _R /F _A				F _{RVL} /F _{AVL}				Model type	 [kg] [lb]				
								F _R		F _A		F _{RVL}		F _{AVL}							
[kW]	[hp]	[rpm]	[Nm]	[lb-in]				[kN]	[lb]	[kN]	[lb]	[kN]	[lb]	[kN]	[lb]						
0.70	0.95	2100	9.6	698	6254	1.2	219.25	3.09	530	12	2700	9.94	2550	17.15	3850	SK 9022.1 - 71 N2/8	44.0	97.0			
		2100	11	587	5261	1.5	184.46	6.47	1660	12	2700	10.77	2700	16.60	3720						
		2100	12	541	4844	1.6	169.81	6.94	1760	12	2700	11.06	2700	16.46	3690						
		2100	15	438	3924	2.0	137.57	7.77	1950	12	2700	11.60	2700	15.84	3550						
		2100	18	369	3301	2.3	115.74	8.19	2040	12	2700	11.89	2700	15.24	3420						
		2100	21	315	2820	2.7	98.88	8.46	2100	12	2700	12	2700	14.79	3320						
		2100	25	271	2430	3.2	85.11	8.64	2140	12	2700	12	2700	14.31	3210						
		2100	27	251	2248	3.4	78.89	8.71	2160	12	2700	12	2700	14.06	3160						
		2100	32	212	1895	4.1	66.42	8.83	2190	12	2700	12	2700	13.50	3030						
		2100	36	185	1661	4.6	58.25	8.91	2210	12	2700	12	2700	13.08	2940						
		2100	10	656	5874	0.9	205.93	5.23	1100	20	4500	9	2020	20	4500				SK 9016.1 - 71 N2/8	37.0	81.6
		2100	11	583	5222	1.0	183.10	6.24	1390	20	4500	9	2020	20	4500						
		2100	14	477	4272	1.3	149.81	6.74	1510	20	4500	9	2020	20	4500						
		2100	15	453	4061	1.3	142.41	6.90	1540	20	4500	9	2020	20	4500						
		2100	18	371	3323	1.6	116.52	7.23	1620	20	4500	9	2020	20	4500						
		2100	23	292	2620	1.7	91.77	7.60	1700	20	4500	9	2020	20	4500						
		2100	26	259	2321	2.3	81.38	7.72	1730	20	4500	9	2020	20	4500						
		2100	29	229	2051	2.6	71.88	7.83	1760	20	4500	9	2020	20	4500						
		2100	33	204	1827	3.0	63.97	7.92	1780	20	4500	9	2020	20	4500						
		2100	40	167	1494	3.7	52.44	8.05	1810	20	4500	9	2020	20	4500						
2100	45	147	1316	4.2	46.11	8.12	1820	20	4500	9	2020	20	4500								
2100	51	130	1165	4.6	40.92	8.17	1830	20	4500	9	2020	20	4500								
2100	17	394	3527	1.0	123.48	4.33	1460	20	4500	8.20	2020	20	4500	SK 9012.1 - 71 N2/8	36.0	79.4					
2100	19	350	3136	1.1	109.79	5.35	1550	20	4500	8.52	2020	20	4500								
2100	22	310	2778	1.3	97.36	5.75	1630	20	4500	8.78	2020	20	4500								
2100	24	274	2455	1.5	86.00	6.05	1680	20	4500	8.98	2020	20	4500								
2100	27	244	2186	1.6	76.53	6.27	1720	20	4500	9.00	2020	20	4500								
2100	33	200	1789	2.0	62.74	6.53	1770	20	4500	9.00	2020	20	4500								
2100	38	176	1575	2.3	55.17	6.64	1790	20	4500	9.00	2020	20	4500								
2100	43	156	1395	2.6	48.95	6.73	1810	20	4500	9.00	2020	20	4500								
2100	50	133	1190	3.0	41.65	6.81	1820	20	4500	9.00	2020	20	4500								
2100	60	111	994	3.6	34.81	6.87	1840	19.47	4370	9.00	2020	19.47	4370								
2100	67	100	897	4.0	31.45	6.90	1840	18.98	4260	9.00	2020	18.98	4260								
2100	76	88.2	790	4.5	27.65	6.93	1850	18.35	4120	9.00	2020	18.35	4120								
1.05	1.40	2100	2.0	5070	44620	0.9	1062.85	14.32	6130	45	10120	32.75	8540	45	10120	SK 9053.1 - 71 N3/8	205.0	451.9			
		2100	2.3	4446	39120	1.1	931.87	19.42	6840	45	10120	35.27	8540	45	10120						
		2100	3.0	3360	29570	1.2	703.83	24.94	7750	45	10120	38.00	8540	45	10120						
		2100	3.6	2772	24390	1.7	579.95	26.95	8110	45	10120	38.00	8540	45	10120						
		2100	4.6	2192	19290	2.2	458.57	28.45	8380	45	10120	38.00	8540	45	10120						
		2100	6.0	1666	14660	2.9	348.91	29.47	8540	45	10120	38.00	8540	45	10120						
		2100	7.9	1264	11120	3.8	265.11	30.04	8540	45	10120	38.00	8540	45	10120						
		2100	9.2	1093	9621	4.4	229.07	30.23	8540	45	10120	38.00	8540	45	10120						

Bevel gear units




P_1		n_1	n_2	M_2		f_B	i_{tot}	F_R / F_A				F_{RVL} / F_{AVL}				Model type	 [kg] [lb]				
[kW]	[hp]							[Nm]	[lb-in]	F_R	F_A	F_{RVL}	F_{AVL}	[kN]	[lb]				[kN]	[lb]	
1.05	1.40	2100	3.3	3078	27090	0.9	645.18	9.13	2070	40.0	8990	19.72	4460	33.82	7620	SK 9043.1 - 71 N3/8	127.0	280.0			
		2100	3.7	2711	23860	1.0	568.04	11.09	2510	40.0	8990	21.72	4900	33.86	7630						
		2100	6.0	1673	14720	1.7	350.72	15.11	3410	40.0	8990	26.10	5880	31.84	7170						
		2100	7.5	1332	11720	2.1	279.60	16.13	3630	40.0	8990	27.33	6150	30.61	6890						
		2100	10	975	8577	2.9	204.38	17.06	3840	40.0	8990	28.00	6300	28.77	6470						
		2100	12	822	7230	3.4	172.08	17.42	3920	40.0	8990	28.00	6300	27.73	6240						
2100	5.3	1907	16780	0.8	398.77	0	0	14.5	3260	11.26	2550	18.39	4150	SK 9033.1 - 71 N3/8	73.0	160.9					
		2100	5.9	1685	14830	0.9	352.25	0	0	14.5	3260	12.61	2850				18.39	4140			
		2100	7.8	1279	11250	1.2	267.65	6.84	1550	14.5	3260	14.89	3360				18.13	4080			
		2100	9.8	1027	9039	1.5	214.83	8.53	1930	14.5	3260	15.00	3370				17.72	3990			
		2100	13	800	7042	1.9	167.45	9.86	2220	14.5	3260	15.00	3370				17.12	3850			
2100	7.1	1414	12440	1.1	295.85	5.82	1320	14.5	3260	14.16	3190	18.26	4110	SK 9032.1 - 71 N3/8	65.0	143.3					
		2100	8.4	1194	10510	1.3	249.72	7.39	1670	14.5	3260	15.00	3370				17.94	4040			
		2100	9.0	1118	9837	1.4	233.92	7.95	1800	14.5	3260	15.00	3370				17.90	4030			
		2100	11	944	8306	1.6	197.45	9.00	2030	14.5	3260	15.00	3370				17.47	3930			
		2100	19	530	4661	2.9	110.77	11.24	2530	14.5	3260	15.00	3370				15.9	3580			
		2100	22	447	3936	3.5	93.50	11.60	2610	14.5	3260	15.00	3370				15.34	3450			
		2100	25	402	3536	3.9	84.17	11.82	2660	14.5	3260	15.00	3370				15.02	3380			
		2100	28	363	3190	4.3	75.91	11.99	2700	14.5	3260	15.00	3370				14.68	3300			
		2100	9.6	1047	9216	0.8	219.25	0	0	12	2700	0	0				15.23	3430	SK 9022.1 - 71 N3/8	45.0	99.2
				2100	11	881	7752	1.0	184.46	0	0	12	2700				8.00	2170			
2100	12			811	7138	1.1	169.81	0	0	12	2700	8.85	2340	14.98	3370						
2100	15			657	5783	1.3	137.57	5.18	1400	12	2700	10.27	2640	14.64	3300						
2100	18			553	4864	1.6	115.74	6.83	1760	12	2700	10.99	2700	14.20	3200						
2100	21			472	4156	1.8	98.88	7.52	1900	12	2700	11.43	2700	13.93	3140						
2100	25			407	3581	2.1	85.11	7.97	2000	12	2700	11.73	2700	13.57	3050						
2100	27			376	3313	2.3	78.89	8.15	2040	12	2700	11.85	2700	13.37	3010						
2100	32			317	2793	2.7	66.42	8.44	2110	12	2700	12	2700	12.92	2910						
2100	36			278	2447	3.1	58.25	8.61	2140	12	2700	12	2700	12.57	2830						
2100	40			249	2189	3.5	52.02	8.72	2170	12	2700	12	2700	12.27	2760						
2100	43			234	2058	3.7	49.01	8.77	2180	12	2700	12	2700	12.06	2710						
2100	47			214	1882	4.0	44.71	8.83	2190	12	2700	12	2700	11.85	2670						
2100	53			190	1668	4.5	39.77	8.89	2180	12	2700	12	2700	11.52	2590						
2100	14	715	6296	0.9	149.81	1.39	300	20	4500	9	2020	20	4500	SK 9016.1 - 71 N3/8	38.0	83.8					
		2100	15	680	5985	0.9	142.41	4.16	960	20	4500	9	2020				20	4500			
		2100	18	556	4897	1.1	116.52	6.33	1430	20	4500	9	2020				20	4500			
		2100	23	439	3861	1.1	91.77	6.97	1570	20	4500	9	2020				20	4500			
		2100	26	389	3420	1.5	81.38	7.20	1620	20	4500	9	2020				20	4500			
		2100	29	344	3023	1.7	71.88	7.39	1660	20	4500	9	2020				20	4500			
		2100	33	306	2692	2.0	63.97	7.54	1700	20	4500	9	2020				20	4500			
		2100	40	250	2202	2.4	52.44	7.76	1740	20	4500	9	2020				20	4500			
		2100	45	220	1940	2.8	46.11	7.87	1770	20	4500	9	2020				20	4500			

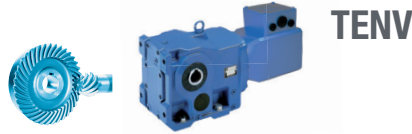
1.05 kW / 1.40 hp
1.10 kW / 1.50 hp


TENV



P ₁		n ₁	n ₂	M ₂		f _B	i _{tot}	F _R /F _A				F _{RVL} /F _{AVL}				Model type	 [kg] [lb]							
								F _R	F _A	F _{RVL}	F _{AVL}	F _R	F _A	F _{RVL}	F _{AVL}									
[kW]	[hp]	[rpm]		[Nm]	[lb-in]			[kN]	[lb]	[kN]	[lb]	[kN]	[lb]	[kN]	[lb]									
1.05	1.40	2100	51	195	1717	3.1	40.92	7.95	1790	19.62	4410	9	2020	19.62	4410	SK 9016.1 - 71 N3/8	38.0	83.8						
		2100	60	166	1465	3.6	34.81	8.05	1810	18.90	4250	9	2020	18.90	4250									
		2100	69	145	1279	4.1	30.52	8.12	1830	18.30	4120	9	2020	18.30	4120									
		2100	80	126	1105	4.8	26.29	8.18	1840	17.65	3970	9	2020	17.65	3970									
		2100	91	111	973	4.7	23.11	8.23	1850	17.09	3840	9	2020	17.09	3840									
			2100	19	525	4621	0.8	109.79	0	530	20	4500	6.84	2020	20	4500	SK 9012.1 - 71 N3/8	37.0	81.6					
			2100	22	465	4094	0.9	97.36	0	1200	20	4500	7.54	2020	20	4500								
			2100	24	411	3618	1.0	86.00	3.66	1440	20	4500	8.05	2020	20	4500								
			2100	27	366	3222	1.1	76.53	5.17	1530	20	4500	8.41	2020	20	4500								
			2100	33	300	2636	1.3	62.74	5.85	1650	20	4500	8.84	2020	20	4500								
			2100	38	264	2322	1.5	55.17	6.13	1700	20	4500	9	2020	20	4500								
			2100	43	234	2056	1.7	48.95	6.33	1740	20	4500	9	2020	20	4500								
			2100	50	199	1753	2.0	41.65	6.53	1770	19.76	4440	9	2020	19.76	4440								
			2100	60	166	1465	2.4	34.81	6.68	1800	18.90	4250	9	2020	18.90	4250								
			2100	67	150	1323	2.7	31.45	6.75	1810	18.48	4160	9	2020	18.48	4160								
			2100	76	132	1165	3.0	27.65	6.81	1830	17.91	4030	9	2020	17.91	4030								
			2100	86	117	1031	3.4	24.53	6.86	1830	17.37	3910	9	2020	17.37	3910								
			2100	100	99.9	880	4.0	20.87	6.90	1840	16.68	3750	9	2020	16.68	3750								
			2100	120	83.5	735	4.6	17.45	6.94	1850	15.90	3580	9	2020	15.90	3580								
			2100	171	58.6	515	3.8	12.23	6.98	1860	14.38	3230	9	2020	14.38	3230								
2100	193	51.9	456	3.9	10.85	6.99	1860	13.92	3130	9	2020	13.92	3130											
2100	227	44.2	389	4.4	9.23	7.00	1860	13.33	3000	9	2020	13.33	3000											
2100	260	38.6	340	4.7	8.09	7.00	1860	12.84	2890	9	2020	12.84	2890											
1.10	1.50	2100	9.8	1076	9684	1.4	214.83	8.22	1820	14.5	3260	15	3370	17.51	3920	SK 9033.1 - 90 N1/8	76.0	167.6						
		2100	13	838	7545	1.8	167.45	9.65	2150	14.5	3260	15	3370	16.95	3800									
			2100	15	688	6196	1.2	137.57	3.71	710	12	2700	10.02	2560	14.46	3240	SK 9022.1 - 90 N1/8	48.0	105.8					
			2100	18	579	5212	1.5	115.74	6.56	1670	12	2700	10.83	2700	14.05	3150								
			2100	27	394	3550	2.2	78.89	8.04	2010	12	2700	11.78	2700	13.27	2980								
			2100	32	332	2992	2.6	66.42	8.37	2080	12	2700	12	2700	12.84	2880								
			2100	36	291	2622	3.0	58.25	8.56	2120	12	2700	12	2700	12.50	2800								
			2100	40	261	2346	3.3	52.02	8.68	2150	12	2700	12	2700	12.20	2740								
			2100	43	245	2205	3.5	49.01	8.73	2160	12	2700	12	2700	12.00	2690								
			2100	47	224	2017	3.8	44.71	8.80	2180	12	2700	12	2700	11.80	2650								
			2100	53	199	1787	4.3	39.77	8.87	2160	12	2700	12	2700	11.48	2580								
					2100	33	320	2884	1.9	63.97	7.48	1680	20	4500	9	2020				20.00	4500	SK 9016.1 - 90 N1/8	41.0	90.4
					2100	40	262	2360	2.3	52.44	7.71	1730	20	4500	9	2020				20.00	4500			
					2100	45	231	2078	2.6	46.11	7.83	1760	20	4500	9	2020				20.00	4500			
					2100	51	204	1840	2.9	40.92	7.92	1780	19.52	4380	9	2020				19.52	4380			
	2100	60			174	1569	3.4	34.81	8.03	1800	18.82	4220	9	2020	18.82	4220								
	2100	69			152	1370	3.9	30.52	8.10	1820	18.22	4090	9	2020	18.22	4090								
	2100	80			132	1184	4.6	26.29	8.17	1830	17.59	3950	9	2020	17.59	3950								
	2100	91			116	1043	4.5	23.11	8.21	1840	17.04	3830	9	2020	17.04	3830								

Bevel gear units



P_1		n_1	n_2	M_2		f_B	i_{tot}	F_R / F_A				F_{RVL} / F_{AVL}				Model type	 [kg] [lb]						
[kW]	[hp]							[rpm]	[Nm]	[lb-in]	F_R	F_A	F_{RVL}	F_{AVL}	[kN]				[lb]	[kN]	[lb]		
1.10	1.50	2100	27	384	3452	1.0	76.53	4.68	1480	20.00	4500	8.28	2020	20.00	4500	SK 9012.1 - 90 N1/8	40.0	88.2					
		2100	33	314	2824	1.3	62.74	5.72	1620	20.00	4500	8.76	2020	20.00	4500								
		2100	38	276	2488	1.4	55.17	6.04	1680	20.00	4500	8.97	2020	20.00	4500								
		2100	43	245	2203	1.6	48.95	6.26	1720	20.00	4500	9	2020	20.00	4500								
		2100	50	209	1878	1.9	41.65	6.48	1760	19.66	4410	9	2020	19.66	4410								
		2100	60	174	1569	2.3	34.81	6.65	1790	18.82	4220	9	2020	18.82	4220								
		2100	67	157	1417	2.5	31.45	6.72	1810	18.41	4130	9	2020	18.41	4130								
		2100	76	139	1248	2.9	27.65	6.79	1820	17.85	4010	9	2020	17.85	4010								
		2100	86	123	1105	3.3	24.53	6.84	1830	17.32	3890	9	2020	17.32	3890								
		2100	100	105	942	3.8	20.87	6.89	1840	16.63	3740	9	2020	16.63	3740								
		2100	120	87.5	787	4.3	17.45	6.93	1850	15.86	3560	9	2020	15.86	3560								
		2100	138	76.4	687	5.0	15.30	6.95	1850	15.30	3440	9	2020	15.30	3440								
		2100	171	61.4	552	3.6	12.23	6.98	1860	14.34	3220	9	2020	14.34	3220								
		2100	193	54.3	489	3.7	10.85	6.99	1860	13.89	3120	9	2020	13.89	3120								
		2100	227	46.3	417	4.2	9.23	7.00	1860	13.30	2990	9	2020	13.30	2990								
		2100	260	40.5	364	4.4	8.09	7.00	1860	12.82	2880	9	2020	12.82	2880								
1.50	2.00	2100	15	939	8261	0.9	137.57	0	0	12	2700	7.16	2000	13.09	2950	SK 9022.1 - 90 N2/8	48.8	107.6					
		2100	18	790	6949	1.1	115.74	0	0	12	2700	9.08	2390	12.86	2900								
		2100	27	538	4733	1.6	78.89	6.97	1790	12	2700	11.08	2700	12.48	2810								
		2100	32	453	3990	1.9	66.42	7.66	1930	12	2700	11.53	2700	12.18	2740								
		2100	36	397	3496	2.2	58.25	8.03	2010	12	2700	11.77	2700	11.91	2680								
		2100	40	355	3128	2.4	52.02	8.26	2070	12	2700	11.93	2700	11.68	2630								
		2100	43	334	2941	2.6	49.01	8.37	2090	12	2700	12	2700	11.49	2590								
		2100	47	306	2689	2.8	44.71	8.50	2120	12	2700	12	2700	11.35	2550								
		2100	53	271	2383	3.2	39.77	8.64	2070	12	2700	12	2700	11.08	2490								
		2100	63	227	1997	3.8	33.26	8.79	1980	12	2700	12	2700	10.63	2390								
		2100	67	214	1887	3.8	31.38	8.72	1960	12	2700	12	2700	10.54	2370								
		2100	72	199	1754	4.3	29.20	8.57	1930	12	2700	12	2700	10.37	2330								
		2100	80	178	1569	4.8	26.07	8.35	1880	12	2700	12	2700	10.11	2270								
		1.50	2.00	2100	33	437	3845	1.4	63.97	6.98	1570	20	4500	9	2020				20.00	4500	SK 9016.1 - 90 N2/8	41.8	92.2
				2100	40	358	3146	1.7	52.44	7.33	1650	19.63	4420	9	2020				19.63	4420			
				2100	45	315	2771	1.9	46.11	7.51	1690	19.20	4320	9	2020				19.20	4320			
				2100	51	279	2453	2.2	40.92	7.65	1720	18.76	4220	9	2020				18.76	4220			
				2100	60	238	2092	2.5	34.81	7.80	1750	18.17	4090	9	2020				18.17	4090			
				2100	69	208	1827	2.9	30.52	7.91	1780	17.66	3970	9	2020				17.66	3970			
				2100	80	179	1578	3.3	26.29	8.01	1800	17.10	3850	9	2020				17.10	3850			
2100	91			158	1390	3.3	23.11	8.08	1820	16.61	3740	9	2020	16.61	3740								
2100	102			140	1231	4.1	20.51	8.14	1830	16.14	3630	9	2020	16.14	3630								
2100	120			119	1050	4.5	17.45	8.20	1840	15.53	3490	9	2020	15.53	3490								
2100	138			104	917	5.0	15.10	8.25	1850	15.02	3380	9	2020	15.02	3380								
1.50	2.00			2100	27	523	4603	0.8	76.53	0	570	20.00	4500	6.87	2020	20.00	4500	SK 9012.1 - 90 N2/8	40.8	89.9			
		2100	33	428	3766	0.9	62.74	2.81	1390	20.00	4500	7.90	2020	20.00	4500								
		2100	38	377	3317	1.1	55.17	4.88	1510	19.90	4480	8.33	2020	19.90	4480								
		2100	43	334	2937	1.2	48.95	5.53	1600	19.48	4380	8.63	2020	19.48	4380								

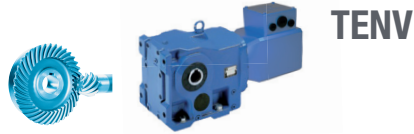
1.50 kW / 2.00 hp
2.20 kW / 3.00 hp


TENV



P ₁		n ₁	n ₂	M ₂		f _B	i _{tot}	F _R / F _A				F _{RVL} / F _{AVL}				Model type	📦	
[kW]	[hp]			[Nm]	[lb-in]			F _R	F _A	F _{RVL}	F _{AVL}	[kN]	[lb]	[kN]	[lb]		[kN]	[lb]
1.50	2.00	2100	50	285	2505	1.4	41.65	5.97	1670	18.91	4250	8.92	2020	18.91	4250	SK 9012.1 - 90 N2/8	40.8	89.9
		2100	60	238	2092	1.7	34.81	6.31	1730	18.17	4090	9.00	2020	18.17	4090			
		2100	67	215	1889	1.9	31.45	6.45	1760	17.84	4010	9.00	2020	17.84	4010			
		2100	76	189	1664	2.1	27.65	6.58	1780	17.35	3900	9.00	2020	17.35	3900			
		2100	86	167	1473	2.4	24.53	6.68	1800	16.87	3800	9.00	2020	16.87	3800			
		2100	100	143	1256	2.8	20.87	6.77	1820	16.26	3660	9.00	2020	16.26	3660			
		2100	120	119	1050	3.2	17.45	6.85	1830	15.53	3490	9.00	2020	15.53	3490			
		2100	138	104	917	3.6	15.30	6.89	1840	15.02	3380	9.00	2020	15.02	3380			
		2100	171	83.7	736	2.6	12.23	6.94	1850	14.08	3170	9.00	2020	14.08	3170			
		2100	193	74.1	652	2.7	10.85	6.96	1850	13.66	3070	9.00	2020	13.66	3070			
		2100	227	63.2	556	3.1	9.23	6.97	1860	13.11	2950	9.00	2020	13.11	2950			
		2100	260	55.2	485	3.3	8.09	6.99	1860	12.65	2840	9.00	2020	12.65	2840			
2.20	3.00	2100	27	789	7099	1.1	78.89	0	0	12	2700	9.09	2350	11.10	2480	SK 9022.1 - 90 N3/8	51.2	112.9
		2100	32	665	5985	1.3	66.42	4.86	1120	12	2700	10.21	2600	11.01	2460			
		2100	36	583	5244	1.5	58.25	6.52	1660	12	2700	10.80	2700	10.90	2440			
		2100	40	521	4691	1.6	52.02	7.12	1800	12	2700	11.17	2700	10.77	2410			
		2100	43	490	4411	1.8	49.01	7.38	1860	12	2700	11.34	2700	10.61	2380			
		2100	47	448	4034	1.9	44.71	7.70	1910	12	2700	11.55	2700	10.57	2370			
		2100	53	397	3574	2.2	39.77	8.03	1880	12	2700	11.77	2700	10.38	2330			
		2100	63	333	2996	2.6	33.26	8.12	1820	12	2700	12	2700	10.03	2250			
		2100	67	314	2830	2.6	31.38	8.10	1810	12	2700	12	2700	9.99	2240			
		2100	72	292	2631	2.9	29.20	7.99	1790	12	2700	12	2700	9.86	2210			
		2100	80	262	2354	3.3	26.07	7.83	1750	12	2700	12	2700	9.65	2160			
		2100	85	246	2213	3.5	24.56	7.69	1720	12	2700	12	2700	9.49	2130			
		2100	93	225	2024	3.5	22.41	7.59	1700	12	2700	12	2700	9.36	2100			
		2100	105	199	1793	3.8	19.93	7.40	1660	12	2700	12	2700	9.12	2050			
		2100	120	175	1578	4.1	17.52	7.08	1590	12	2700	12	2700	8.77	1970			
		2100	129	163	1467	3.8	16.30	6.97	1560	11.86	2660	12	2700	8.63	1940			
		2100	144	146	1312	4.0	14.56	6.79	1520	11.55	2590	12	2700	8.42	1890			
		2100	168	125	1128	4.3	12.51	6.55	1470	11.13	2500	12	2700	8.13	1830			
		2100	189	111	1000	4.7	11.13	6.35	1420	10.78	2420	12	2700	7.90	1770			
		2.20	3.00	2100	33	641	5768	1.0	63.97	5.78	1220	18.19	4060	9	2020			
2100	40			524	4719	1.2	52.44	6.55	1460	17.93	4010	9	2020	17.93	4010			
2100	45			462	4156	1.3	46.11	6.86	1530	17.70	3960	9	2020	17.70	3960			
2100	51			409	3680	1.5	40.92	7.11	1590	17.44	3900	9	2020	17.44	3900			
2100	60			349	3139	1.7	34.81	7.37	1650	17.04	3820	9	2020	17.04	3820			
2100	69			305	2741	2.0	30.52	7.55	1690	16.67	3740	9	2020	16.67	3740			
2100	80			263	2368	2.3	26.29	7.71	1730	16.25	3640	9	2020	16.25	3640			
2100	91			232	2085	2.2	23.11	7.83	1760	15.86	3560	9	2020	15.86	3560			
2100	102			205	1846	2.8	20.51	7.92	1780	15.48	3470	9	2020	15.48	3470			
2100	120			175	1575	3.1	17.45	8.02	1800	14.96	3360	9	2020	14.96	3360			
2100	138			153	1375	3.4	15.10	8.10	1820	14.52	3260	9	2020	14.52	3260			
2100	168			125	1125	4.2	12.51	8.17	1840	13.81	3100	9	2020	13.81	3100			
2.20	3.00	2100	43	489	4405	0.8	48.95	0	880	17.93	4010	7.28	2020	17.93	4010	SK 9016.1 - 90 N3/8	44.2	97.4
		2100	50	417	3757	1.0	41.65	3.37	1400	17.58	3940	8.00	2020	17.58	3940			

Bevel gear units



P_1		n_1 n_2		M_2		f_B	i_{tot}	F_R / F_A				F_{RVL} / F_{AVL}				Model type		
[kW]	[hp]	[rpm]	[rpm]	[Nm]	[lb-in]			F_R	F_A	F_R	F_A	F_{RVL}	F_{AVL}	F_{RVL}	F_{AVL}		[kg]	[lb]
								[kN]	[lb]	[kN]	[lb]	[kN]	[lb]	[kN]	[lb]			
2.20	3.00	2100	60	349	3139	1.1	34.81	5.37	1550	17.04	3820	8.53	2020	17.04	3820	SK 9012.1 - 90 N3/8	43.2	95.2
		2100	67	315	2834	1.3	31.45	5.71	1620	16.84	3770	8.75	2020	16.84	3770			
		2100	76	277	2496	1.4	27.65	6.03	1670	16.47	3690	8.96	2020	16.47	3690			
		2100	86	246	2210	1.6	24.53	6.26	1720	16.10	3610	9.00	2020	16.10	3610			
		2100	100	209	1885	1.9	20.87	6.48	1760	15.59	3500	9.00	2020	15.59	3500			
		2100	120	175	1575	2.2	17.45	6.65	1790	14.96	3360	9.00	2020	14.96	3360			
		2100	138	153	1375	2.5	15.30	6.74	1810	14.52	3260	9.00	2020	14.52	3260			
		2100	171	123	1104	1.8	12.23	6.84	1830	13.63	3060	9.00	2020	13.63	3060			
		2100	193	109	978	1.8	10.85	6.88	1840	13.25	2980	9.00	2020	13.25	2980			
		2100	227	92.7	834	2.1	9.23	6.92	1850	12.76	2870	9.00	2020	12.76	2870			
		2100	260	80.9	728	2.2	8.09	6.94	1850	12.35	2770	9.00	2020	12.35	2770			

0.50 kW / 0.67 hp


TEFC



Bevel gear units

P ₁		n ₁	n ₂	M ₂		f _B	i _{tot}	F _R /F _A				F _{RVL} /F _{AVL}				Model type	📦	
[kW]	[hp]			[Nm]	[lb-in]			F _R	F _A	F _{RVL}	F _{AVL}	[kN]	[lb]	[kN]	[lb]		[kN]	[lb]
0.50	0.67	2400	0.81	5877	51980	0.8	2953.98	0.0	4810	45.0	10120	28.6	8540	45.0	10120	SK 9053.1 - 71 F1/8	202.9	447.3
		2400	1.2	4025	35600	1.2	2023.49	21.9	7220	45.0	10120	36.7	8540	45.0	10120			
		2400	1.3	3729	32980	1.3	1872.50	23.4	7470	45.0	10120	37.6	8540	45.0	10120			
		2400	1.7	2785	24630	1.7	1398.80	26.9	8100	45.0	10120	38.0	8540	45.0	10120			
		2400	2.3	2113	18680	2.3	1062.85	28.6	8410	45.0	10120	38.0	8540	45.0	10120			
		2400	2.6	1852	16380	2.6	931.87	29.1	8510	45.0	10120	38.0	8540	45.0	10120			
		2400	3.4	1400	12380	2.9	703.83	29.9	8540	45.0	10120	38.0	8540	45.0	10120			
		2400	4.1	1155	10220	4.2	579.95	30.2	8540	45.0	10120	38.0	8540	45.0	10120			
2400	1.6	3018	26690	0.9	1517.17	9.6	2160	40.0	8990	20.2	4560	40.0	8990	SK 9043.1 - 71 F1/8	124.9	275.4		
		2400	2.2	2216	19600	1.3	1113.24	13.2	2970	40.0	8990	23.9	5390				40.0	8990
		2400	2.7	1755	15530	1.6	881.60	14.8	3340	40.0	8990	25.8	5800				40.0	8990
		2400	3.7	1283	11340	2.2	645.18	16.2	3650	40.0	8990	27.4	6170				39.0	8780
		2400	4.2	1130	9991	2.5	568.04	16.7	3750	40.0	8990	28.0	6300				38.1	8570
		2400	6.8	697	6165	4.0	350.72	17.7	3980	40.0	8990	28.0	6300				34.0	7650
		2400	8.6	555	4908	5.0	279.60	18.0	4050	40.0	8990	28.0	6300				32.2	7230
		2400	3.5	1376	12170	1.1	691.55	6.1	1380	14.5	3260	14.4	3230				24.3	5460
2400	4.5			1072	9482	1.4	539.10	8.3	1860	14.5	3260	15.0	3370	23.4	5270			
2400	6.0			795	7027	2.0	398.77	9.9	2230	14.5	3260	15.0	3370	22.2	5000			
2400	6.8			702	6211	2.2	352.25	10.4	2340	14.5	3260	15.0	3370	21.7	4880			
2400	9.0			533	4712	2.9	267.65	11.2	2530	14.5	3260	15.0	3370	20.5	4600			
2400	11			428	3785	3.6	214.83	11.7	2630	14.5	3260	15.0	3370	19.5	4380			
2400	14			333	2949	4.6	167.45	12.1	2720	14.5	3260	15.0	3370	18.4	4130			
2400	8.1			589	5210	2.6	295.85	11.0	2460	14.5	3260	15.0	3370	20.9	4710	SK 9032.1 - 71 F1/8	62.9	138.7
		2400	9.6	497	4399	3.1	249.72	11.4	2560	14.5	3260	15.0	3370	20.1	4530			
		2400	10	466	4119	3.3	233.92	11.5	2590	14.5	3260	15.0	3370	19.9	4470			
		2400	12	393	3478	3.9	197.45	11.8	2660	14.5	3260	15.0	3370	19.1	4290			
2400	4.3	1119	9896	0.8	561.55	0.0	0	12.0	2700	0.0	0	20.6	4630	SK 9023.1 - 71 F1/8	47.9	105.6		
		2400	5.1	941	8324	0.9	472.43	0.0	0	12.0	2700	7.1	1970				20.1	4510
		2400	7.1	676	5977	1.3	339.41	4.4	1130	12.0	2700	10.1	2600				19.3	4330
		2400	8.1	592	5237	1.5	297.67	6.4	1660	12.0	2700	10.7	2700				18.8	4240
		2400	10	456	4029	1.4	228.47	7.6	1930	12.0	2700	11.5	2700				17.9	4030
2400	11	436	3859	2.0	219.25	7.8	1960	12.0	2700	11.6	2700	17.8	3990	SK 9022.1 - 71 F1/8	42.9	94.6		
		2400	13	367	3246	2.3	184.46	8.2	2050	12.0	2700	11.9	2700				17.1	3840
		2400	14	338	2989	2.5	169.81	8.4	2080	12.0	2700	12.0	2700				16.8	3780
		2400	17	274	2421	3.1	137.57	8.6	2140	12.0	2700	12.0	2700				16.0	3600
		2400	21	230	2037	3.7	115.74	8.8	2180	12.0	2700	12.0	2700				15.3	3450
		2400	24	197	1740	4.4	98.88	8.9	2200	12.0	2700	12.0	2700				14.8	3330
2400	6.5	732	6470	0.8	367.33	0.0	0	20.0	4500	9.0	2020	20.0	4500	SK 9017.1 - 71 F1/8	40.9	90.2		
		2400	9.0	533	4714	1.1	267.99	6.5	1460	20.0	4500	9.0	2020				20.0	4500
		2400	10	469	4151	1.3	235.64	6.8	1530	20.0	4500	9.0	2020				20.0	4500
		2400	13	354	3135	1.6	177.89	7.3	1650	20.0	4500	9.0	2020				20.0	4500
		2400	18	267	2365	1.6	134.32	7.7	1730	20.0	4500	9.0	2020				20.0	4500




P_1		n_1	n_2	M_2		f_B	i_{tot}	F_R / F_A				F_{RVL} / F_{AVL}				Model type	 [kg] [lb]					
[kW]	[hp]							[Nm]	[lb-in]	F_R	[lb]	F_A	[kN]	[lb]	F_{RVL}				[lb]	F_{AVL}	[kN]	[lb]
0.50	0.67	2400	12	410	3625	1.5	205.93	7.1	1600	20.0	4500	9.0	2020	20.0	4500	SK 9016.1 - 71 F1/8	35.9	79.1				
		2400	13	364	3222	1.7	183.10	7.3	1640	20.0	4500	9.0	2020	20.0	4500							
		2400	16	298	2637	2.0	149.81	7.5	1700	20.0	4500	9.0	2020	20.0	4500							
		2400	17	283	2506	2.2	142.41	7.6	1710	20.0	4500	9.0	2020	20.0	4500							
		2400	21	232	2051	2.6	116.52	7.8	1750	20.0	4500	9.0	2020	20.0	4500							
		2400	26	183	1617	2.7	91.77	8.0	1800	20.0	4500	9.0	2020	20.0	4500							
		2400	29	162	1432	3.7	81.38	8.1	1810	20.0	4500	9.0	2020	20.0	4500							
		2400	33	143	1266	4.2	71.88	8.1	1830	20.0	4500	9.0	2020	20.0	4500							
		2400	37	127	1127	4.8	63.97	8.2	1840	20.0	4500	9.0	2020	20.0	4500							
		2400	11	424	3752	0.9	212.83	3.0	1400	20.0	4500	7.9	2020	20.0	4500				SK 9013.1 - 71 F1/8	39.9	88.0	
			13	354	3135	1.1	177.88	5.3	1550	20.0	4500	8.5	2020	20.0	4500							
			17	282	2493	1.4	141.29	6.0	1680	20.0	4500	8.9	2020	20.0	4500							
		2400	9.7	491	4339	0.8	246.37	0.0	960	20.0	4500	7.3	2020	20.0	4500				SK 9012.1 - 71 F1/8	34.9	76.9	
			12	410	3625	1.0	205.93	3.7	1430	20.0	4500	8.1	2020	20.0	4500							
13	364		3222	1.1	183.10	5.2	1530	20.0	4500	8.4	2020	20.0	4500									
19	246		2177	1.6	123.48	6.3	1720	20.0	4500	9.0	2020	20.0	4500									
22	219		1935	1.8	109.79	6.4	1750	20.0	4500	9.0	2020	20.0	4500									
25	194		1714	2.1	97.36	6.6	1780	20.0	4500	9.0	2020	20.0	4500									
28	171		1515	2.3	86.00	6.7	1800	20.0	4500	9.0	2020	20.0	4500									
31	153		1349	2.6	76.53	6.7	1810	20.0	4500	9.0	2020	20.0	4500									
38	125		1104	3.2	62.74	6.8	1830	20.0	4500	9.0	2020	20.0	4500									
43	110		972	3.6	55.17	6.9	1840	20.0	4500	9.0	2020	20.0	4500									
49	97.3		861	4.1	48.95	6.9	1840	20.0	4500	9.0	2020	20.0	4500									
58	83.0		734	4.8	41.65	6.9	1850	20.0	4500	9.0	2020	20.0	4500									
1.00	1.35		2400	1.7	5570	49630	0.9	1398.80	7.2	5290	45.0	10120	30.3	8540	45.0	10120	SK 9053.1 - 71 F2/8	204				449.7
			2400	2.3	4225	37650	1.1	1062.85	20.8	7010	45.0	10120	36.1	8540	45.0	10120						
		2400	2.6	3705	33010	1.3	931.87	23.5	7470	45.0	10120	37.7	8540	45.0	10120							
		2400	3.4	2800	24950	1.4	703.83	26.9	8080	45.0	10120	38.0	8540	45.0	10120							
		2400	4.1	2310	20580	2.1	579.95	28.2	8320	45.0	10120	38.0	8540	45.0	10120							
		2400	5.2	1826	16270	2.6	458.57	29.2	8510	45.0	10120	38.0	8540	45.0	10120							
		2400	6.9	1388	12370	3.5	348.91	29.9	8540	45.0	10120	38.0	8540	45.0	10120							
		2400	9.1	1053	9382	4.6	265.11	30.3	8540	45.0	10120	38.0	8540	45.0	10120							
		2400	2.7	3511	31280	0.8	881.60	6.6	1460	40.0	8990	17.6	3940	35.1	7870	SK 9043.1 - 71 F2/8			126	277.8		
			3.7	2565	22860	1.1	645.18	11.7	2600	40.0	8990	22.2	4980	34.0	7640							
4.2	2259		20130	1.2	568.04	13.0	2920	40.0	8990	23.8	5330	33.8	7590									
6.8	1394		12420	2.0	350.72	16.0	3580	40.0	8990	27.1	6090	31.4	7050									
8.6	1110		9890	2.5	279.60	16.7	3760	40.0	8990	28.0	6300	30.1	6750									
12	812		7237	3.4	204.38	17.4	3920	40.0	8990	28.0	6300	28.1	6320									
14	685		6100	4.1	172.08	17.7	3990	40.0	8990	28.0	6300	27.0	6080									
2400	6.0		1589	14160	1.0	398.77	0.0	0	14.5	3260	13.2	2950	18.7	4200	SK 9033.1 - 71 F2/8		72.0	158.7				
	6.8	1405	12510	1.1	352.25	5.9	1310	14.5	3260	14.2	3180	18.6	4180									
	9.0	1066	9494	1.5	267.65	8.3	1850	14.5	3260	15.0	3370	18.1	4070									
	11	856	7626	1.8	214.83	9.6	2140	14.5	3260	15.0	3370	17.6	3950									
	14	667	5941	2.3	167.45	10.6	2370	14.5	3260	15.0	3370	16.9	3790									

1.00 kW / 1.35 hp

TEFC



P ₁		n ₁	n ₂	M ₂		f _B	i _{tot}	F _R /F _A				F _{RVL} /F _{AVL}				Model type	 [kg] [lb]	
								F _R	F _A	F _{RVL}	F _{AVL}	F _R	F _A	F _{RVL}	F _{AVL}			
[kW]	[hp]	[rpm]		[Nm]	[lb-in]			[kN]	[lb]	[kN]	[lb]	[kN]	[lb]	[kN]	[lb]			
1.00	1.35	2400	8.1	1178	10500	1.3	295.85	7.6	1690	14.5	3260	15.0	3370	18.3	4110	SK 9032.1 - 71 F2/8	64.0	141.1
		2400	9.6	995	8863	1.6	249.72	8.7	1950	14.5	3260	15.0	3370	17.9	4020			
		2400	10	932	8300	1.7	233.92	9.1	2040	14.5	3260	15.0	3370	17.8	4000			
		2400	12	787	7008	2.0	197.45	9.9	2220	14.5	3260	15.0	3370	17.3	3890			
		2400	22	441	3933	3.5	110.77	11.6	2620	14.5	3260	15.0	3370	15.6	3500			
		2400	26	373	3321	4.2	93.50	11.9	2680	14.5	3260	15.0	3370	15.0	3370			
		2400	29	335	2984	4.6	84.17	12.1	2720	14.5	3260	15.0	3370	14.7	3290			
		2400	11	873	7776	1.0	219.25	0.0	0	12.0	2700	8.1	2160	15.4	3450			
2400	13	734	6541	1.2	184.46	0.0	0	12.0	2700	9.6	2480	15.0	3360					
2400	14	676	6023	1.3	169.81	4.4	1060	12.0	2700	10.1	2590	15.0	3360					
2400	17	548	4879	1.6	137.57	6.9	1750	12.0	2700	11.0	2700	14.5	3260					
2400	21	461	4104	1.9	115.74	7.6	1910	12.0	2700	11.5	2700	14.0	3150					
2400	24	394	3507	2.2	98.88	8.1	2010	12.0	2700	11.8	2700	13.7	3080					
2400	28	339	3022	2.5	85.11	8.3	2080	12.0	2700	12.0	2700	13.3	2990					
2400	30	314	2795	2.7	78.89	8.5	2110	12.0	2700	12.0	2700	13.1	2940					
2400	36	264	2356	3.3	66.42	8.7	2150	12.0	2700	12.0	2700	12.6	2840					
2400	41	232	2065	3.7	58.25	8.8	2180	12.0	2700	12.0	2700	12.3	2760					
2400	46	207	1847	4.1	52.02	8.9	2190	12.0	2700	12.0	2700	12.0	2690					
2400	49	195	1737	4.4	49.01	8.9	2200	12.0	2700	12.0	2700	11.8	2640					
2400	54	178	1588	4.8	44.71	8.9	2180	12.0	2700	12.0	2700	11.5	2590					
2400	13	729	6493	0.8	183.10	0.0	0	20.0	4500	9.0	2020	20.0	4500	SK 9016.1 - 71 F2/8	37.0	81.6		
2400	16	596	5312	1.0	149.81	6.1	1370	20.0	4500	9.0	2020	20.0	4500					
2400	17	567	5050	1.1	142.41	6.3	1420	20.0	4500	9.0	2020	20.0	4500					
2400	21	464	4132	1.3	116.52	6.8	1530	20.0	4500	9.0	2020	20.0	4500					
2400	26	366	3257	1.4	91.77	7.3	1640	20.0	4500	9.0	2020	20.0	4500					
2400	29	324	2886	1.9	81.38	7.5	1680	20.0	4500	9.0	2020	20.0	4500					
2400	33	286	2551	2.1	71.88	7.6	1710	20.0	4500	9.0	2020	20.0	4500					
2400	37	255	2271	2.4	63.97	7.7	1740	20.0	4500	9.0	2020	20.0	4500					
2400	46	209	1858	2.9	52.44	7.9	1780	20.0	4500	9.0	2020	20.0	4500					
2400	52	184	1637	3.3	46.11	8.0	1800	19.7	4420	9.0	2020	19.7	4420					
2400	59	163	1449	3.7	40.92	8.1	1810	19.1	4290	9.0	2020	19.1	4290					
2400	69	139	1236	4.3	34.81	8.1	1830	18.4	4130	9.0	2020	18.4	4130					
2400	79	121	1079	5.0	30.52	8.2	1840	17.8	3990	9.0	2020	17.8	3990					
2400	19	492	4386	0.8	123.48	0.0	900	20.0	4500	7.2	2020	20.0	4500	SK 9012.1 - 71 F2/8	36.0	79.4		
2400	22	438	3899	0.9	109.79	2.2	1350	20.0	4500	7.8	2020	20.0	4500					
2400	25	388	3454	1.0	97.36	4.5	1480	20.0	4500	8.2	2020	20.0	4500					
2400	28	343	3053	1.2	86.00	5.4	1570	20.0	4500	8.6	2020	20.0	4500					
2400	31	305	2719	1.3	76.53	5.8	1640	20.0	4500	8.8	2020	20.0	4500					
2400	38	250	2224	1.6	62.74	6.2	1720	20.0	4500	9.0	2020	20.0	4500					
2400	43	220	1959	1.8	55.17	6.4	1750	20.0	4500	9.0	2020	20.0	4500					
2400	49	195	1734	2.1	48.95	6.6	1780	20.0	4490	9.0	2020	20.0	4490					
2400	58	166	1479	2.4	41.65	6.7	1800	19.2	4320	9.0	2020	19.2	4320					
2400	69	139	1236	2.9	34.81	6.8	1820	18.4	4130	9.0	2020	18.4	4130					
2400	76	125	1116	3.2	31.45	6.8	1830	18.0	4030	9.0	2020	18.0	4030					

Bevel gear units



P_1		n_1	n_2	M_2		f_B	i_{tot}	F_R / F_A				F_{RVL} / F_{AVL}				Model type	📦	
[kW]	[hp]			[Nm]	[lb-in]			F_R	F_A	F_{RVL}	F_{AVL}	[kN]	[lb]	[kN]	[lb]		[kN]	[lb]
1.00	1.35	2400	87	110	983	3.6	27.65	6.9	1840	17.4	3910	9.0	2020	17.4	3910	SK 9012.1 - 71 F2/8	36.0	79.4
		2400	98	97.7	870	4.1	24.53	6.9	1840	16.8	3780	9.0	2020	16.8	3780			
		2400	115	83.3	742	4.8	20.87	6.9	1850	16.2	3630	9.0	2020	16.2	3630			
		2400	196	48.8	435	4.5	12.23	7.0	1860	13.9	3120	9.0	2020	13.9	3120			
		2400	221	43.2	385	4.6	10.85	7.0	1860	13.5	3020	9.0	2020	13.5	3020			
1.50	2.00	2400	2.6	5557	48900	0.9	931.87	7.5	5420	45.0	10120	30.4	8540	45.0	10120	SK 9053.1 - 71 F3/8	205.0	451.9
		2400	3.4	4200	36960	1.0	703.83	20.9	7080	45.0	10120	36.1	8540	45.0	10120			
		2400	4.1	3465	30490	1.4	579.95	24.5	7680	45.0	10120	38.0	8540	45.0	10120			
		2400	5.2	2740	24110	1.8	458.57	27.0	8130	45.0	10120	38.0	8540	45.0	10120			
		2400	4.2	3389	29820	0.8	568.04	7.4	1700	40.0	8990	18.3	4140	29.6	6660			
		2400	11	1284	11300	1.2	214.83	6.8	1540	14.5	3260	14.9	3350	15.7	3540	SK 9033.1 - 90 F1/8	76.0	167.6
		2400	14	1000	8802	1.5	167.45	8.7	1960	14.5	3260	15.0	3370	15.4	3470			
		2400	9	1598	14070	1.0	267.65	0.0	0	14.5	3260	13.1	2960	15.8	3560			
		2400	11	1284	11300	1.2	214.83	6.8	1540	14.5	3260	14.9	3350	15.7	3540			
		2400	14	1000	8802	1.5	167.45	8.7	1960	14.5	3260	15.0	3370	15.4	3470			
		2400	8.1	1767	15550	0.9	295.85	0.0	0	14.5	3260	12.1	2740	15.7	3550			
		2400	9.6	1492	13130	1.0	249.72	4.6	250	14.5	3260	13.7	3080	15.7	3540			
		2400	10	1397	12300	1.1	233.92	6.0	1350	14.5	3260	14.3	3220	15.8	3550			
		2400	12	1180	10380	1.3	197.45	7.5	1690	14.5	3260	15.0	3370	15.6	3510			
		2400	17	821	7228	1.0	137.57	0.0	0	12.0	2700	8.7	2320	13.0	2930	SK 9022.1 - 90 F1/8	48.0	105.8
		2400	21	691	6080	1.2	115.74	3.6	960	12.0	2700	10.0	2580	12.7	2870			
		2400	30	471	4141	1.8	78.89	7.5	1910	12.0	2700	11.4	2700	12.3	2760			
		2400	36	397	3491	2.2	66.42	8.0	2020	12.0	2700	11.8	2700	11.9	2680			
		2400	41	348	3059	2.5	58.25	8.3	2070	12.0	2700	12.0	2700	11.6	2620			
		2400	46	311	2737	2.8	52.02	8.5	2110	12.0	2700	12.0	2700	11.4	2560			
		2400	49	292	2573	2.9	49.01	8.6	2090	12.0	2700	12.0	2700	11.2	2520			
		2400	54	267	2353	3.2	44.71	8.7	2060	12.0	2700	12.0	2700	11.1	2490			
		2400	60	237	2085	3.6	39.77	8.8	2010	12.0	2700	12.0	2700	10.8	2420			
		2400	72	199	1748	4.3	33.26	8.5	1920	12.0	2700	12.0	2700	10.3	2320			
		2400	76	188	1651	4.4	31.38	8.5	1900	12.0	2700	12.0	2700	10.2	2300			
		2400	82	174	1535	4.9	29.20	8.3	1870	12.0	2700	12.0	2700	10.1	2260			
		2400	13	1101	9690	0.8	184.46	0.0	0	12.0	2700	0.0	0	12.9	2910	SK 9022.1 - 71 F3/8	45.0	99.2
2400	14	1014	8922	0.8	169.81	0.0	0	12.0	2700	3.4	920	13.1	2950					
2400	17	821	7228	1.0	137.57	0.0	0	12.0	2700	8.7	2320	13.0	2930					
2400	21	691	6080	1.2	115.74	3.6	960	12.0	2700	10.0	2580	12.7	2870					
2400	24	590	5195	1.5	98.88	6.4	1670	12.0	2700	10.8	2700	12.6	2840					
2400	28	509	4476	1.7	85.11	7.2	1840	12.0	2700	11.2	2700	12.4	2790					
2400	30	471	4141	1.8	78.89	7.5	1910	12.0	2700	11.4	2700	12.3	2760					
2400	36	397	3491	2.2	66.42	8.0	2020	12.0	2700	11.8	2700	11.9	2680					
2400	41	348	3059	2.5	58.25	8.3	2070	12.0	2700	12.0	2700	11.6	2620					
2400	46	311	2737	2.8	52.02	8.5	2110	12.0	2700	12.0	2700	11.4	2560					

1.50 kW / 2.00 hp


TEFC



P ₁		n ₁	n ₂	M ₂		f _B	i _{tot}	F _R /F _A				F _{RVL} /F _{AVL}				Model type	📦	
[kW]	[hp]			[Nm]	[lb-in]			F _R	F _A	F _{RVL}	F _{AVL}	[kN]	[lb]	[kN]	[lb]		[kN]	[lb]
1.50	2.00	2400	49	292	2573	2.9	49.01	8.6	2090	12.0	2700	12.0	2700	11.2	2520	SK 9022.1 - 71 F3/8	45.0	99.2
		2400	54	267	2353	3.2	44.71	8.7	2060	12.0	2700	12.0	2700	11.1	2490			
		2400	60	237	2085	3.6	39.77	8.8	2010	12.0	2700	12.0	2700	10.8	2420			
		2400	72	199	1748	4.3	33.26	8.5	1920	12.0	2700	12.0	2700	10.3	2320			
		2400	76	188	1651	4.4	31.38	8.5	1900	12.0	2700	12.0	2700	10.2	2300			
		2400	82	174	1535	4.9	29.20	8.3	1870	12.0	2700	12.0	2700	10.1	2260			
2400		37		382	3365	1.6	63.97	7.2	1630	19.9	4470	9.0	2020	19.9	4470	SK 9016.1 - 90 F1/8	41.0	90.4
		46		313	2753	1.9	52.44	7.5	1690	19.2	4320	9.0	2020	19.2	4320			
		52		276	2425	2.2	46.11	7.7	1720	18.7	4210	9.0	2020	18.7	4210			
		59		244	2147	2.5	40.92	7.8	1750	18.3	4110	9.0	2020	18.3	4110			
		69		208	1831	2.9	34.81	7.9	1780	17.7	3980	9.0	2020	17.7	3980			
		79		182	1599	3.3	30.52	8.0	1800	17.2	3860	9.0	2020	17.2	3860			
		91		157	1381	3.8	26.29	8.1	1820	16.6	3730	9.0	2020	16.6	3730			
		104		138	1216	3.8	23.11	8.1	1830	16.1	3620	9.0	2020	16.1	3620			
		117		122	1077	4.7	20.51	8.2	1840	15.6	3520	9.0	2020	15.6	3520			
2400		21		696	6121	0.9	116.52	3.3	750	20.0	4500	9.0	2020	20.0	4500	SK 9016.1 - 71 F3/8	38.0	83.8
		26		548	4826	0.9	91.77	6.4	1450	20.0	4500	9.0	2020	20.0	4500			
		29		486	4275	1.2	81.38	6.7	1520	20.0	4500	9.0	2020	20.0	4500			
		33		429	3779	1.4	71.88	7.0	1580	20.0	4500	9.0	2020	20.0	4500			
		37		382	3365	1.6	63.97	7.2	1630	19.9	4470	9.0	2020	19.9	4470			
		46		313	2753	1.9	52.44	7.5	1690	19.2	4320	9.0	2020	19.2	4320			
		52		276	2425	2.2	46.11	7.7	1720	18.7	4210	9.0	2020	18.7	4210			
		59		244	2147	2.5	40.92	7.8	1750	18.3	4110	9.0	2020	18.3	4110			
		69		208	1831	2.9	34.81	7.9	1780	17.7	3980	9.0	2020	17.7	3980			
		79		182	1599	3.3	30.52	8.0	1800	17.2	3860	9.0	2020	17.2	3860			
		91		157	1381	3.8	26.29	8.1	1820	16.6	3730	9.0	2020	16.6	3730			
		104		138	1216	3.8	23.11	8.1	1830	16.1	3620	9.0	2020	16.1	3620			
		117		122	1077	4.7	20.51	8.2	1840	15.6	3520	9.0	2020	15.6	3520			
		2400		31		458	4028	0.9	76.53	0.0	1250	20.0	4500	7.6	2020			
38				374	3295	1.1	62.74	5.0	1520	19.9	4470	8.4	2020	19.9	4470			
43				330	2902	1.2	55.17	5.6	1600	19.4	4370	8.7	2020	19.4	4370			
49				292	2570	1.4	48.95	5.9	1660	19.0	4280	8.9	2020	19.0	4280			
58				249	2191	1.6	41.65	6.2	1720	18.4	4140	9.0	2020	18.4	4140			
69				208	1831	1.9	34.81	6.5	1770	17.7	3980	9.0	2020	17.7	3980			
76				188	1653	2.1	31.45	6.6	1780	17.3	3900	9.0	2020	17.3	3900			
87				165	1456	2.4	27.65	6.7	1800	16.8	3790	9.0	2020	16.8	3790			
98				146	1289	2.7	24.53	6.8	1820	16.4	3680	9.0	2020	16.4	3680			
115				125	1099	3.2	20.87	6.8	1830	15.7	3540	9.0	2020	15.7	3540			
137				104	919	3.6	17.45	6.9	1840	15.0	3380	9.0	2020	15.0	3380			
157				91.1	802	4.2	15.30	6.9	1850	14.5	3270	9.0	2020	14.5	3270			
196				73.2	644	3.0	12.23	7.0	1850	13.6	3060	9.0	2020	13.6	3060			
221				64.8	570	3.1	10.85	7.0	1860	13.2	2970	9.0	2020	13.2	2970			
259		55.3	486	3.5	9.23	7.0	1860	12.7	2850	9.0	2020	12.7	2850					
297		48.3	425	3.7	8.09	7.0	1860	12.2	2750	9.0	2020	12.2	2750					

Bevel gear units




P_1		n_1	n_2	M_2		f_B	i_{tot}	F_R / F_A				F_{RVL} / F_{AVL}				Model type	 [kg] [lb]	
[kW]	[hp]							[Nm]	[lb-in]	F_R	[lb]	F_A	[kN]	[lb]	F_{RVL}			
1.50	2.00	2400	28	514	4523	0.8	86.00	0.0	710	20.0	4500	7.0	2020	20.0	4500	SK 9012.1 - 71 F3/8	37.0	81.6
		2400	31	458	4028	0.9	76.53	0.0	1250	20.0	4500	7.6	2020	20.0	4500			
		2400	38	374	3295	1.1	62.74	5.0	1520	19.9	4470	8.4	2020	19.9	4470			
		2400	43	330	2902	1.2	55.17	5.6	1600	19.4	4370	8.7	2020	19.4	4370			
		2400	49	292	2570	1.4	48.95	5.9	1660	19.0	4280	8.9	2020	19.0	4280			
		2400	58	249	2191	1.6	41.65	6.2	1720	18.4	4140	9.0	2020	18.4	4140			
		2400	69	208	1831	1.9	34.81	6.5	1770	17.7	3980	9.0	2020	17.7	3980			
		2400	76	188	1653	2.1	31.45	6.6	1780	17.3	3900	9.0	2020	17.3	3900			
		2400	87	165	1456	2.4	27.65	6.7	1800	16.8	3790	9.0	2020	16.8	3790			
		2400	98	146	1289	2.7	24.53	6.8	1820	16.4	3680	9.0	2020	16.4	3680			
		2400	115	125	1099	3.2	20.87	6.8	1830	15.7	3540	9.0	2020	15.7	3540			
		2400	137	104	919	3.6	17.45	6.9	1840	15.0	3380	9.0	2020	15.0	3380			
		2400	157	91.1	802	4.2	15.30	6.9	1850	14.5	3270	9.0	2020	14.5	3270			
		2400	196	73.2	644	3.0	12.23	7.0	1850	13.6	3060	9.0	2020	13.6	3060			
		2400	221	64.8	570	3.1	10.85	7.0	1860	13.2	2970	9.0	2020	13.2	2970			
		2400	259	55.3	486	3.5	9.23	7.0	1860	12.7	2850	9.0	2020	12.7	2850			
		2400	297	48.3	425	3.7	8.09	7.0	1860	12.2	2750	9.0	2020	12.2	2750			
		2.20	3.00	2400	5.2	4018	36170	1.2	458.57	21.9	7170	45.0	10120	36.7	8540			
2400	10			2049	18450	0.8	233.92	0.0	0	14.5	3260	9.9	1570	12.9	2870	SK 9032.1 - 71 F4/8	68.0	149.9
2400	12			1730	15570	0.9	197.45	0.0	0	14.5	3260	12.3	2720	13.1	2920			
2400	21			1013	9120	0.8	115.74	0.0	0	12.0	2700	3.5	0	10.9	2430	SK 9022.1 - 90 F2/8	48.8	107.6
2400	30			690	6212	1.2	78.89	3.6	660	12.0	2700	10.0	2550	11.0	2470			
2400	36			582	5236	1.5	66.42	6.5	1660	12.0	2700	10.8	2700	10.9	2440			
2400	41			510	4588	1.7	58.25	7.2	1820	12.0	2700	11.2	2700	10.7	2400			
2400	46			456	4105	1.9	52.02	7.6	1910	12.0	2700	11.5	2700	10.6	2370			
2400	49			429	3860	2.0	49.01	7.8	1880	12.0	2700	11.6	2700	10.4	2340			
2400	54			392	3529	2.2	44.71	8.1	1880	12.0	2700	11.8	2700	10.4	2320			
2400	60			348	3128	2.5	39.77	8.2	1840	12.0	2700	12.0	2700	10.2	2280			
2400	72			291	2621	3.0	33.26	7.9	1780	12.0	2700	12.0	2700	9.8	2200			
2400	76			275	2476	3.0	31.38	7.9	1770	12.0	2700	12.0	2700	9.7	2190			
2400	82			256	2302	3.4	29.20	7.8	1750	12.0	2700	12.0	2700	9.6	2150			
2400	92			229	2059	3.8	26.07	7.6	1710	12.0	2700	12.0	2700	9.4	2110			
2400	98			215	1936	4.0	24.56	7.5	1680	12.0	2700	12.0	2700	9.2	2070			
2400	107			197	1771	4.0	22.41	7.4	1650	12.0	2700	12.0	2700	9.1	2040			
2400	120			174	1569	4.4	19.93	7.2	1610	12.0	2700	12.0	2700	8.9	1990			
2400	137			153	1381	4.7	17.52	6.9	1540	11.7	2620	12.0	2700	8.5	1910			
2400	147			143	1284	4.3	16.30	6.8	1510	11.5	2580	12.0	2700	8.4	1880			
2400	165			128	1148	4.5	14.56	6.6	1470	11.2	2510	12.0	2700	8.2	1830			
2400	192			110	987	4.9	12.51	6.3	1420	10.8	2410	12.0	2700	7.9	1770			
2400	24			866	7793	1.0	98.88	0.0	0	12.0	2700	8.2	2150	11.1	2480	SK 9022.1 - 71 F4/8	48.0	105.8
2400	30			690	6212	1.2	78.89	3.6	660	12.0	2700	10.0	2550	11.0	2470			
2400	36			582	5236	1.5	66.42	6.5	1660	12.0	2700	10.8	2700	10.9	2440			
2400	41			510	4588	1.7	58.25	7.2	1820	12.0	2700	11.2	2700	10.7	2400			
2400	46			456	4105	1.9	52.02	7.6	1910	12.0	2700	11.5	2700	10.6	2370			

2.20 kW / 3.00 hp

TEFC



Bevel gear units

P ₁		n ₁	n ₂	M ₂		f _B	i _{tot}	F _R /F _A				F _{RVL} /F _{AVL}				Model type	 [kg] [lb]	
								F _R		F _A		F _{RVL}		F _{AVL}				
[kW]	[hp]	[rpm]	[Nm]	[lb-in]				[kN]	[lb]	[kN]	[lb]	[kN]	[lb]	[kN]	[lb]			
2.20	3.00	2400	49	429	3860	2.0	49.01	7.8	1880	12.0	2700	11.6	2700	10.4	2340	SK 9022.1 - 71 F4/8	48.0	105.8
		2400	54	392	3529	2.2	44.71	8.1	1880	12.0	2700	11.8	2700	10.4	2320			
		2400	60	348	3128	2.5	39.77	8.2	1840	12.0	2700	12.0	2700	10.2	2280			
		2400	72	291	2621	3.0	33.26	7.9	1780	12.0	2700	12.0	2700	9.8	2200			
		2400	76	275	2476	3.0	31.38	7.9	1770	12.0	2700	12.0	2700	9.7	2190			
		2400	82	256	2302	3.4	29.20	7.8	1750	12.0	2700	12.0	2700	9.6	2150			
		2400	92	229	2059	3.8	26.07	7.6	1710	12.0	2700	12.0	2700	9.4	2110			
		2400	98	215	1936	4.0	24.56	7.5	1680	12.0	2700	12.0	2700	9.2	2070			
		2400	107	197	1771	4.0	22.41	7.4	1650	12.0	2700	12.0	2700	9.1	2040			
		2400	120	174	1569	4.4	19.93	7.2	1610	12.0	2700	12.0	2700	8.9	1990			
		2400	137	153	1381	4.7	17.52	6.9	1540	11.7	2620	12.0	2700	8.5	1910			
		2400	147	143	1284	4.3	16.30	6.8	1510	11.5	2580	12.0	2700	8.4	1880			
		2400	165	128	1148	4.5	14.56	6.6	1470	11.2	2510	12.0	2700	8.2	1830			
		2400	192	110	987	4.9	12.51	6.3	1420	10.8	2410	12.0	2700	7.9	1770			
		2400		37		561	5047	1.1	63.97	6.4	1420	18.0	4030	9.0	2020			
46				459	4129	1.3	52.44	6.9	1540	17.7	3960	9.0	2020	17.7	3960			
52				404	3637	1.5	46.11	7.1	1590	17.4	3900	9.0	2020	17.4	3900			
59				358	3220	1.7	40.92	7.3	1640	17.1	3830	9.0	2020	17.1	3830			
69				305	2746	2.0	34.81	7.6	1690	16.7	3740	9.0	2020	16.7	3740			
79				266	2398	2.3	30.52	7.7	1730	16.3	3650	9.0	2020	16.3	3650			
91				230	2072	2.6	26.29	7.8	1760	15.8	3550	9.0	2020	15.8	3550			
104				203	1825	2.6	23.11	7.9	1780	15.4	3460	9.0	2020	15.4	3460			
117				179	1615	3.2	20.51	8.0	1800	15.1	3380	9.0	2020	15.1	3380			
137				153	1378	3.5	17.45	8.1	1820	14.5	3260	9.0	2020	14.5	3260			
2400		157		134	1203	3.9	15.10	8.2	1830	14.1	3160	9.0	2020	14.1	3160	SK 9016.1 - 71 F4/8	41.0	90.4
		192		109	984	4.8	12.51	8.2	1850	13.4	3000	9.0	2020	13.4	3000			
		29		713	6413	0.8	81.38	1.8	0	18.3	4080	9.0	2020	18.3	4080			
		33		630	5668	1.0	71.88	6.0	1310	18.2	4060	9.0	2020	18.2	4060			
		37		561	5047	1.1	63.97	6.4	1420	18.0	4030	9.0	2020	18.0	4030			
		46		459	4129	1.3	52.44	6.9	1540	17.7	3960	9.0	2020	17.7	3960			
		52		404	3637	1.5	46.11	7.1	1590	17.4	3900	9.0	2020	17.4	3900			
		59		358	3220	1.7	40.92	7.3	1640	17.1	3830	9.0	2020	17.1	3830			
		69		305	2746	2.0	34.81	7.6	1690	16.7	3740	9.0	2020	16.7	3740			
		79		266	2398	2.3	30.52	7.7	1730	16.3	3650	9.0	2020	16.3	3650			
2400		91		230	2072	2.6	26.29	7.8	1760	15.8	3550	9.0	2020	15.8	3550	SK 9012.1 - 90 F2/8	40.8	89.9
		104		203	1825	2.6	23.11	7.9	1780	15.4	3460	9.0	2020	15.4	3460			
		117		179	1615	3.2	20.51	8.0	1800	15.1	3380	9.0	2020	15.1	3380			
		137		153	1378	3.5	17.45	8.1	1820	14.5	3260	9.0	2020	14.5	3260			
		157		134	1203	3.9	15.10	8.2	1830	14.1	3160	9.0	2020	14.1	3160			
2400		192		109	984	4.8	12.51	8.2	1850	13.4	3000	9.0	2020	13.4	3000			
		43		484	4353	0.8	55.17	0.0	940	17.9	4010	7.3	2020	17.9	4010			
		49		428	3854	0.9	48.95	2.8	1370	17.6	3950	7.9	2020	17.6	3950			
		58		365	3287	1.1	41.65	5.2	1520	17.3	3860	8.4	2020	17.3	3860			
		69		305	2746	1.3	34.81	5.8	1630	16.7	3740	8.8	2020	16.7	3740			
2400		76		276	2480	1.5	31.45	6.0	1680	16.5	3690	9.0	2020	16.5	3690			




P ₁		n ₁	n ₂	M ₂		f _B	i _{tot}	F _R /F _A				F _{RVL} /F _{AVL}				Model type	📦	
[kW]	[hp]			[Nm]	[lb-in]			F _R	F _A	F _{RVL}	F _{AVL}	[kN]	[lb]	[kN]	[lb]		[kN]	[lb]
2.20	3.00	2400	87	243	2184	1.6	27.65	6.3	1720	16.1	3600	9.0	2020	16.1	3600	SK 9012.1 - 90 F2/8	40.8	89.9
		2400	98	215	1934	1.9	24.53	6.5	1750	15.7	3520	9.0	2020	15.7	3520			
		2400	115	183	1649	2.2	20.87	6.6	1780	15.2	3400	9.0	2020	15.2	3400			
		2400	137	153	1378	2.5	17.45	6.7	1810	14.5	3260	9.0	2020	14.5	3260			
		2400	157	134	1203	2.8	15.30	6.8	1820	14.1	3160	9.0	2020	14.1	3160			
		2400	196	107	966	2.0	12.23	6.9	1840	13.2	2970	9.0	2020	13.2	2970			
		2400	221	95.1	856	2.1	10.85	6.9	1840	12.8	2880	9.0	2020	12.8	2880			
		2400	259	81.1	730	2.4	9.23	6.9	1850	12.4	2770	9.0	2020	12.4	2770			
		2400	297	70.8	637	2.5	8.09	7.0	1850	11.9	2680	9.0	2020	11.9	2680			
		2400	43	484	4353	0.8	55.17	0.0	940	17.9	4010	7.3	2020	17.9	4010			
		2400	49	428	3854	0.9	48.95	2.8	1370	17.6	3950	7.9	2020	17.6	3950			
		2400	58	365	3287	1.1	41.65	5.2	1520	17.3	3860	8.4	2020	17.3	3860			
		2400	69	305	2746	1.3	34.81	5.8	1630	16.7	3740	8.8	2020	16.7	3740			
		2400	76	276	2480	1.5	31.45	6.0	1680	16.5	3690	9.0	2020	16.5	3690			
		2400	87	243	2184	1.6	27.65	6.3	1720	16.1	3600	9.0	2020	16.1	3600			
		2400	98	215	1934	1.9	24.53	6.5	1750	15.7	3520	9.0	2020	15.7	3520			
2400	115	183	1649	2.2	20.87	6.6	1780	15.2	3400	9.0	2020	15.2	3400					
2400	137	153	1378	2.5	17.45	6.7	1810	14.5	3260	9.0	2020	14.5	3260					
2400	157	134	1203	2.8	15.30	6.8	1820	14.1	3160	9.0	2020	14.1	3160					
2400	196	107	966	2.0	12.23	6.9	1840	13.2	2970	9.0	2020	13.2	2970					
2400	221	95.1	856	2.1	10.85	6.9	1840	12.8	2880	9.0	2020	12.8	2880					
2400	259	81.1	730	2.4	9.23	6.9	1850	12.4	2770	9.0	2020	12.4	2770					
2400	297	70.8	637	2.5	8.09	7.0	1850	11.9	2680	9.0	2020	11.9	2680					
3.00	4.00	2400	30	941	8282	0.9	78.89	0.0	0	12.0	2700	7.1	1990	9.7	2180	SK 9022.1 - 90 F3/8	51.8	114.2
		2400	36	793	6982	1.1	66.42	0.0	0	12.0	2700	9.0	2380	9.7	2190			
		2400	41	695	6118	1.2	58.25	3.3	880	12.0	2700	10.0	2570	9.7	2190			
		2400	46	622	5473	1.4	52.02	6.1	1600	12.0	2700	10.5	2690	9.7	2180			
		2400	49	585	5146	1.5	49.01	6.5	1670	12.0	2700	10.8	2700	9.6	2150			
		2400	54	535	4706	1.6	44.71	7.0	1690	12.0	2700	11.1	2700	9.6	2160			
		2400	60	474	4170	1.8	39.77	7.5	1680	12.0	2700	11.4	2700	9.5	2130			
		2400	72	397	3495	2.2	33.26	7.3	1640	12.0	2700	11.8	2700	9.2	2070			
		2400	76	375	3301	2.2	31.38	7.3	1640	12.0	2700	11.9	2700	9.2	2070			
		2400	82	349	3069	2.5	29.20	7.2	1630	12.0	2700	12.0	2700	9.1	2050			
		2400	92	312	2746	2.8	26.07	7.1	1600	12.0	2700	12.0	2700	8.9	2010			
		2400	98	293	2582	2.9	24.56	7.0	1570	12.0	2700	12.0	2700	8.8	1980			
		2400	107	268	2361	2.9	22.41	6.9	1560	11.9	2680	12.0	2700	8.7	1960			
		2400	120	238	2092	3.2	19.93	6.8	1530	11.6	2610	12.0	2700	8.5	1920			
		2400	137	209	1841	3.4	17.52	6.5	1460	11.1	2500	12.0	2700	8.2	1840			
		2400	147	194	1711	3.2	16.30	6.4	1440	10.9	2460	12.0	2700	8.1	1810			
		2400	165	174	1531	3.3	14.56	6.3	1410	10.7	2400	12.0	2700	7.9	1770			
		2400	192	150	1316	3.6	12.51	6.1	1360	10.3	2320	12.0	2700	7.6	1720			
		2400	216	133	1167	3.9	11.13	5.9	1330	10.0	2260	12.0	2700	7.4	1670			
		2400	273	105	924	4.6	8.78	5.6	1250	9.4	2110	12.0	2700	7.0	1580			

3.00 kW / 4.00 hp
3.70 kW / 5.00 hp


TEFC



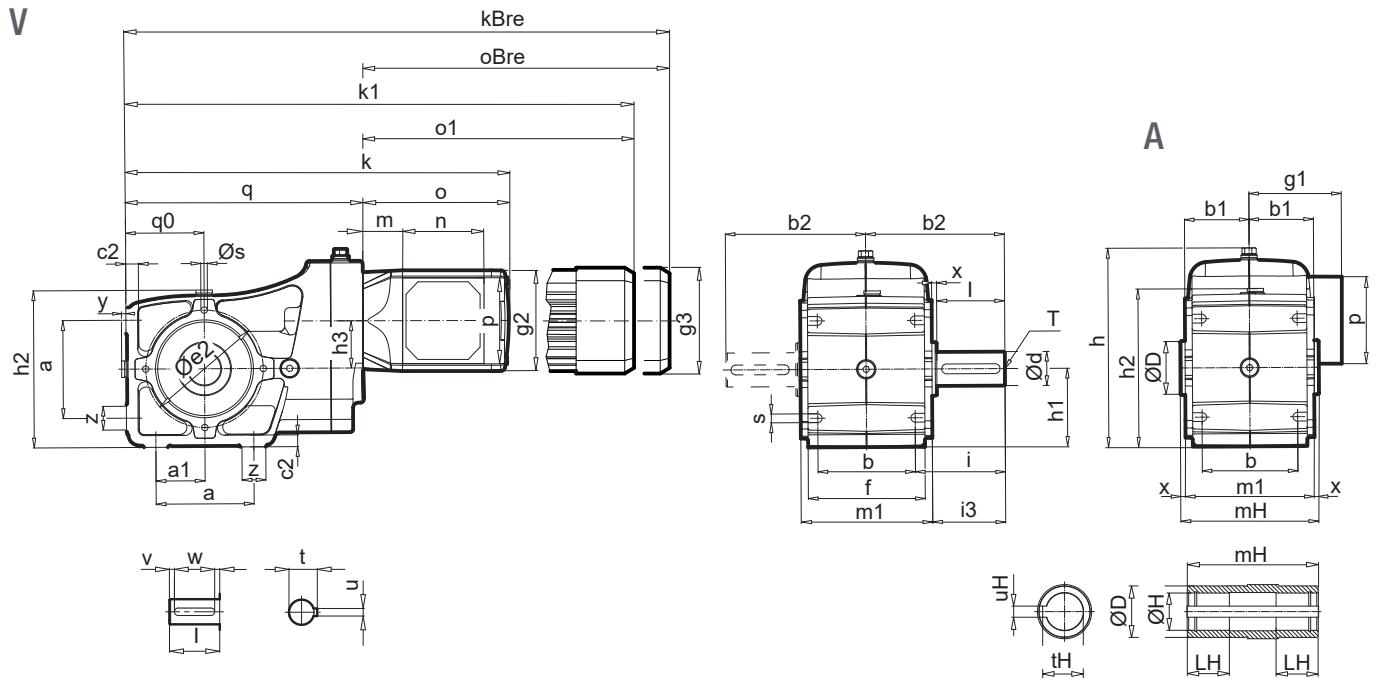
Bevel gear units

P ₁		n ₁	n ₂	M ₂		f _B	i _{tot}	F _R /F _A				F _{RVL} /F _{AVL}				Model type	 [kg] [lb]						
								F _R		F _A		F _{RVL}		F _{AVL}									
[kW]	[hp]	[rpm]	[Nm]	[lb-in]				[kN]	[lb]	[kN]	[lb]	[kN]	[lb]	[kN]	[lb]								
3.00	4.00	2400	37	765	6730	0.8	63.97	0.0	0	16.0	3600	9.0	2020	16.0	3600	SK 9016.1 - 90 F3/8	44.8	98.8					
		2400	46	626	5506	1.0	52.44	6.0	1350	16.0	3600	9.0	2020	16.0	3600								
		2400	52	551	4849	1.1	46.11	6.4	1440	15.9	3580	9.0	2020	15.9	3580								
		2400	59	488	4293	1.2	40.92	6.7	1520	15.8	3550	9.0	2020	15.8	3550								
		2400	69	416	3662	1.4	34.81	7.1	1590	15.6	3500	9.0	2020	15.6	3500								
		2400	79	363	3197	1.7	30.52	7.3	1640	15.3	3440	9.0	2020	15.3	3440								
		2400	91	314	2762	1.9	26.29	7.5	1690	15.0	3370	9.0	2020	15.0	3370								
		2400	104	276	2433	1.9	23.11	7.7	1720	14.7	3310	9.0	2020	14.7	3310								
		2400	117	245	2154	2.4	20.51	7.8	1750	14.4	3240	9.0	2020	14.4	3240								
		2400	137	209	1837	2.6	17.45	7.9	1780	14.0	3140	9.0	2020	14.0	3140								
		2400	157	182	1604	2.9	15.10	8.0	1800	13.6	3060	9.0	2020	13.6	3060								
		2400	192	149	1312	3.5	12.51	8.1	1820	13.0	2920	9.0	2020	13.0	2920								
		3.70	5.00	2400	36	979	8727	0.9	66.42	0.0	0	11.3	2530	5.8	1360				8.7	1950	SK 9022.1 - 90 F4/8	53.6	118.2
				2400	41	857	7647	1.0	58.25	0.0	0	11.6	2590	8.3	2200				8.8	1980			
2400	46			767	6842	1.1	52.02	0.0	0	11.8	2630	9.3	2410	8.9	1990								
2400	49			721	6433	1.2	49.01	0.0	0	11.6	2600	9.7	2510	8.8	1970								
2400	54			660	5882	1.3	44.71	5.1	1270	11.9	2650	10.3	2620	8.9	1990								
2400	60			584	5213	1.5	39.77	6.5	1510	11.9	2660	10.8	2700	8.9	1990								
2400	72			490	4369	1.8	33.26	6.7	1500	11.6	2610	11.3	2700	8.7	1950								
2400	76			463	4127	1.8	31.38	6.7	1510	11.7	2630	11.5	2700	8.7	1950								
2400	82			430	3837	2.0	29.20	6.7	1500	11.6	2610	11.6	2700	8.7	1940								
2400	92			385	3432	2.2	26.07	6.7	1490	11.5	2580	11.8	2700	8.5	1920								
2400	98			362	3227	2.4	24.56	6.6	1470	11.3	2540	11.9	2700	8.4	1890								
2400	107			331	2951	2.4	22.41	6.5	1470	11.3	2530	12.0	2700	8.4	1880								
2400	120			293	2615	2.6	19.93	6.4	1440	11.1	2480	12.0	2700	8.2	1840								
2400	137			258	2301	2.8	17.52	6.2	1380	10.6	2370	12.0	2700	7.9	1770								
2400	147	240	2139	2.6	16.30	6.1	1370	10.5	2350	12.0	2700	7.8	1750										
2400	165	215	1914	2.7	14.56	6.0	1340	10.3	2300	12.0	2700	7.6	1710										
2400	192	185	1646	2.9	12.51	5.8	1310	10.0	2230	12.0	2700	7.4	1670										
2400	216	163	1458	3.2	11.13	5.7	1280	9.7	2180	12.0	2700	7.2	1630										
2400	273	129	1154	3.7	8.78	5.4	1210	9.0	2030	12.0	2700	6.9	1550										



P_1		n_1	n_2	M_2		f_B	i_{tot}	F_R / F_A				F_{RVL} / F_{AVL}				Model type		
[kW]	[hp]			[Nm]	[lb-in]			F_R	F_A	F_{RVL}	F_{AVL}	[kN]	[lb]	[kN]	[lb]		[kN]	[lb]
3.70	5.00	2400	46	772	6882	0.8	52.44	0.0	0	14.5	3250	9.0	2020	14.5	3250	SK 9016.1 - 90 F4/8	46.6	102.7
		2400	52	680	6062	0.9	46.11	4.2	850	14.6	3270	9.0	2020	14.6	3270			
		2400	59	602	5367	1.0	40.92	6.1	1370	14.6	3280	9.0	2020	14.6	3280			
		2400	69	513	4577	1.2	34.81	6.6	1480	14.6	3260	9.0	2020	14.6	3260			
		2400	79	448	3997	1.3	30.52	6.9	1550	14.4	3240	9.0	2020	14.4	3240			
		2400	91	387	3453	1.5	26.29	7.2	1620	14.2	3190	9.0	2020	14.2	3190			
		2400	104	341	3041	1.5	23.11	7.4	1660	14.0	3150	9.0	2020	14.0	3150			
		2400	117	302	2692	1.9	20.51	7.6	1700	13.8	3100	9.0	2020	13.8	3100			
		2400	137	257	2296	2.1	17.45	7.7	1740	13.5	3020	9.0	2020	13.5	3020			
		2400	157	225	2005	2.3	15.10	7.9	1760	13.2	2950	9.0	2020	13.2	2950			
		2400	192	184	1640	2.8	12.51	8.0	1790	12.6	2830	9.0	2020	12.6	2830			
		2400	69	513	4577	0.8	34.81	0.0	620	14.6	3260	7.0	2020	14.6	3260	SK 9012.1 - 90 F4/8	45.6	100.5
		2400	76	463	4133	0.9	31.45	0.0	1160	14.6	3270	7.6	2020	14.6	3270			
		2400	87	408	3640	1.0	27.65	3.8	1430	14.4	3230	8.1	2020	14.4	3230			
		2400	98	361	3223	1.1	24.53	5.2	1530	14.2	3190	8.4	2020	14.2	3190			
		2400	115	308	2749	1.3	20.87	5.8	1630	13.9	3120	8.8	2020	13.9	3120			
		2400	137	257	2296	1.5	17.45	6.2	1710	13.5	3020	9.0	2020	13.5	3020			
		2400	157	225	2005	1.7	15.3	6.4	1740	13.2	2950	9.0	2020	13.2	2950			
		2400	196	181	1611	1.2	12.23	6.6	1790	12.4	2780	9.0	2020	12.4	2780			
		2400	221	160	1426	1.3	10.85	6.7	1810	12.1	2710	9.0	2020	12.1	2710			
		2400	259	136	1216	1.4	9.23	6.8	1820	11.7	2630	9.0	2020	11.7	2630			
		2400	297	119	1062	1.5	8.09	6.9	1830	11.4	2560	9.0	2020	11.4	2560			

SK 920072.1 - SK 92172.1



Type	Ød ^{k6}	l	t	u	v	w	Type	ØD	ØH ^{H7}	mH	LH	tH	uH	Type	a	a1	b	b1	b2
SK 920072.1V	20	40	22.5	6	4	32	SK 920072.1A	30	20	100	22	22.8	6	SK 920072.1V/A	60	30	75	67.5	90
SK 92072.1 V	25	50	28	8	5	40	SK 92072.1 A	40	25	121	30	28.3	8	SK 92072.1 V/A	70	35	90	58	110.5
SK 92172.1 V	25	50	28	8	5	40	SK 92172.1 A	50	25	125	30	28.3	8	SK 92172.1 V/A	80	40	90	60	112.5

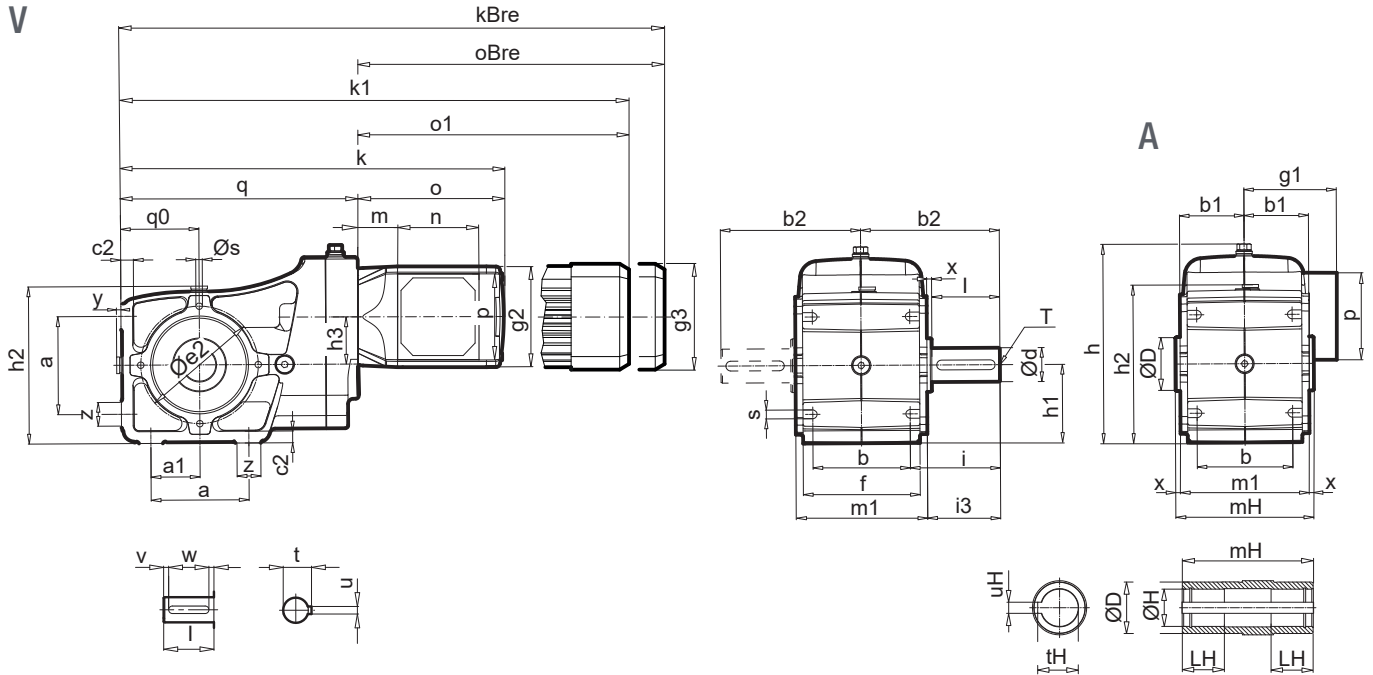
Type	c2	Øe2	f	h	h1	h2	h3	i	i3	m1	n	p	q0	Øs	s	T	x	y	z
SK 920072.1V/A	7	80	90	154	50	104	31	52.5	42.5	95	105	105	50	M8x18	7	M6	2.5	7	20
SK 92072.1 V/A	8	106	107	162	56	118	31	65.5	52.5	116	105	105	56	M8x18	6.6	M10	2.5	12	25
SK 92172.1 V/A	9	106	107	180	63	130	39	67.5	52.5	120	105	105	63	M8x18	9	M10	2.5	15	20

Type	71 N1, N2, N3 /8								90 N1, N2, N3 /8							
	q	m	k	o	kBRE	oBRE	g1	g2	m	k	o	kBRE	oBRE	g1	g2	
SK 920072.1V	154	54.6	343	189	388	234	122	125	51.5	391	237	446	291	137	155	
SK 92072.1 V	174	54.6	363	189	408	234	122	125	51.5	411	237	466	291	137	155	
SK 92172.1 V	202	54.6	391	189	436	234	122	125	51.5	439	237	494	291	137	155	
SK 920072.1A	154	54.6	343	189	388	234	122	125	51.5	391	237	446	291	137	155	
SK 92072.1 A	174	54.6	363	189	408	234	122	125	51.5	411	237	466	291	137	155	
SK 92172.1 A	202	54.6	391	189	436	234	122	125	51.5	439	237	494	291	137	155	

Type	71 F1, F2, F3, F4 ¹⁾ /8								90 F1, F2, F3 ¹⁾ , F4 ¹⁾ /8							
	q	m	k1	o1	kBRE	oBRE	g1	g3	m	k1	o1	kBRE	oBRE	g1	g3	
SK 920072.1V	154	54.5	399	245	436	282	122	132								
SK 92072.1 V	174	54.5	419	245	456	282	122	132	51.5	447	273	500	326	137	162	
SK 92172.1 V	202	54.5	447	245	484	282	122	132	51.5	475	273	528	326	137	162	
SK 920072.1A	154	54.5	399	245	436	282	122	132								
SK 92072.1 A	174	54.5	419	245	456	282	122	132	51.5	447	273	500	326	137	162	
SK 92172.1 A	202	54.5	447	245	484	282	122	132	51.5	475	273	528	326	137	162	

1) 71 F4/8 + 27 mm , 90 F3/8, F4/8 + 40 mm

All specifications in mm, unless marked otherwise.



Type	Ød ^{k6}	l	t	u	v	w	Type	ØD	ØH ^{H7}	mH	LH	tH	uH	Type	a	a1	b	b1	b2
SK 92372.1 V	30	60	33	8	5	50	SK 92372.1 A	60	30	145	45	33.3	8	SK 92372.1 V/A	100	50	100	70	132.5
SK 92672.1 V	35	70	38	10	5	60	SK 92672.1 A	75	35	170	60	38.0	10	SK 92672.1 V/A	120	60	120	81	155
SK 92772.1 V	40	80	43	12	5	70	SK 92772.1 A	85	40	192	60	43.0	12	SK 92772.1 V/A	140	70	140	93	176

Type	c2	Øe2	f	h	h1	h2	h3	i	i3	m1	n	p	q0	Øs	s	T	x	y	z
SK 92372.1 V/A	12	130	120	194	80	166	45	82.5	62.5	140	105	105	80	M10x20	9	M10	2.5	15	24
SK 92672.1 V/A	16	160	145	247	100	202	57	95	74	162	105	105	100	M10x20	11	M12	4.0	15	30
SK 92772.1 V/A	17	175	176	284	112	225	77	106	83	186	105	105	112	M12x20	13.5	M16	3.0	15	30

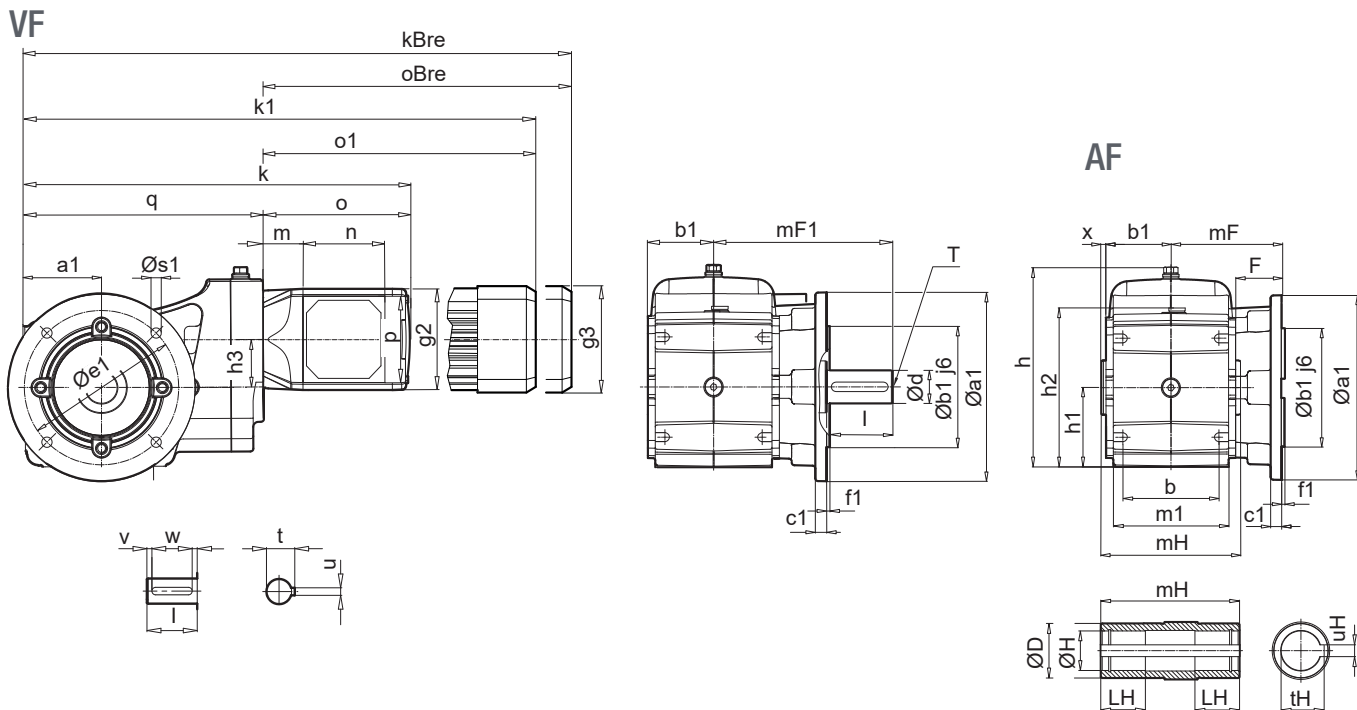
Type	q	71 N1, N2, N3 /8						90 N1, N2, N3 /8							
		m	k	o	kBRE	oBRE	g1	g2	m	k	o	kBRE	oBRE	g1	g2
SK 92372.1 V	242	60.6	437	195	482	240	122	125	78.5	506	264	561	318	137	155
SK 92672.1 V	294	60.6	488	195	482	240	122	125	78.5	558	264	613	318	137	155
SK 92772.1 V	334	60.6	529	195	574	240	122	125	78.5	598	264	653	318	137	155
SK 92372.1 A	242	60.6	437	195	482	240	122	125	78.5	506	264	561	318	137	155
SK 92672.1 A	294	60.6	488	195	482	240	122	125	78.5	558	264	613	318	137	155
SK 92772.1 A	334	60.6	529	195	574	240	122	125	78.5	598	264	653	318	137	155

Type	q	71 F1, F2, F3, F4 ¹⁾ /8						90 F1, F2, F3 ¹⁾ , F4 ¹⁾ /8							
		m	k1	o1	kBRE	oBRE	g1	g3	m	k1	o1	kBRE	oBRE	g1	g3
SK 92372.1 V	242	60.5	493	251	530	288	122	132	78.5	542	300	595	353	137	162
SK 92672.1 V	294	60.5	545	251	582	288	122	132	78.5	594	300	647	353	137	162
SK 92772.1 V	334	60.5	585	251	622	288	122	132	78.5	634	300	687	353	137	162
SK 92372.1 A	242	60.5	493	251	530	288	122	132	78.5	542	300	595	353	137	162
SK 92672.1 A	294	60.5	545	251	582	288	122	132	78.5	594	300	647	353	137	162
SK 92772.1 A	334	60.5	585	251	622	288	122	132	78.5	634	300	687	353	137	162

All specifications in mm, unless marked otherwise.

1) 71 F4/8 + 27 mm, 90 F3/8, F4/8 + 40 mm

SK 920072.1 .F - SK 92172.1 .F



Type	Ød ^{k6}	l	t	u	v	w
SK 920072.1VF	20	40	22.5	6	4	32
SK 92072.1 VF	25	50	28	8	5	40
SK 92172.1 VF	25	50	28	8	5	40

Type	Øa1	Øb1	c1	Øe1	f1	Øs1
SK 920072.1VF/AF	120	70	12	100	3	4 x 7
SK 92072.1VF/AF	140	95	10	115	3	4 x 9
SK 92172.1 VF/AF	160	110	12	130	3.5	4 x 9

Type	ØD	ØH ^{H7}	mH	LH	tH	uH
SK 920072.1AF	30	20	100	22	22.8	6
SK 92072.1 AF	40	25	121	30	28.3	8
SK 92172.1 AF	50	25	125	30	28.3	8

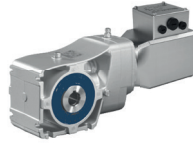
Type	a1	b	b1	F	mF	mF1	h	h1	h2	h3	m1	n	p	T	x
SK 920072.1VF/AF	50	75	67.5	34	83.5	109.5	154	50	104	31	90	105	105	M6	2.5
SK 92072.1 VF/AF	56	90	58	25	83	133	162	56	117.5	31	107	105	105	M10	2.5
SK 92172.1 VF/AF	63	90	60	32	92	142	180	63	130	39	107	105	105	M10	2.5

Type	71 N1, N2, N3 /8								90 N1, N2, N3 /8						
	q	m	k	o	kBRE	oBRE	g1	g2	m	k	o	kBRE	oBRE	g1	g2
SK 920072.1VF	154	54.6	343	189	388	234	122	125	51.5	391	237	446	291	137	155
SK 92072.1 VF	174	54.6	363	189	408	234	122	125	51.5	411	237	466	291	137	155
SK 92172.1 VF	202	54.6	391	189	436	234	122	125	51.5	439	237	494	291	137	155
SK 920072.1AF	154	54.6	343	189	388	234	122	125	51.5	391	237	446	291	137	155
SK 92072.1 AF	174	54.6	363	189	408	234	122	125	51.5	411	237	466	291	137	155
SK 92172.1 AF	202	54.6	391	189	436	234	122	125	51.5	439	237	494	291	137	155

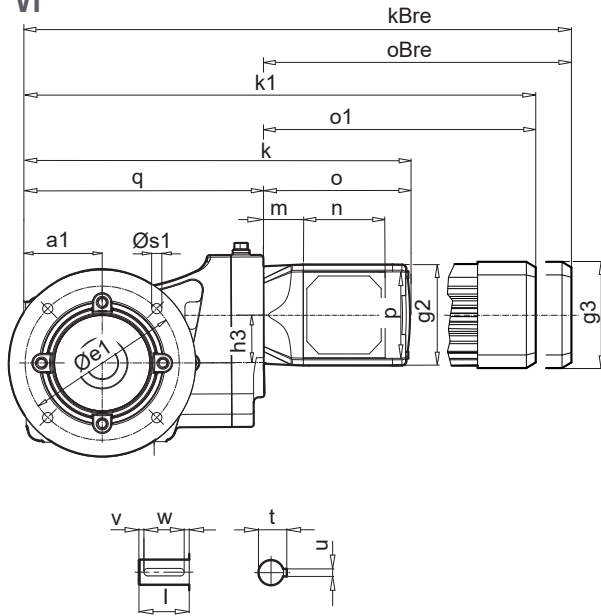
Type	71 F1, F2, F3, F4 ¹⁾ /8								90 F1, F2, F3 ¹⁾ , F4 ¹⁾ /8						
	q	m	k1	o1	kBRE	oBRE	g1	g3	m	k1	o1	kBRE	oBRE	g1	g3
SK 920072.1VF	154	54.5	399	245	436	282	122	132							
SK 92072.1 VF	174	54.5	419	245	456	282	122	132	51.5	447	273	500	326	137	162
SK 92172.1 VF	202	54.5	447	245	484	282	122	132	51.5	475	273	528	326	137	162
SK 920072.1AF	154	54.5	399	245	436	282	122	132							
SK 92072.1 AF	174	54.5	419	245	456	282	122	132	51.5	447	273	500	326	137	162
SK 92172.1 AF	202	54.5	447	245	484	282	122	132	51.5	475	273	528	326	137	162

1) 71 F4/8 + 27 mm , 90 F3/8, F4/8 + 40 mm

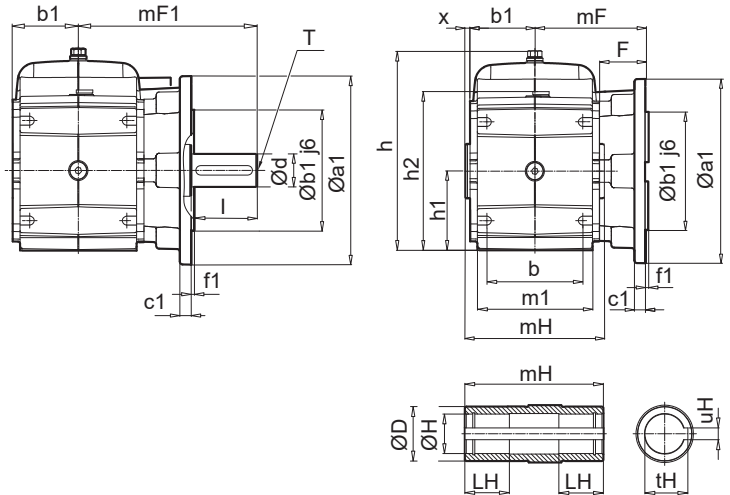
All specifications in mm, unless marked otherwise.



VF



AF



Type	Ød ^{k6}	l	t	u	v	w
SK 92372.1 VF	30	60	33	8	5	50
SK 92672.1 VF	35	70	38	10	7	56
SK 92772.1 VF	40	80	43	12	5	70

Type	Øa1	Øb1	c1	Øe1	f1	Øs1
SK 92372.1 VF/AF	160	110	12(10*)	130	3.5	4 x 9
SK 92672.1 VF/AF	200	130	12	165	3.5	4 x 11
SK 92772.1 VF/AF	250	180	15	215	4	4 x 13.5

Type	ØD	ØH ⁷	mH	LH	tH	uH
SK 92372.1 AF	60	30	145	45	33.3	8
SK 92672.1 AF	75	35	170	60	38.3	10
SK 92772.1 AF	85	40	192	60	43.3	12

Type	a1	b	b1	F	mF	mF1	h	h1	h2	h3	m1	n	p	T	x
SK 92372.1 VF/AF	80	100	70	50	120	180	200	60	166	45	120	105	105	M10	2.5
SK 92672.1 VF/AF	100	120	81	42	123	193	253	100	202	57	145	105	105	M12	4
SK 92772.1 VF/AF	112	140	93	46	139	219	284	112	225	77	176	105	105	M16	3

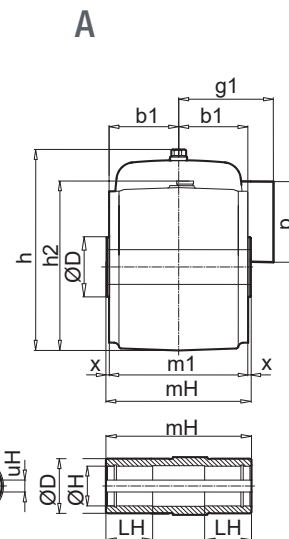
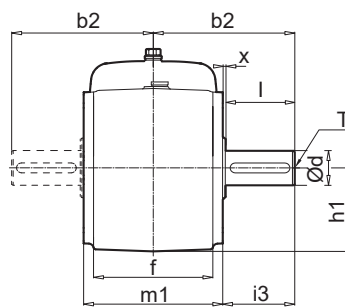
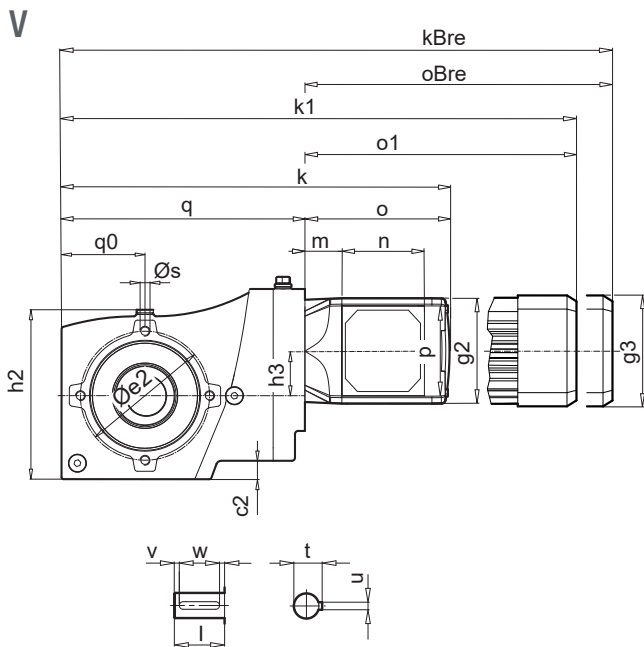
Type	71 N1, N2, N3 /8								90 N1, N2, N3 /8						
	q	m	k	o	kBRE	oBRE	g1	g2	m	k	o	kBRE	oBRE	g1	g2
SK 92372.1 VF	242	60.6	437	195	482	240	122	125	78.5	506	264	561	318	137	155
SK 92672.1 VF	294	60.6	488	195	533	240	122	125	78.5	558	264	613	318	137	155
SK 92772.1 VF	334	60.6	529	195	574	240	122	125	78.5	598	264	653	318	137	155
SK 92372.1 AF	242	60.6	437	195	482	240	122	125	78.5	506	264	561	318	137	155
SK 92672.1 AF	294	60.6	488	195	533	240	122	125	78.5	558	264	613	318	137	155
SK 92772.1 AF	334	60.6	529	195	574	240	122	125	78.5	598	264	653	318	137	155

Type	71 F1, F2, F3, F4 ¹⁾ /8								90 F1, F2, F3 ¹⁾ , F4 ¹⁾ /8						
	q	m	k1	o1	kBRE	oBRE	g1	g3	m	k1	o1	kBRE	oBRE	g1	g3
SK 92372.1 VF	242	60.5	493	251	530	288	122	132	78.5	542	300	595	353	137	162
SK 92672.1 VF	294	60.5	545	251	582	288	122	132	78.5	594	300	647	353	137	162
SK 92772.1 VF	334	60.5	585	251	622	288	122	132	78.5	634	300	687	353	137	162
SK 92372.1 AF	242	60.5	493	251	530	288	122	132	78.5	542	300	595	353	137	162
SK 92672.1 AF	294	60.5	545	251	582	288	122	132	78.5	594	300	647	353	137	162
SK 92772.1 AF	334	60.5	585	251	622	288	122	132	78.5	634	300	687	353	137	162

All specifications in mm, unless marked otherwise.

1) 71 F4/8 + 27 mm, 90 F3/8, F4/8 + 40 mm

SK 930072.1 - SK 93172.1



Type	Ød ^{k6}	l	t	u	v	w
SK 930072.1V	20	40	22.5	6	4	32
SK 93072.1 V	25	50	28	8	5	40
SK 93172.1 V	25	50	28	8	5	40

Type	ØD	ØH ^{H7}	mH	LH	tH	uH
SK 930072.1A	30	20	100	22	22.8	6
SK 93072.1 A	40	25	121	30	28.3	8
SK 93172.1 A	50	25	125	30	28.3	8

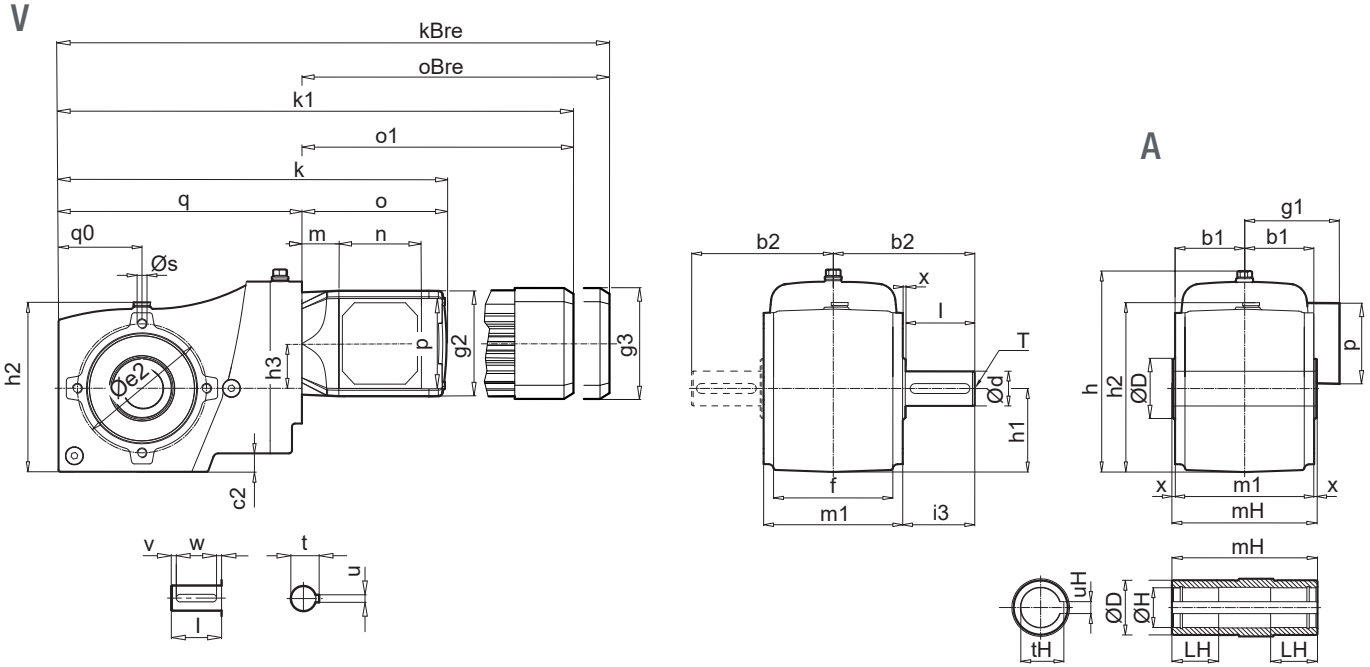
Type	b1	b2	c2	Øe2	f	h	h1	h2	h3	i3	m1	n	p	q0	Øs	T	x
SK 930072.1V/A	68	90	4	80	90	155	51	105	31	42.5	95	105	105	52	M8x16	M6	2.5
SK 93072.1 V/A	58	110.5	10	95	107	160	56	122	31	52.5	116	105	105	59	M8x18	M10	2.5
SK 93172.1 V/A	60	112.5	8	106	107	174	63	132	39	52.5	120	105	105	65	M8x18	M10	2.5

Type	71 N1, N2, N3 /8								90 N1, N2, N3 /8							
	q	m	k	o	kBRE	oBRE	g1	g2	m	k	o	kBRE	oBRE	g1	g2	
SK 930072.1V	156.5	54.6	345	189	390	234	122	125	51.5	394	237	449	291	137	155	
SK 93072.1 V	177	54.6	365	189	410	234	122	125	51.5	414	237	469	291	137	155	
SK 93172.1 V	204	54.6	393	189	438	234	122	125	51.5	441	237	496	291	137	155	
SK 930072.1A	156.5	54.6	345	189	390	234	122	125	51.5	394	237	449	291	137	155	
SK 93072.1 A	177	54.6	365	189	410	234	122	125	51.5	414	237	469	291	137	155	
SK 93172.1 A	204	54.6	393	189	438	234	122	125	51.5	441	237	496	291	137	155	

Type	71 F1, F2, F3, F4 ¹⁾ /8								90 F1, F2, F3 ¹⁾ , F4 ¹⁾ /8							
	q	m	k1	o1	kBRE	oBRE	g1	g3	m	k1	o1	kBRE	oBRE	g1	g3	
SK 930072.1V	156.5	54.5	402	245	439	282	122	132								
SK 93072.1 V	177	54.5	422	245	459	282	122	132	51.5	450	273	503	326	137	162	
SK 93172.1 V	204	54.5	449	245	486	282	122	132	51.5	477	273	530	326	137	162	
SK 930072.1A	156.5	54.5	402	245	439	282	122	132								
SK 93072.1 A	177	54.5	422	245	459	282	122	132	51.5	450	273	503	326	137	162	
SK 93172.1 A	204	54.5	449	245	486	282	122	132	51.5	477	273	530	326	137	162	

1) 71 F4/8 + 27 mm , 90 F3/8, F4/8 + 40 mm

All specifications in mm, unless marked otherwise.



Type	Ød ^{k6}	l	t	u	v	w
SK 93372.1 V	30	60	33	8	5	50
SK 93672.1 V	35	70	38	10	5	60
SK 93772.1 V	40	80	43	12	5	70

Type	ØD	ØH ⁷	mH	LH	tH	uH
SK 93372.1 A	60	30	145	45	33.3	8
SK 93672.1 A	75	35	170	60	38.0	10
SK 93772.1 A	85	40	192	60	43.0	12

Type	b1	b2	c2	Øe2	f	h	h1	h2	h3	i3	m1	n	p	q0	Øs	T	x
SK 93372.1 V/A	70	132.5	19	130	120	194	80	170	45	62.5	140	105	105	84	M10x20	M10	2.5
SK 93672.1 V/A	81	155	28	160	145	247	100	208	57	74	162	105	105	104	M10x20	M12	4.0
SK 93772.1 V/A	93	176	24	175	176	284	112	248	77	83	186	105	105	117	M12x20	M16	3.0

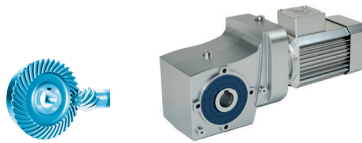
Type	q	71 N1, N2, N3 /8						90 N1, N2, N3 /8							
		m	k	o	kBRE	oBRE	g1	g2	m	k	o	kBRE	oBRE	g1	g2
SK 93372.1 V	246	60.6	441	195	486	240	122	125	78.5	510	264	565	318	137	155
SK 93672.1 V	298	60.6	493	195	538	240	122	125	78.5	562	264	617	318	137	155
SK 93772.1 V	339	60.6	534	195	579	240	122	125	78.5	603	264	658	318	137	155
SK 93372.1 A	246	60.6	441	195	486	240	122	125	78.5	510	264	565	318	137	155
SK 93672.1 A	298	60.6	493	195	538	240	122	125	78.5	562	264	617	318	137	155
SK 93772.1 A	339	60.6	534	195	579	240	122	125	78.5	603	264	658	318	137	155

Type	q	71 F1, F2, F3, F4 ¹⁾ /8						90 F1, F2, F3 ¹⁾ , F4 ¹⁾ /8							
		m	k1	o1	kBRE	oBRE	g1	g3	m	k1	o1	kBRE	oBRE	g1	g3
SK 93372.1 V	246	60.5	497	251	534	288	122	132	78.5	546	300	599	353	137	162
SK 93672.1 V	298	60.5	549	251	586	288	122	132	78.5	598	300	651	353	137	162
SK 93772.1 V	339	60.5	590	251	627	288	122	132	78.5	639	300	692	353	137	162
SK 92372.1 A	246	60.5	497	251	534	288	122	132	78.5	546	300	599	353	137	162
SK 92672.1 A	298	60.5	549	251	586	288	122	132	78.5	598	300	651	353	137	162
SK 92772.1 A	339	60.5	590	251	627	288	122	132	78.5	639	300	692	353	137	162

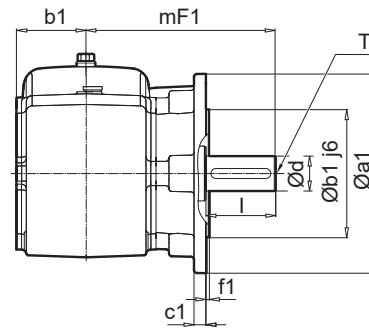
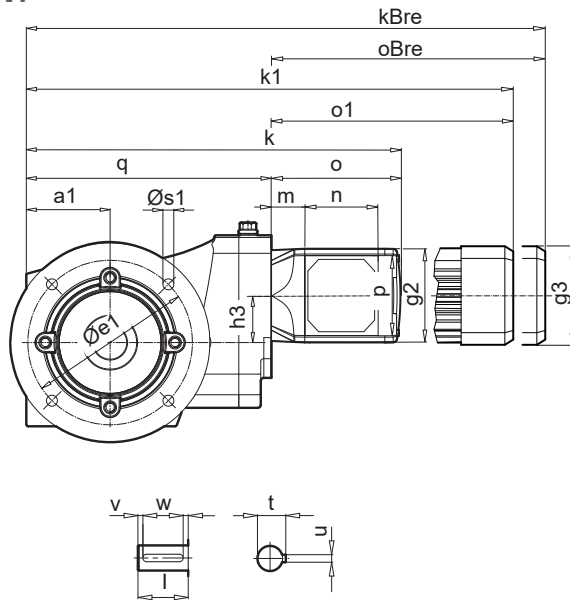
All specifications in mm, unless marked otherwise.

1) 71 F4/8 + 27 mm, 90 F3/8, F4/8 + 40 mm

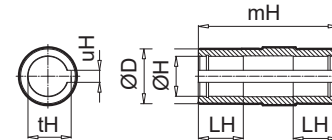
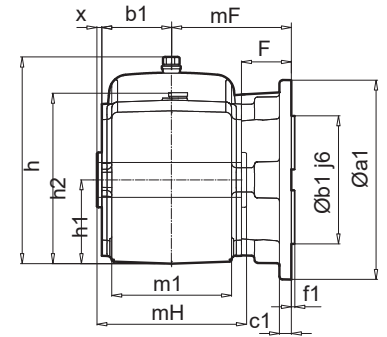
SK 930072.1 .F - SK 93172.1 .F



VF



AF



Type	Ød ^{k6}	l	t	u	v	w
SK 920072.1VF	20	40	22.5	6	4	32
SK 92072.1 VF	25	50	28	8	5	40
SK 92172.1 VF	25	50	28	8	5	40

Type	Øa1	Øb1	c1	Øe1	f1	Øs1	
SK 920072.1VF/AF	120	70	12	100	3	4 x 7	
SK 920072.1VF/AF	SK 92072.1 VF/AF	140	95	10	115	3	4 x 9
SK 92172.1 VF/AF	160	110	12	130	3.5	4 x 9	

Type	ØD	ØH ^{H7}	mH	LH	tH	uH
SK 920072.1AF	30	20	100	22	22.8	6
SK 92072.1 AF	40	25	121	30	28.3	8
SK 92172.1 AF	50	25	125	30	28.3	8

Type	a1	b	b1	F	mF	mF1	h	h1	h2	h3	m1	n	p	T	x
SK 920072.1VF/AF	50	75	67.5	34	83.5	109.5	154	50	104	31	90	105	105	M6	2.5
SK 92072.1 VF/AF	56	90	58	25	83	133	162	56	117.5	31	107	105	105	M10	2.5
SK 92172.1 VF/AF	63	90	60	32	92	142	180	63	130	39	107	105	105	M10	2.5

Type	71 N1, N2, N3 /8								90 N1, N2, N3 /8							
	q	m	k	o	kBRE	oBRE	g1	g2	m	k	o	kBRE	oBRE	g1	g2	
SK 920072.1VF	154	54.6	343	189	388	234	122	125	51.5	391	237	446	291	137	155	
SK 92072.1 VF	174	54.6	363	189	408	234	122	125	51.5	411	237	466	291	137	155	
SK 92172.1 VF	202	54.6	391	189	436	234	122	125	51.5	439	237	494	291	137	155	
SK 920072.1AF	154	54.6	343	189	388	234	122	125	51.5	391	237	446	291	137	155	
SK 92072.1 AF	174	54.6	363	189	408	234	122	125	51.5	411	237	466	291	137	155	
SK 92172.1 AF	202	54.6	391	189	436	234	122	125	51.5	439	237	494	291	137	155	

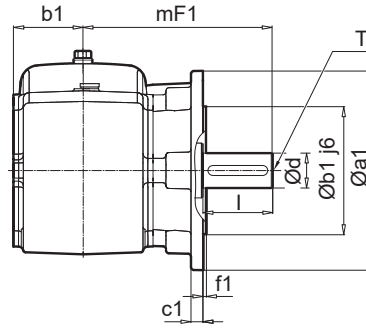
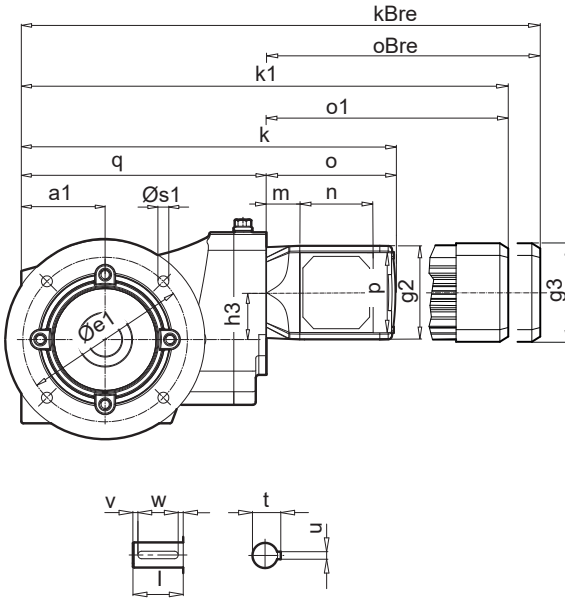
Type	71 F1, F2, F3, F4 ¹⁾ /8								90 F1, F2, F3 ¹⁾ , F4 ¹⁾ /8							
	q	m	k1	o1	kBRE	oBRE	g1	g3	m	k1	o1	kBRE	oBRE	g1	g3	
SK 920072.1VF	154	54.5	399	245	436	282	122	132								
SK 92072.1 VF	174	54.5	419	245	456	282	122	132	51.5	447	273	500	326	137	162	
SK 92172.1 VF	202	54.5	447	245	484	282	122	132	51.5	475	273	528	326	137	162	
SK 920072.1AF	154	54.5	399	245	436	282	122	132								
SK 92072.1 AF	174	54.5	419	245	456	282	122	132	51.5	447	273	500	326	137	162	
SK 92172.1 AF	202	54.5	447	245	484	282	122	132	51.5	475	273	528	326	137	162	

1) 71 F4/8 + 27 mm , 90 F3/8, F4/8 + 40 mm

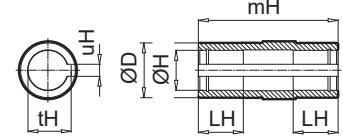
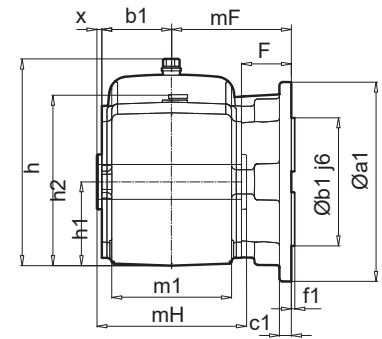
All specifications in mm, unless marked otherwise.



VF



AF



Type	Ød ^{k6}	l	t	u	v	w
SK 92372.1 VF	30	60	33	8	5	50
SK 92672.1 VF	35	70	38	10	7	56
SK 92772.1 VF	40	80	43	12	5	70

Type	Øa1	Øb1	c1	Øe1	f1	Øs1
SK 92372.1 VF/AF	160	110	12(10*)	130	3.5	4 x 9
SK 92372.1 VF/AF	200	130	12	165	3.5	4 x 11
SK 92772.1 VF/AF	250	180	15	215	4	4 x 13.5

Type	ØD	ØH ⁷	mH	LH	tH	uH
SK 92372.1 AF	60	30	145	45	33.3	8
SK 92672.1 AF	75	35	170	60	38.3	10
SK 92772.1 AF	85	40	192	60	43.3	12

Type	a1	b	b1	F	mF	mF1	h	h1	h2	h3	m1	n	p	T	x
SK 92372.1 VF/AF	80	100	70	50	120	180	200	60	166	45	120	105	105	M10	2.5
SK 92672.1 VF/AF	100	120	81	42	123	193	253	100	202	57	145	105	105	M12	4
SK 92772.1 VF/AF	112	140	93	46	139	219	284	112	225	77	176	105	105	M16	3

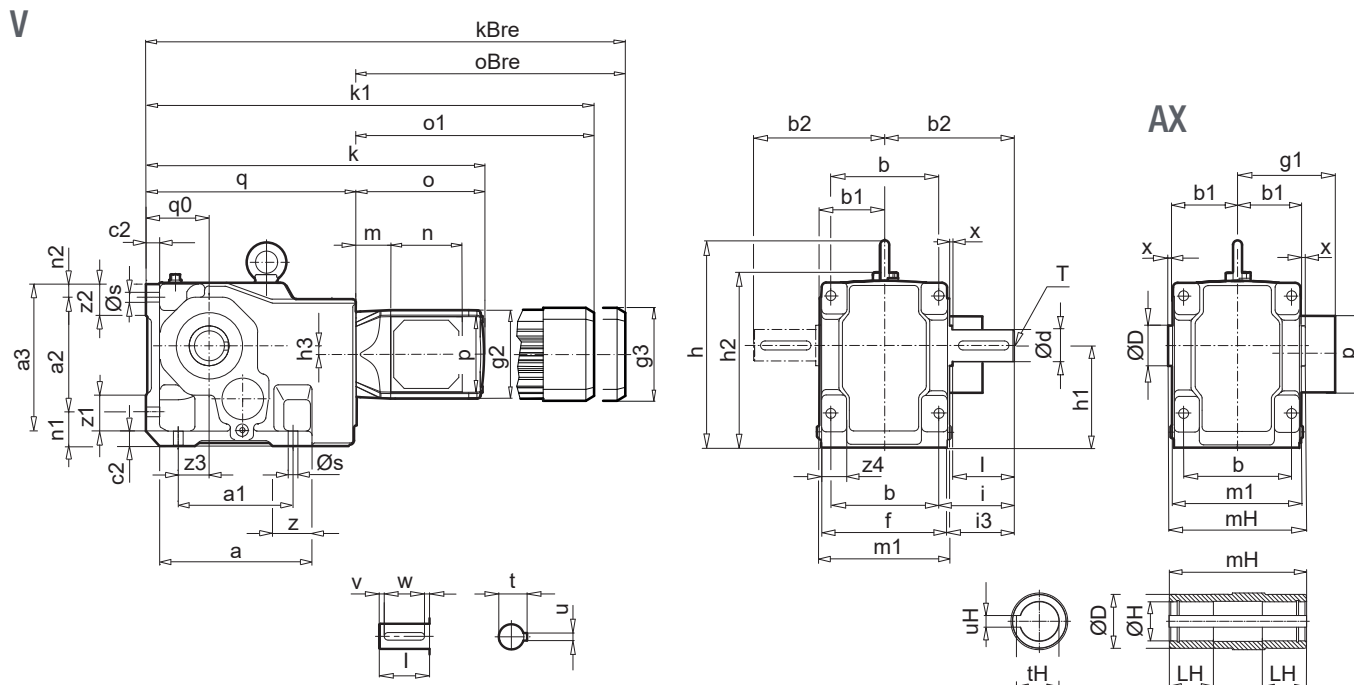
Type	71 N1, N2, N3 /8								90 N1, N2, N3 /8							
	q	m	k	o	kBRE	oBRE	g1	g2	m	k	o	kBRE	oBRE	g1	g2	
SK 92372.1 VF	242	60.6	437	195	482	240	122	125	78.5	506	264	561	318	137	155	
SK 92672.1 VF	294	60.6	488	195	482	240	122	125	78.5	558	264	613	318	137	155	
SK 92772.1 VF	334	60.6	529	195	574	240	122	125	78.5	598	264	653	318	137	155	
SK 92372.1 AF	242	60.6	437	195	482	240	122	125	78.5	506	264	561	318	137	155	
SK 92672.1 AF	294	60.6	488	195	482	240	122	125	78.5	558	264	613	318	137	155	
SK 92772.1 AF	334	60.6	529	195	574	240	122	125	78.5	598	264	653	318	137	155	

Type	71 F1, F2, F3, F4 ¹⁾ /8								90 F1, F2, F3 ¹⁾ , F4 ¹⁾ /8							
	q	m	k1	o1	kBRE	oBRE	g1	g3	m	k1	o1	kBRE	oBRE	g1	g3	
SK 92372.1 VF	242	60.5	493	251	530	288	122	132	78.5	542	300	595	353	137	162	
SK 92672.1 VF	294	60.5	545	251	582	288	122	132	78.5	594	300	647	353	137	162	
SK 92772.1 VF	334	60.5	585	251	622	288	122	132	78.5	634	300	687	353	137	162	
SK 92372.1 AF	242	60.5	493	251	530	288	122	132	78.5	542	300	595	353	137	162	
SK 92672.1 AF	294	60.5	545	251	582	288	122	132	78.5	594	300	647	353	137	162	
SK 92772.1 AF	334	60.5	585	251	622	288	122	132	78.5	634	300	687	353	137	162	

All specifications in mm, unless marked otherwise.

1) 71 F4/8 + 27 mm, 90 F3/8, F4/8 + 40 mm

SK 9012.1
SK 9016.1
SK 9022.1



Type	Ød ^{k6}	l	t	u	v	w	Type	ØD	ØH ^{H7}	mH	LH	tH	uH	Type	a	a1	a2	a3	b	b1	b2
SK 9012.1 V	30	60	33	8	5	50	SK 9012.1 AX	45	30	148	50	33.3	8	SK 9012.1 V/AX	173	130	130	166	120	71	135
SK 9016.1 V	35	70	38	10	7	56	SK 9016.1 AX	45	30	148	50	33.3	8	SK 9016.1 V/AX	173	130	130	166	120	71	145
SK 9022.1 V	35	70	38	10	5	60	SK 9022.1 AX	50	35	180	60	38.3	10	SK 9022.1 V/AX	190	120	130	188	140	86	161

Type	c2	f	h	h1	h2	h3	i	i3	m1	n	n1	n2	p	q0	Øs	T	x	z	z1	z2	z3	z4
SK 9012.1 V/AX	16	140	232	112	188	10	75	65	142	105	37	15	105	71	11	M10	3	45	40	36	35	28
SK 9016.1 V/AX	16	140	232	112	188	10	85	75	142	105	37	15	105	71	11	M12	3	45	40	36	35	28
SK 9022.1 V/AX	22	166	271	140	229	14	91	78	172	105	50	33	105	100	14	M12	4	60	50	58	30	38

Type	q	71 N1, N2, N3 /8						90 N1, N2, N3 /8							
		m	k	o	kBRE	oBRE	g1	g2	m	k	o	kBRE	oBRE	g1	g2
SK 9012.1 V	238	60.6	433	195	478	240	122	125	78.5	502	264	557	318	137	155
SK 9016.1 V	238	60.6	433	195	478	240	122	125	78.5	502	264	557	318	137	155
SK 9022.1 V	289	60.6	484	195	529	240	122	125	78.5	553	264	608	318	137	155
SK 9012.1 AX	238	60.6	433	195	478	240	122	125	78.5	502	264	557	318	137	155
SK 9016.1 AX	238	60.6	433	195	478	240	122	125	78.5	502	264	557	318	137	155
SK 9022.1 AX	289	60.6	484	195	529	240	122	125	78.5	553	264	608	318	137	155

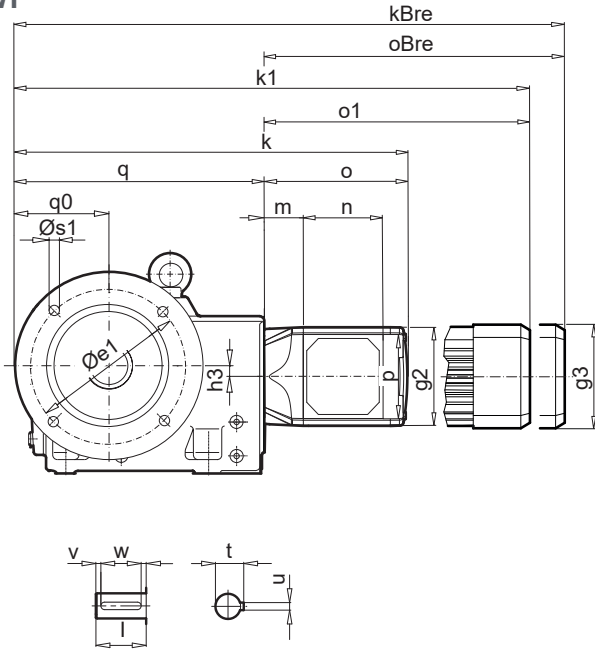
Type	q	71 F1, F2, F3, F4 ¹⁾ /8						90 F1, F2, F3 ¹⁾ , F4 ¹⁾ /8							
		m	k1	o1	kBRE	oBRE	g1	g3	m	k1	o1	kBRE	oBRE	g1	g3
SK 9012.1 V	238	60.5	489	251	526	288	122	132	78.5	538	300	591	353	137	162
SK 9016.1 V	238	60.5	489	251	526	288	122	132	78.5	538	300	591	353	137	162
SK 9022.1 V	289	60.5	540	251	577	288	122	132	78.5	589	300	642	353	137	162
SK 9012.1 AX	238	60.5	489	251	526	288	122	132	78.5	538	300	591	353	137	162
SK 9016.1 AX	238	60.5	489	251	526	288	122	132	78.5	538	300	591	353	137	162
SK 9022.1 AX	289	60.5	540	251	577	288	122	132	78.5	589	300	642	353	137	162

1) 71 F4/8 + 27 mm, 90 F3/8, F4/8 + 40 mm

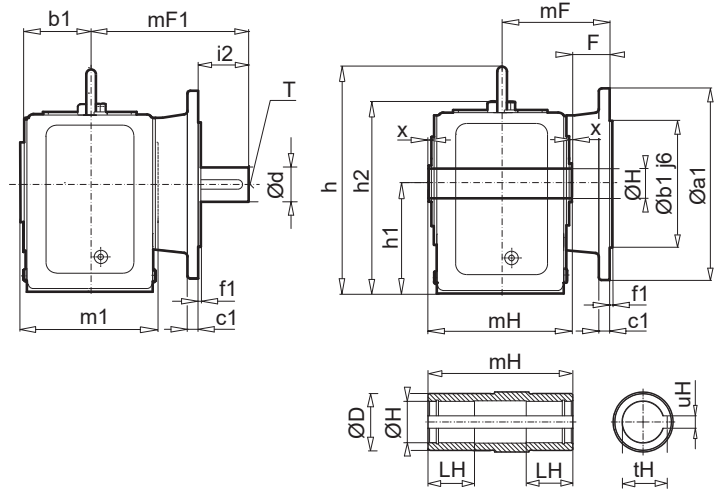
All specifications in mm, unless marked otherwise.



VF



AF



Type	Ød ^{H6}	l	t	u	v	w
SK 9012.1 VF	30	60	33	8	5	50
SK 9016.1 VF	35	70	38	10	7	56
SK 9022.1 VF	40	80	38	10	5	60

Type	ØD	ØH ^{H7}	mH	LH	tH	uH
SK 9012.1 AF	50	35	148	50	38.3	10
SK 9016.1 AF	50	40(35)	148	50	42.2(38.3)	12(10)
SK 9022.1 AF	55	40	180	60	43.3	12

Type	Øa1	Øb1	c1	Øe1	f1	Øs1
SK 9012.1 VF/AF	200	130	12	165	3.5	4 x 11
SK 9016.1 VF/AF	200	130	12	165	3.5	4 x 11
SK 9022.1 VF/AF	250	180	16	215	4.0	4 x 14

Type	b1	F	mF	mF1	h	h1	h2	h3	i2	m1	n	p	q0	T	x
SK 9012.1 VF/AF	71	39	113	134	232	112	188	10	21	142	105	105	100	M10	3
SK 9016.1 VF/AF	71	39	113	134	232	112	188	10	21	142	105	105	100	M12	3
SK 9022.1 VF/AF	82	44	134	160	280	143	240	14	26	172	105	105	125	M12	4

Type	71 N1, N2, N3 /8								90 N1, N2, N3 /8							
	q	m	k	o	kBRE	oBRE	g1	g2	m	k	o	kBRE	oBRE	g1	g2	
SK 9012.1 VF	267	60.6	433	195	478	240	122	125	78.5	502	264	557	318	137	155	
SK 9016.1 VF	267	60.6	433	195	478	240	122	125	78.5	502	264	557	318	137	155	
SK 9022.1 VF	314	60.6	484	195	529	240	122	125	78.5	553	264	608	318	137	155	
SK 9012.1 AF	267	60.6	433	195	478	240	122	125	78.5	502	264	557	318	137	155	
SK 9016.1 AF	267	60.6	433	195	478	240	122	125	78.5	502	264	557	318	137	155	
SK 9022.1 AF	314	60.6	484	195	529	240	122	125	78.5	553	264	608	318	137	155	

Type	71 F1, F2, F3, F4 ¹⁾ /8								90 F1, F2, F3 ¹⁾ , F4 ¹⁾ /8							
	q	m	k1	o1	kBRE	oBRE	g1	g3	m	k1	o1	kBRE	oBRE	g1	g3	
SK 9012.1 VF	267	60.5	518	251	555	288	122	132	78.5	567	300	620	353	137	162	
SK 9016.1 VF	267	60.5	518	251	555	288	122	132	78.5	567	300	620	353	137	162	
SK 9022.1 VF	314	60.5	565	251	602	288	122	132	78.5	618	300	671	353	137	162	
SK 9012.1 AF	267	60.5	518	251	555	288	122	132	78.5	567	300	620	353	137	162	
SK 9016.1 AF	267	60.5	518	251	555	288	122	132	78.5	567	300	620	353	137	162	
SK 9022.1 AF	314	60.5	565	251	602	288	122	132	78.5	618	300	671	353	137	162	

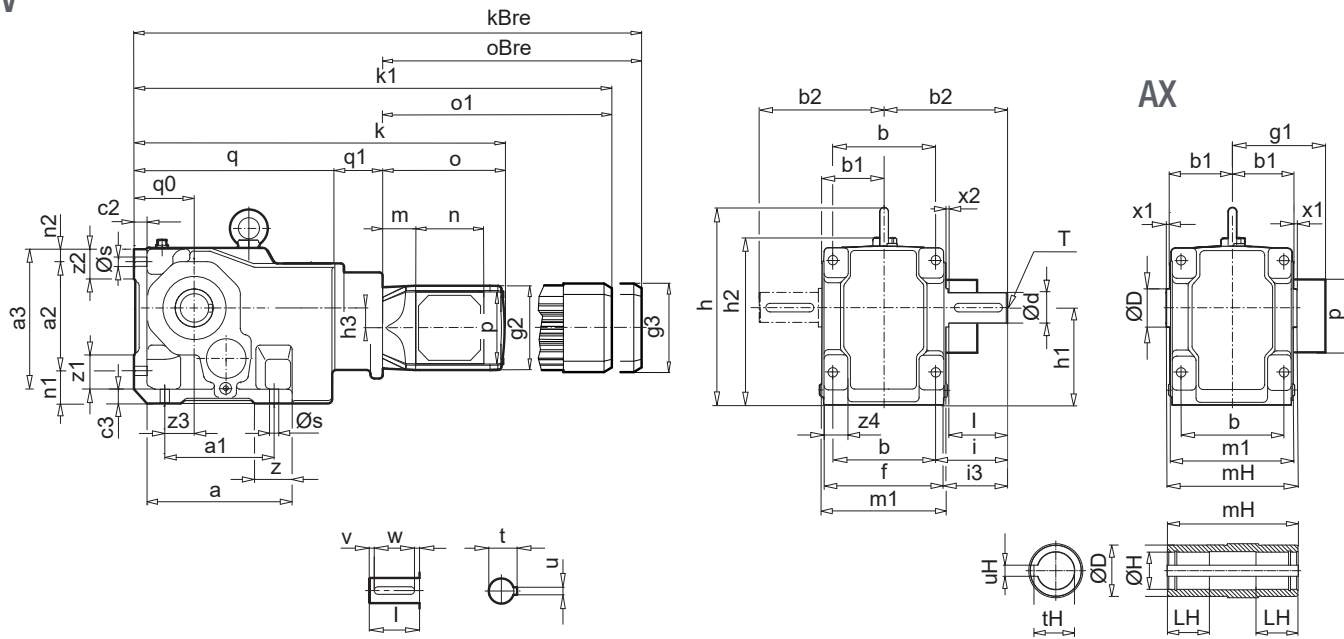
All specifications in mm, unless marked otherwise.

1) 71 F4/8 + 27 mm, 90 F3/8, F4/8 + 40 mm

SK 9013.1
SK 9017.1
SK 9023.1



V



Type	Ød ^{k6}	l	t	u	v	w	Type	ØD	ØH ^{H7}	mH	LH	tH	uH	Type	a	a1	a2	a3	b	b1	b2
SK 9013.1 V	30	60	33	8	5	50	SK 9013.1 AX	45	30	148	50	33.3	8	SK 9013.1 V/AX	173	130	130	166	120	71	135
SK 9017.1 V	35	70	38	10	7	56	SK 9017.1 AX	45	30	148	50	33.3	8	SK 9017.1 V/AX	173	130	130	166	120	71	145
SK 9023.1 V	35	70	38	10	5	60	SK 9023.1 AX	50	35	180	60	38.3	10	SK 9023.1 V/AX	190	120	130	188	140	86	161

Type	c2	c3	f	h	h1	h2	h3	i	i3	m1	n	n1	n2	p	q0	Øs	T	x1	x2	z	z1	z2	z3	z4
SK 9013.1 V/AX	16	16	140	229	112	188	40	75	65	142	105	37	15	105	71	11	M10	3	4	45	40	36	35	28
SK 9017.1 V/AX	16	16	140	229	112	188	40	85	75	142	105	37	15	105	71	11	M12	3	4	45	40	36	35	28
SK 9023.1 V/AX	24	22	166	271	140	229	44	91	78	172	105	50	33	105	100	14	M12	4	5	60	50	58	30	38

Type	71 N1, N2, N3 /8									90 N1, N2, N3 /8						
	q	q1	m	k	o	kBRE	oBRE	g1	g2	m	k	o	kBRE	oBRE	g1	g2
SK 9013.1 V	238	58	60.6	491	195	536	240	122	125							
SK 9017.1 V	238	58	60.6	491	195	536	240	122	125							
SK 9023.1 V	289	58	60.6	542	195	587	240	122	125							
SK 9013.1 AX	238	58	60.6	491	195	536	240	122	125							
SK 9017.1 AX	238	58	60.6	491	195	536	240	122	125							
SK 9023.1 AX	289	58	60.6	542	195	587	240	122	125							

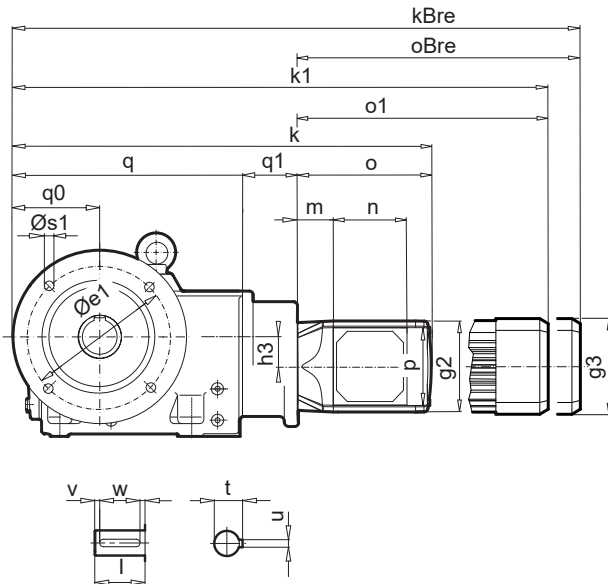
Type	71 F1, F2, F3, F4 ¹⁾ /8									90 F1, F2, F3 ¹⁾ , F4 ¹⁾ /8						
	q	q1	m	k1	o1	kBRE	oBRE	g1	g3	m	k1	o1	kBRE	oBRE	g1	g3
SK 9013.1 V	238	58	60.5	547	251	584	288	122	132							
SK 9017.1 V	238	58	60.5	547	251	584	288	122	132							
SK 9023.1 V	289	58	60.5	598	251	635	288	122	132							
SK 9013.1 AX	238	58	60.5	547	251	584	288	122	132							
SK 9017.1 AX	238	58	60.5	547	251	584	288	122	132							
SK 9023.1 AX	289	58	60.5	598	251	635	288	122	132							

1) 71 F4/8 + 27 mm , 90 F3/8, F4/8 + 40 mm

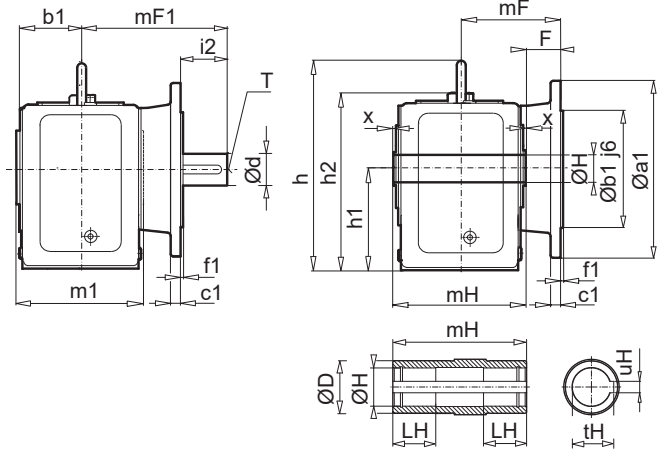
All specifications in mm, unless marked otherwise.



VF



AF



Type	Ød ^{k6}	l	t	u	v	w
SK 9013.1 VF	30	60	33	8	5	50
SK 9017.1 VF	35	70	38	10	7	56
SK 9023.1 VF	35	70	38	10	5	60

Type	ØD	ØH ^{H7}	mH	LH	tH	uH
SK 9013.1 AF	50	35	148	50	38.3	10
SK 9017.1 AF	50	40 (35)	148	50	42.2(38.3)	10
SK 9023.1 AF	55	40	180	60	43.3	12

Type	Øa1	Øb1	c1	Øe1	f1	Øs1
SK 9013.1 VF/AF	200	130	12	165	3.5	4 x 11
SK 9017.1 VF/AF	200	130	12	165	3.5	4 x 11
SK 9023.1 VF/AF	250	180	16	215	4	4 x 13.5

Type	b1	F	mF	mF1	h	h1	h2	h3	i2	m1	n	p	q0	T	x
SK 9013.1 VF/AF	71	39	113	135	232	112	191	40	21	142	105	105	100	M10	3
SK 9017.1 VF/AF	71	39	113	144	229	112	193	40	31	142	105	105	125	M12	3
SK 9023.1 VF/AF	86	44	134	160	281	143	240	44	26	172	105	105	125	M12	4

Type	71 N1, N2, N3 /8									90 N1, N2, N3 /8						
	q	q1	m	k	o	kBRE	oBRE	g1	g2	m	k	o	kBRE	oBRE	g1	g2
SK 9013.1 VF	267	58	60.6	520	195	565	240	122	125							
SK 9017.1 VF	267	58	60.6	520	195	565	240	122	125							
SK 9023.1 VF	314	58	60.6	567	195	612	240	122	125							
SK 9013.1 AF	267	58	60.6	520	195	565	240	122	125							
SK 9017.1 AF	267	58	60.6	520	195	565	240	122	125							
SK 9023.1 AF	314	58	60.6	567	195	612	240	122	125							

Type	71 F1, F2, F3, F4 ¹⁾ /8									90 F1, F2, F3 ¹⁾ , F4 ¹⁾ /8						
	q	q1	m	k1	o1	kBRE	oBRE	g1	g3	m	k1	o1	kBRE	oBRE	g1	g3
SK 9013.1 VF	267	58	60.5	576	251	613	288	122	132							
SK 9017.1 VF	267	58	60.5	576	251	613	288	122	132							
SK 9023.1 VF	314	58	60.5	623	251	660	288	122	132							
SK 9013.1 AF	267	58	60.5	576	251	613	288	122	132							
SK 9017.1 AF	267	58	60.5	576	251	613	288	122	132							
SK 9023.1 AF	314	58	60.5	623	251	660	288	122	132							

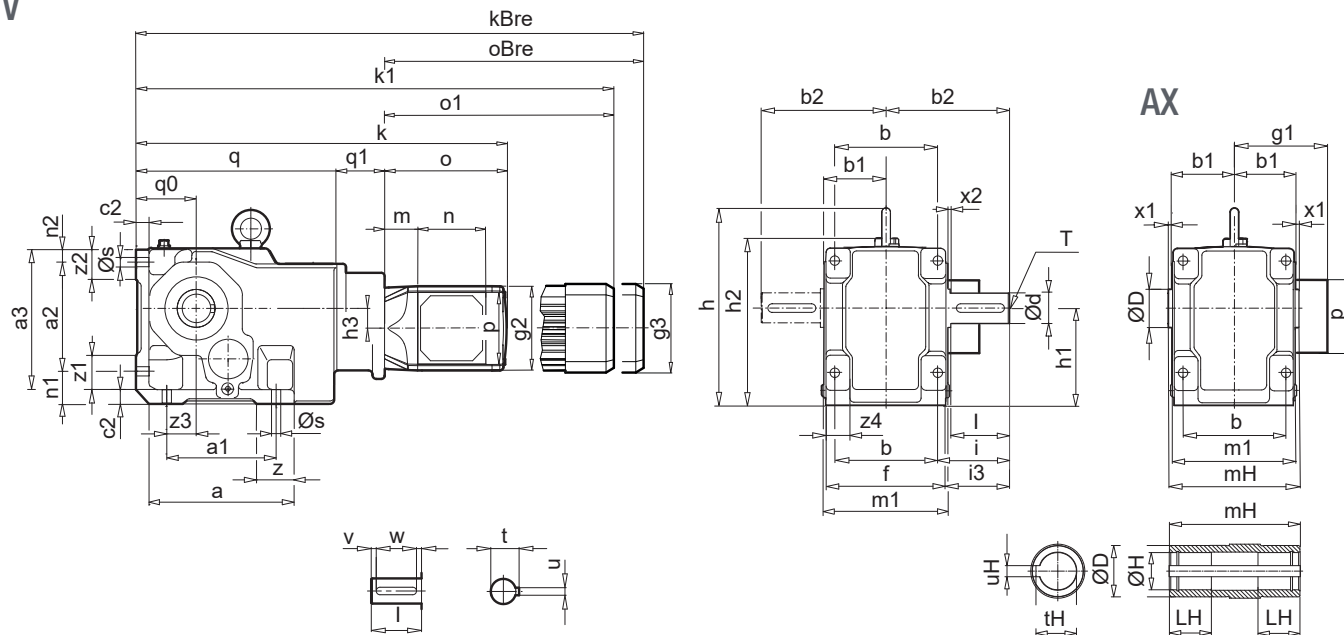
All specifications in mm, unless marked otherwise.

1) 71 F4/8 + 27 mm, 90 F3/8, F4/8 + 40 mm

SK 9033.1
SK 9043.1
SK 9053.1



V



Type	Ød	l	t	u	v	w	Type	ØD	ØH ¹⁾	mH	LH	tH	uH	Type	a	a1	a2	a3	b	b1	b2
SK 9033.1 V	45 ^{k6}	90	48.5	14	5	80	SK 9033.1 AX	55	40	210	70	43.3	12	SK 9033.1 V/AX	230	150	190	243	165	100	196
SK 9043.1 V	60 ^{m6}	120	64	16	10	100	SK 9043.1 AX	70	50	240	80	53.8	14	SK 9043.1 V/AX	260	180	220	290	180	115	240
SK 9053.1 V	70 ^{m6}	140	74.5	20	15	110	SK 9053.1 AX	100	70	300	100	74.9	20	SK 9053.1 V/AX	330	240	280	360	240	145	291

Type	c2	f	h	h1	h2	h3	i	i3	m1	n	n1	n2	p	q0	Øs	T	x1	x2	z	z1	z2	z3	z4
SK 9033.1 V/AX	25	195	330	180	288	74	114	99	200	105	65	20	105	112	17.5	M16	5	6	70	60	60	40	45.5
SK 9043.1 V/AX	32	220	390	212	347	97	150	130	230	105	77	30	105	132	22	M20	5	5	80	70	70	55	50
SK 9053.1 V/AX	38	285	477	265	425	117	171	148.5	290	105	85	35	105	160	26	M20	5	6	100	100	90	75	70

Type	71 N1, N2, N3 /8									90 N1, N2, N3 /8						
	q	q1	m	k	o	kBRE	oBRE	g1	g2	m	k	o	kBRE	oBRE	g1	g2
SK 9033.1 V	319	60	60.6	573	195	618	240	122	125	78.5	643	264	698	318	137	155
SK 9043.1 V	379	69	55	637	189	682	234	122	125							
SK 9053.1 V	460	69	55	718	189	763	234	122	125							
SK 9033.1 AX	319	60	60.6	573	195	618	240	122	125	78.5	643	264	698	318	137	155
SK 9043.1 AX	379	69	55	637	189	682	234	122	125							
SK 9053.1 AX	460	69	55	718	189	763	234	122	125							

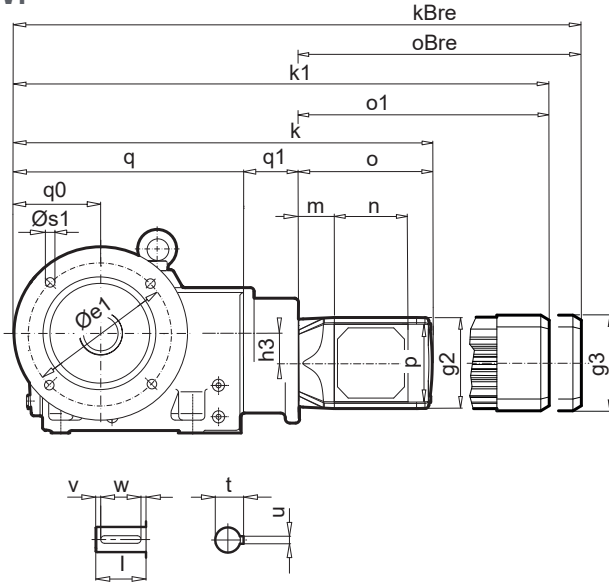
Type	71 F1, F2, F3, F4 ¹⁾ /8									90 F1, F2, F3 ¹⁾ , F4 ¹⁾ /8						
	q	q1	m	k1	o1	kBRE	oBRE	g1	g3	m	k1	o1	kBRE	oBRE	g1	g3
SK 9033.1 V	319	60	60.5	630	251	667	288	122	132	78.5	679	300	732	353	137	162
SK 9043.1 V	379	69	54.9	694	246	730	282	122	132							
SK 9053.1 V	460	69	54.9	775	246	811	282	122	132							
SK 9033.1 AX	319	60	60.5	630	251	667	288	122	132	78.5	679	300	732	353	137	162
SK 9043.1 AX	379	69	54.9	694	246	730	282	122	132							
SK 9053.1 AX	460	69	54.9	775	246	811	282	122	132							

1) 71 F4/8 + 27 mm , 90 F3/8, F4/8 + 40 mm

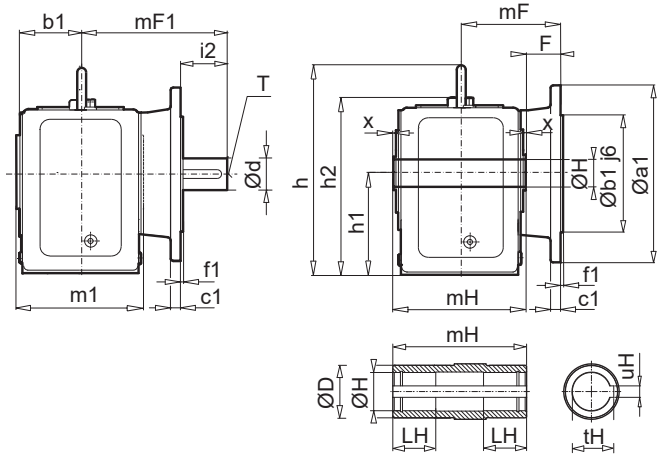
All specifications in mm, unless marked otherwise.



VF



AF



Type	Ød	l	t	u	v	w
SK 9033.1 VF	45 ^{k6}	90	48.5	14	5	80
SK 9043.1 VF	60 ^{m6}	120	64.0	18	10	100
SK 9053.1 VF	70 ^{m6}	140	74.5	20	15	110

Type	ØD	ØH ^{H7}	mH	LH	tH	uH
SK 9033.1 AF	70	50	210	70	53.8	14
SK 9043.1 AF	80	60	240	80	64.4	18
SK 9053.1 AF	100	70	300	100	74.9	20

Type	Øa1	Øb1	c1	Øe1	f1	Øs1
SK 9033.1 VF/AF	250	180	15	215	4	4 x 13.5
SK 9043.1 VF/AF	300	230	20	265	4	4 x 14
SK 9053.1 VF/AF	350	250	20	300	5	4 x 18
SK 9033.1 VF/AF	400	300	20	350	5	4 x 18
SK 9043.1 VF/AF	450	350	16	400	5	8 x 18

Type	b1	F	mF	mF1	h	h1	h2	h3	i2	m1	m	n	p	q0	T	x
SK 9033.1 VF/AF	100	45	150	196	335	180	294	74	46	202	105	105	125	125	M16	5
SK 9043.1 VF/AF	108	45	165	240	400	217	357	97	75	230	105	105	125	175	M20	7
SK 9053.1 VF/AF	141	50	201	291	479	262	427	117	90	290	105	105	125	200	M20	4

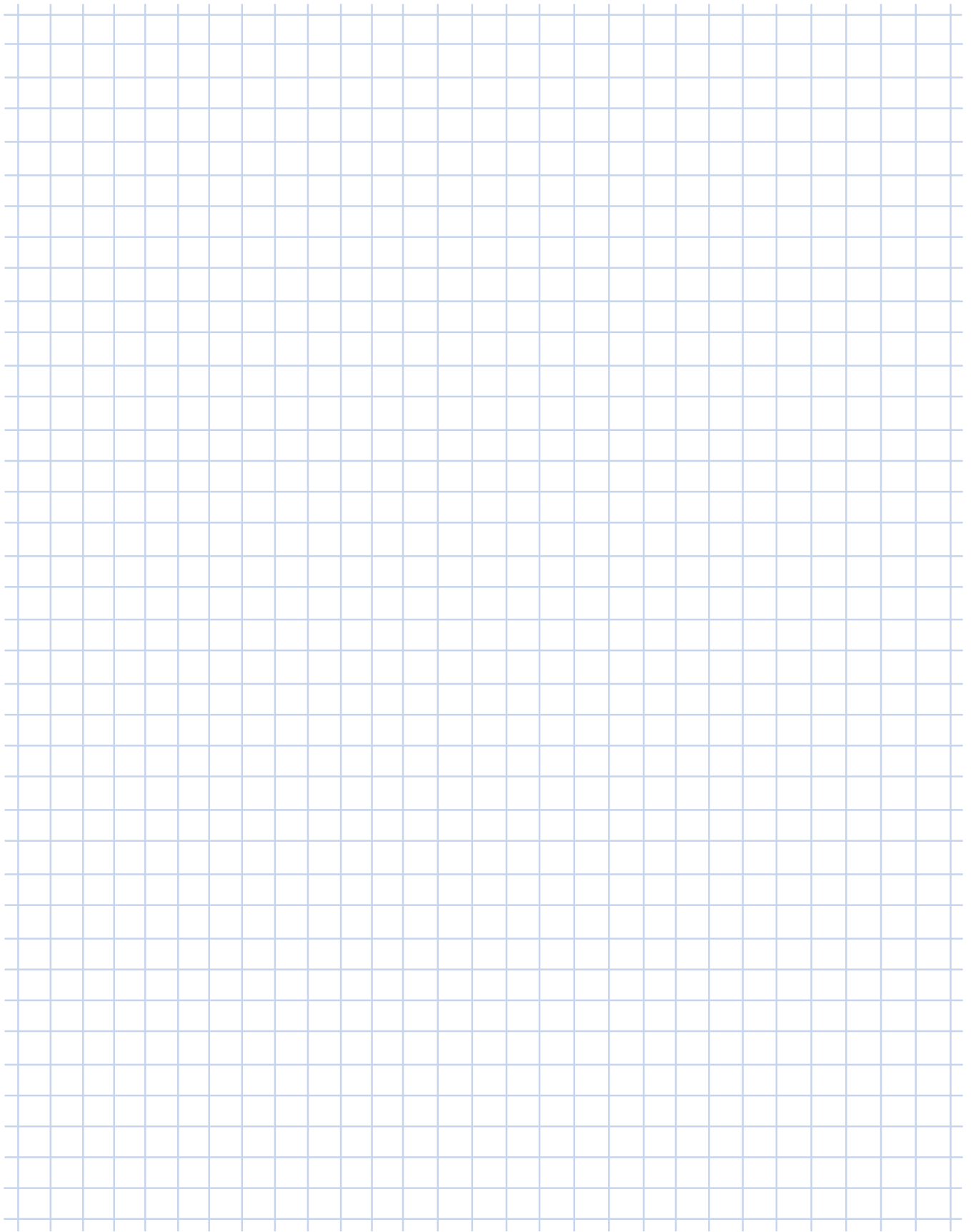
Type	71 N1, N2, N3 /8										90 N1, N2, N3 /8					
	q	q1	m	k	o	kBRE	oBRE	g1	g2	m	k	o	kBRE	oBRE	g1	g2
SK 9033.1 VF	331	60	60.6	586	195	631	240	122	125	78.5	656	264	711	318	137	155
SK 9043.1 VF	422	69	55	680	189	725	234	122	125							
SK 9053.1 VF	500	69	55	758	189	803	234	122	125							
SK 9033.1 AF	331	60	60.6	586	195	631	240	122	125	78.5	656	264	711	318	137	155
SK 9043.1 AF	422	69	55	680	189	725	234	122	125							
SK 9053.1 AF	500	69	55	758	189	803	234	122	125							

Type	71 F1, F2, F3, F4 ¹⁾ /8										90 F1, F2, F3 ¹⁾ , F4 ¹⁾ /8					
	q	q1	m	k1	o1	kBRE	oBRE	g1	g3	m	k1	o1	kBRE	oBRE	g1	g3
SK 9033.1 VF	331	60	60.5	643	251	680	288	122	132	78.5	692	300	744	353	137	162
SK 9043.1 VF	422	69	54.9	737	246	773	282	122	132							
SK 9053.1 VF	500	69	54.9	815	246	851	282	122	132							
SK 9033.1 AF	331	60	60.5	643	251	680	288	122	132	78.5	692	300	744	353	137	162
SK 9043.1 AF	422	69	54.9	737	246	773	282	122	132							
SK 9053.1 AF	500	69	54.9	815	246	851	282	122	132							

All specifications in mm, unless marked otherwise.

1) 71 F4/8 + 27 mm, 90 F3/8, F4/8 + 40 mm

Notes

A large grid area for taking notes, consisting of a 20x30 grid of light blue lines.

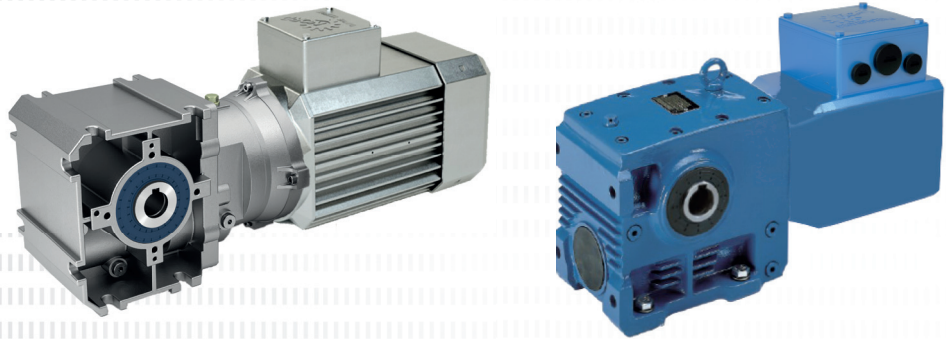
Worm gear units

Geared motor data

F 2 - 23

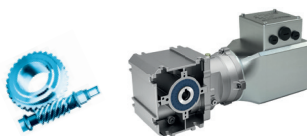
Dimensioned drawings


F 24 - 33



0.35 kW / 0.46 hp
0.70 kW / 0.95 hp
1.05 kW / 1.40 hp

TENV



P ₁		n ₁	n ₂	M ₂		f _B	i _{tot}	F _R /F _A				F _{RVL} /F _{AVL}				Model type	 [kg] [lb]					
								F _R	F _A	F _{RVL}	F _{AVL}	F _{RVL}	F _{AVL}									
[kW]	[hp]	[rpm]	[Nm]	[lb-in]				[kN]	[lb]	[kN]	[lb]	[kN]	[lb]	[kN]	[lb]							
0.35	0.46	2100	18	112	972	0.8	120	2670	470	4000	900					SK 02040.1 - 71 N1/8	9	19.8				
		2100	22	95.8	831	0.9	96.00	2920	540	4000	900											
		2100	29	77.0	668	1.1	72.00	3140	590	4000	900											
		2100	35	69.7	605	1.2	60.00	3200	610	4000	900											
		2100	44	57.9	503	1.4	48.00	3300	640	4000	900											
		2100	58	45.1	392	1.8	36.00	3380	660	4000	900											
		2100	70	34.3	298	2.2	30.00	3430	670	4000	900											
		2100	88	31.8	276	2.2	24.00	3440	670	4000	900											
		2100	105	25.3	219	2.6	20.00	3460	680	4000	900											
		2100	117	21.2	184	3.1	17.88	3470	680	4000	900											
		2100	140	19.5	170	3.3	15.00	3480	680	4000	900											
		2100	156	17.0	148	3.5	13.43	3480	680	4000	900											
		2100	176	15.4	134	3.8	11.92	3480	680	4000	900											
		2100	196	14.0	121	4.1	10.74	3420	680	4000	900											
		2100	235	11.9	103	4.7	8.94	3230	680	4000	900											
0.70	0.95	2100	58	90.3	809	0.9	36.00	2990	550	4000	900				SK 02040.1 - 71 N2/8	10.1	22.2					
		2100	70	68.6	614	1.1	30.00	3210	610	4000	900											
		2100	88	63.6	570	1.1	24.00	3250	620	4000	900											
		2100	105	50.6	453	1.3	20.00	3350	650	4000	900											
		2100	117	42.3	379	1.5	17.88	3390	660	4000	900											
		2100	140	39.1	350	1.7	15.00	3410	660	4000	900											
		2100	156	34.1	305	1.7	13.43	3430	670	4000	900											
		2100	176	30.9	277	1.9	11.92	3340	670	4000	900											
		2100	196	27.9	250	2.0	10.74	3250	670	4000	900											
		2100	235	23.8	213	2.4	8.94	3080	680	4000	900											
		2100	261	21.5	192	2.6	8.06	2990	670	4000	900											
		2100	352	16.5	148	3.1	5.96	2730	610	4000	900											
		2100	391	14.9	133	3.3	5.37	2650	590	4000	900											
		1.05	1.40	2100	105	75.8	667	0.9	20.00	3150	590	4000	900							SK 02040.1 - 71 N3/8	11.1	24.4
				2100	117	63.5	559	1.0	17.88	3260	620	4000	900									
2100	140			58.6	516	1.1	15.00	3270	630	4000	900											
2100	156			51.1	450	1.2	13.43	3260	650	4000	900											
2100	176			46.3	408	1.3	11.92	3150	650	4000	900											
2100	196			41.9	369	1.4	10.74	3080	660	4000	900											
2100	235			35.6	314	1.6	8.94	2930	660	4000	900											
2100	261			32.2	283	1.7	8.06	2850	640	4000	900											
2100	352			24.7	218	2.1	5.96	2610	590	4000	900											
2100	391			22.3	197	2.2	5.37	2540	570	4000	900											

NORDBLOC.1®
Worm gear units




P_1		n_1	n_2	M_2		f_B	i_{tot}	F_R / F_A				F_{RVL} / F_{AVL}				Model type	📦				
[kW]	[hp]			[rpm]	[Nm]			[lb-in]	F_R	F_A	F_{RVL}	F_{AVL}	[kN]	[lb]	[kN]		[lb]	[kg]	[lb]		
0.35	0.46	2100	0.42	3870	33570	0.8	5057.67	0	5960	27	6070	0	5960	28	6300	SK 43125 - 71 N1/8	117.9	259.9			
		2100	0.61	2676	23210	1.2	3442.09	16.2	5960	27	6070	16.2	5960	28	6300						
		2100	0.83	1998	17330	1.5	2526.44	19.7	5960	27	6070	19.7	5960	28	6300						
		2100	1.0	1648	14300	1.9	2056.63	21.0	5960	27	6070	21.0	5960	28	6300						
		2100	1.1	1503	13040	2.1	1860.07	21.4	5960	27	6070	21.4	5960	28	6300						
		2100	1.3	1336	11590	2.3	1639.55	21.8	5960	27	6070	21.8	5960	28	6300						
		2100	1.4	1215	10540	2.5	1476.55	22.1	5960	27	6070	22.1	5960	28	6300						
		2100	1.8	1007	8738	3.1	1198.50	22.5	5960	27	6070	22.5	5960	28	6300						
		2100	2.3	803	6970	3.8	928.25	22.9	5960	27	6070	22.9	5960	28	6300						
		2100	2.6	701	6082	4.4	794.58	23.0	5960	27	6070	23.0	5960	28	6300						
		2100	3.0	762	6609	3.7	689.67	22.9	5960	27	6070	22.9	5960	28	6300						
		2100	3.5	675	5857	4.0	607.91	23.0	5960	27	6070	23.0	5960	28	6300						
		2100	3.8	612	5311	5.0	547.47	23.1	5960	27	6070	23.1	5960	28	6300						
		2100	0.95	1668	14470	1.0	2200.07	10.1	3640	16	3600	10.1	3640	16	3600				SK 33100 - 71 N1/8	68.9	151.9
2100	1.3			1288	11180	1.2	1671.69	13.3	3640	16	3600	13.3	3640	16	3600						
2100	1.4			1171	10160	1.4	1507.71	14.0	3640	16	3600	14.0	3640	16	3600						
2100	1.8			932	8088	1.7	1175.19	15.2	3640	16	3600	15.2	3640	16	3600						
2100	3.2			560	4854	2.8	660.60	16.2	3640	16	3600	16.2	3640	16	3600						
2100	4.0			455	3950	3.5	519.31	16.2	3640	16	3600	16.2	3640	16	3600						
2100	4.5			417	3619	3.8	468.37	16.2	3640	16	3600	16.2	3640	16	3600						
2100	5.8			338	2933	4.5	365.07	16.2	3640	16	3600	16.2	3640	16	3600						
2100	3.3			549	4758	2.6	645.00	16.2	3640	16	3600	16.2	3640	16	3600	SK 32100 - 71 N1/8	60.9	134.3			
				2100	4.1	448	3889	3.2	510.00	16.2	3640	16	3600	16.2	3640						
2100	1.8	917	7955	0.8	1198.81	7.6	2920	12	2700	7.6	2920	12	2700	SK 13080 - 71 N1/8	39.9	88.0					
		2100	2.2	744	6457	1.0	956.44	9.5	2920	12	2700	9.5	2920				12	2700			
		2100	2.6	637	5529	1.2	805.28	10.4	2920	12	2700	10.4	2920				12	2700			
		2100	3.0	566	4910	1.4	706.25	10.9	2920	12	2700	10.9	2920				12	2700			
		2100	3.3	513	4446	1.5	630.68	11.2	2920	12	2700	11.2	2920				12	2700			
		2100	3.9	449	3891	1.7	542.07	11.5	2920	12	2700	11.5	2920				12	2700			
		2100	4.4	404	3501	1.9	482.13	11.7	2920	12	2700	11.7	2920				12	2700			
		2100	5.2	438	3800	1.8	403.20	11.5	2920	12	2700	11.5	2920				12	2700			
		2100	6.2	373	3234	1.9	339.48	11.8	2920	12	2700	11.8	2920				12	2700			
		2100	7.1	329	2857	1.9	297.73	11.9	2920	12	2700	11.9	2920				12	2700			
		2100	7.9	297	2575	1.9	265.87	12.0	2920	12	2700	12.0	2920				12	2700			
		2100	9.2	258	2237	2.2	228.52	12.1	2920	12	2700	12.1	2920				12	2700			
		2100	11	242	2101	1.9	193.73	12.1	2720	12	2700	12.2	2920				12	2700			
		2100	13	206	1783	1.8	163.11	11.6	2610	12	2700	12.3	2920				12	2700			
		2100	15	181	1571	1.9	143.05	11.2	2520	12	2700	12.3	2920				12	2700			
		2100	16	163	1413	1.8	127.74	10.8	2440	12	2700	12.3	2920				12	2700			
		2100	19	141	1223	1.8	109.80	10.4	2340	12	2700	12.4	2920				12	2700			
		2100	22	126	1090	1.8	97.65	10.0	2260	12	2700	12.4	2920				12	2700			

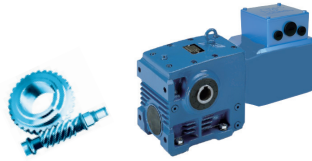
0.35 kW / 0.46 hp


TENV

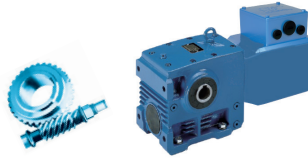


Worm gear units

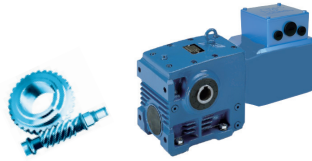
P_1		n_1	n_2	M_2		f_B	i_{tot}	F_R / F_A				F_{RVL} / F_{AVL}				Model type	 [kg] [lb]						
[kW]	[hp]							[Nm]	[lb-in]	F_R	[lb]	F_A	[kN]	[lb]	F_{RVL}				[lb]	F_{AVL}	[kN]	[lb]	
0.35	0.46	2100	3.5	478	4149	0.8	604.62	2.9	2330	7.8	1750	2.9	2150	10	2250	SK 13063 - 71 N1/8	29.9	65.9					
		2100	3.9	426	3697	0.9	531.64	4.1	2280	7.8	1750	4.1	2170	10	2250								
		2100	4.5	382	3313	1.0	471.70	4.7	2220	7.8	1750	4.7	2190	10	2250								
		2100	5.3	421	3649	0.9	395.51	4.2	1970	7.8	1750	4.2	2170	10	2250								
		2100	6.0	374	3242	1.0	349.37	4.9	1930	7.8	1750	4.9	2190	10	2250								
		2100	6.7	335	2903	1.1	310.92	5.3	1900	7.8	1750	5.3	2210	10	2250								
		2100	8.2	277	2400	1.3	254.89	5.8	1830	7.8	1750	5.8	2230	10	2250								
		2100	9.4	245	2129	1.5	224.12	6.1	1780	7.8	1750	6.1	2240	10	2250								
		2100	11	219	1899	1.6	198.86	6.2	1740	7.8	1750	6.2	2250	10	2250								
		2100	12	219	1900	1.6	178.31	6.2	1630	7.8	1750	6.2	2240	10	2250								
		2100	14	180	1566	1.8	146.17	6.4	1570	7.8	1750	6.4	2260	10	2250								
		2100	16	160	1386	1.9	128.53	6.5	1520	7.8	1750	6.5	2260	10	2250								
		2100	18	142	1233	1.8	114.04	6.6	1480	7.8	1750	6.6	2270	10	2250								
		2100	22	122	1059	1.9	97.03	6.3	1430	7.8	1750	6.7	2270	10	2250								
		2100	26	107	927	1.9	79.54	5.7	1280	7.8	1750	6.7	2270	10	2250								
		2100	32	87.9	762	1.9	65.20	5.4	1230	7.8	1750	6.8	2270	10	2250								
		2100		10		228	1981	0.9	209.25	3.5	1360	7.2	1610	3.5	1360				8	1800	SK 13050 - 71 N1/8	25.9	57.1
				12		200	1736	1.0	181.66	3.9	1360	7.2	1610	3.9	1360				8	1800			
				13		197	1708	1.0	158.12	4.0	1350	7.2	1610	4.0	1360				8	1800			
				15		173	1504	1.1	139.04	4.2	1320	7.2	1610	4.2	1360				8	1800			
17				154	1333	1.3	122.68	4.4	1300	7.2	1610	4.4	1360	8	1800								
21				125	1084	1.5	99.23	4.6	1250	7.2	1610	4.6	1360	8	1800								
24				109	948	1.6	86.15	4.7	1210	7.2	1610	4.7	1360	8	1800								
27				102	888	1.4	76.61	4.8	1080	7.2	1610	4.8	1360	8	1800								
31				90.0	781	1.4	67.37	4.7	1060	7.2	1610	4.8	1360	8	1800								
35				79.8	692	1.6	59.44	4.6	1040	7.2	1610	4.9	1360	8	1800								
44				64.8	562	1.7	48.08	4.4	990	7.2	1610	4.9	1360	8	1800								
50				56.6	491	1.9	41.74	4.3	960	7.2	1610	4.9	1360	8	1800								
2100		4.0		432	3747	1.6	520.20	11.6	2920	12	2700	11.6	2920	12	2700	SK 12080 - 71 N1/8	34.9	76.9					
		5.2		346	3002	2.1	402.90	11.9	2920	12	2700	11.9	2920	12	2700								
		9.0		219	1896	3.2	234.60	12.2	2920	12	2700	12.2	2920	12	2700								
		11		181	1566	3.7	187.17	12.3	2830	12	2700	12.3	2920	12	2700								
		13		156	1356	4.3	157.59	11.9	2690	12	2700	12.3	2920	12	2700								
		15		140	1213	4.6	138.21	11.5	2580	12	2700	12.4	2920	12	2700								
		17		127	1103	4.9	123.42	11.1	2500	12	2700	12.4	2920	12	2700								
2100		4.5		377	3272	1.0	464.61	4.8	2220	7.8	1750	4.8	2190	10	2250	SK 12063 - 71 N1/8	24.9	54.9					
		5.1		340	2946	1.1	413.1	5.3	2170	7.8	1750	5.3	2210	10	2250								
		11		216	1875	1.7	195.86	6.3	1730	7.8	1750	6.3	2250	10	2250								
		11		168	1453	1.9	183.60	6.5	1780	7.8	1750	6.5	2270	10	2250								
		13		151	1307	2.1	162.18	6.6	1720	7.8	1750	6.6	2270	10	2250								
		15		136	1184	2.2	144.33	6.6	1670	7.8	1750	6.6	2270	10	2250								
		18		115	996	2.6	118.32	6.7	1580	7.8	1750	6.7	2280	10	2250								
		20		103	893	2.9	104.04	6.7	1520	7.8	1750	6.7	2280	10	2250								
		23		92.6	803	3.2	92.31	6.5	1470	7.8	1750	6.7	2280	10	2250								
		27		91.5	794	3.3	77.40	6.1	1370	7.8	1750	6.7	2280	10	2250								
		31		81.7	709	3.6	68.37	5.9	1320	7.8	1750	6.8	2290	10	2250								
		34		73.4	637	3.8	60.85	5.7	1280	7.8	1750	6.8	2290	10	2250								
		42		61.0	529	4.3	49.88	5.4	1210	7.8	1750	6.8	2290	10	2250								
		48		54.3	471	4.6	43.86	5.2	1170	7.8	1750	6.8	2290	10	2250								




P_1		n_1	n_2	M_2		f_B	i_{tot}	F_R / F_A				F_{RVL} / F_{AVL}				Model type							
[kW]	[hp]	[rpm]		[Nm]	[lb-in]			F_R		F_A		F_{RVL}		F_{AVL}			[kg]	[lb]					
								[kN]	[lb]	[kN]	[lb]	[kN]	[lb]	[kN]	[lb]								
0.35	0.46	2100	12	187	1626	1.0	170.1	4.1	1360	7.2	1610	4.1	1360	8	1800	SK 02050 - 71 N1/8	20.9	46.1					
		2100	14	133	1155	1.3	147.9	4.6	1360	7.2	1610	4.6	1360	8	1800								
		2100	16	119	1030	1.4	130.05	4.7	1360	7.2	1610	4.7	1360	8	1800								
		2100	18	107	925	1.6	114.75	4.7	1360	7.2	1610	4.7	1360	8	1800								
		2100	23	88.5	767	1.9	92.82	4.8	1320	7.2	1610	4.8	1360	8	1800								
		2100	26	78.3	680	2.1	80.58	4.9	1270	7.2	1610	4.9	1360	8	1800								
		2100	32	76.4	662	2.2	65.25	4.9	1170	7.2	1610	4.9	1360	8	1800								
		2100	37	67.6	587	2.5	57.38	4.9	1130	7.2	1610	4.9	1360	8	1800								
		2100	41	60.3	523	2.6	50.63	4.9	1090	7.2	1610	4.9	1360	8	1800								
		2100	51	49.5	429	3.1	40.95	4.6	1030	7.2	1610	5.0	1360	8	1800								
		2100	59	43.5	377	3.6	35.55	4.4	990	7.2	1610	5.0	1360	8	1800								
		2100	68	40.7	353	3.8	30.94	4.2	930	7.2	1610	5.0	1360	8	1800								
		2100	77	35.9	312	4.3	27.21	4.0	900	7.2	1610	5.0	1360	8	1800								
		2100	88	31.9	277	4.9	24.01	3.9	870	7.2	1610	5.0	1360	8	1800								
0.70	0.95	2100	0.83	3995	35790	0.8	2526.44	0	5860	27	6070	0	5860	28	6300	SK 43125 - 71 N2/8	119	262.4					
		2100	1.0	3297	29530	0.9	2056.63	10.6	5960	27	6070	10.6	5960	28	6300								
		2100	1.1	3007	26930	1.0	1860.07	13.6	5960	27	6070	13.6	5960	28	6300								
		2100	1.3	2672	23940	1.2	1639.55	16.2	5960	27	6070	16.2	5960	28	6300								
		2100	1.4	2429	21760	1.3	1476.55	17.7	5960	27	6070	17.7	5960	28	6300								
		2100	1.8	2015	18050	1.5	1198.5	19.6	5960	27	6070	19.6	5960	28	6300								
		2100	2.3	1607	14390	1.9	928.25	21.1	5960	27	6070	21.1	5960	28	6300								
		2100	2.6	1402	12560	2.2	794.58	21.7	5960	27	6070	21.7	5960	28	6300								
		2100	3.0	1524	13650	1.9	689.67	21.3	5960	27	6070	21.3	5960	28	6300								
		2100	3.5	1351	12100	2.0	607.91	21.8	5960	27	6070	21.8	5960	28	6300								
		2100	3.8	1224	10970	2.5	547.47	22.1	5960	27	6070	22.1	5960	28	6300								
		2100	4.7	1009	9042	3.0	444.38	22.5	5960	27	6070	22.5	5960	28	6300								
		2100	5.5	874	7826	3.0	380.39	22.8	5960	27	6070	22.8	5960	28	6300								
		2100	6.5	754	6756	3.2	323.51	22.9	5960	27	6070	22.9	5960	28	6300								
		2100	7.8	639	5727	4.4	269.76	23.1	5870	27	6070	23.1	5960	28	6300								
		2100	8.9	567	5079	5.0	236.58	23.2	5650	27	6070	23.2	5960	28	6300								
		2100	1.8	1865	16700	0.9	1175.19	7.4	3640	16	3600	7.4	3640	16	3600				SK 33100 - 71 N2/8	70	154.3		
				2100	3.2	1119	10020	1.4	660.6	14.3	3640	16	3600	14.3	3640							16	3600
				2100	4.0	911	8158	1.7	519.31	15.3	3640	16	3600	15.3	3640							16	3600
				2100	4.5	834	7474	1.9	468.37	15.6	3640	16	3600	15.6	3640							16	3600
2100	5.8			676	6058	2.2	365.07	16.1	3640	16	3600	16.1	3640	16	3600								
2100	7.0			572	5124	2.6	299.28	16.2	3640	16	3600	16.2	3640	16	3600								
2100	8.2			593	5316	2.5	257.63	16.2	3640	16	3600	16.2	3640	16	3600								
2100	11			433	3880	3.3	182.66	16.2	3640	16	3600	16.2	3640	16	3600								
2100	15			345	3089	3.8	142.38	15.9	3570	16	3600	16.2	3640	16	3600								
2100	17			315	2818	3.8	121.21	15.0	3360	16	3600	16.2	3640	16	3600								
2100	19			285	2557	4.2	109.32	14.5	3270	16	3600	16.2	3640	16	3600								
2100	25			226	2022	4.8	85.21	13.6	3050	16	3600	16.2	3640	16	3600								
2100	39			150	1339	4.6	53.7	11.5	2590	16	3600	16.2	3640	16	3600								



P ₁		n ₁	n ₂	M ₂		f _B	i _{tot}	F _R /F _A				F _{RVL} /F _{AVL}				Model type	 [kg] [lb]						
								F _R		F _A		F _{RVL}		F _{AVL}									
[kW]	[hp]	[rpm]		[Nm]	[lb-in]			[kN]	[lb]	[kN]	[lb]	[kN]	[lb]	[kN]	[lb]								
0.70	0.95	2100	3.3	1097	9826	1.3	645.00	14.4	3640	16	3600	14.4	3640	16	3600	SK 32100 - 71 N2/8	62.0	136.7					
		2100	4.1	897	8032	1.6	510.00	15.3	3640	16	3600	15.3	3640	16	3600								
		2100	8.7	480	4296	3.0	241.50	16.2	3640	16	3600	16.2	3640	16	3600								
		2100	11	381	3411	3.6	183.50	16.2	3640	16	3600	16.2	3640	16	3600								
		2100	13	349	3127	3.8	165.50	16.2	3640	16	3600	16.2	3640	16	3600								
		2100	16	282	2528	4.4	129.00	15.7	3530	16	3600	16.2	3640	16	3600								
2100		4.0		864	7739	0.8	520.20	8.2	2920	12	2700	8.2	2920	12	2700	SK 12080 - 71 N2/8	36.0	79.4					
		5.2		692	6199	1.0	402.90	10.0	2920	12	2700	10.0	2920	12	2700								
		9.0		437	3916	1.6	234.60	11.5	2770	12	2700	11.5	2920	12	2700								
		11		361	3235	1.9	187.17	11.7	2620	12	2700	11.8	2920	12	2700								
		13		313	2801	2.1	157.59	11.2	2510	12	2700	12.0	2920	12	2700								
		15		280	2504	2.3	138.21	10.8	2420	12	2700	12.1	2920	12	2700								
		17		254	2278	2.4	123.42	10.5	2350	12	2700	12.2	2920	12	2700								
		20		223	2000	2.6	106.08	10.1	2260	12	2700	12.2	2920	12	2700								
		22		201	1801	2.8	94.35	9.7	2180	12	2700	12.3	2920	12	2700								
		27		194	1738	3.4	78.91	9.1	2030	12	2700	12.3	2920	12	2700								
		32		166	1486	3.8	66.44	8.6	1940	12	2700	12.3	2920	12	2700								
		36		147	1316	4.1	58.27	8.3	1870	12	2700	12.4	2920	12	2700								
		40		133	1187	4.3	52.03	8.1	1820	12	2700	12.4	2920	12	2700								
		47		115	1032	4.8	44.72	7.7	1740	12	2700	12.4	2920	12	2700								
		2100		11		432	3871	0.8	195.86	4.0	1390	7.8	1750	4.0	2160				10	2250	SK 12063 - 71 N2/8	26.0	57.3
				11		335	3001	1.0	183.60	5.3	1540	7.8	1750	5.3	2210				10	2250			
13				301	2700	1.0	162.18	5.6	1510	7.8	1750	5.6	2220	10	2250								
15				273	2444	1.1	144.33	5.9	1470	7.8	1750	5.9	2230	10	2250								
18				230	2057	1.3	118.32	6.2	1410	7.8	1750	6.2	2250	10	2250								
20				206	1844	1.4	104.04	6.1	1380	7.8	1750	6.3	2250	10	2250								
23				185	1659	1.6	92.31	6.0	1340	7.8	1750	6.4	2260	10	2250								
27				183	1639	1.7	77.40	5.5	1230	7.8	1750	6.4	2260	10	2250								
31				163	1464	1.8	68.37	5.3	1200	7.8	1750	6.5	2260	10	2250								
34				147	1316	1.9	60.85	5.2	1170	7.8	1750	6.6	2270	10	2250								
42				122	1093	2.1	49.88	5.0	1120	7.8	1750	6.7	2280	10	2250								
48				109	972	2.3	43.86	4.8	1080	7.8	1750	6.7	2280	10	2250								
54				96.9	868	2.5	38.92	4.7	1050	7.8	1750	6.7	2280	10	2250								
60				92.6	829	2.8	34.89	4.5	1000	7.8	1750	6.7	2280	10	2250								
73				76.5	685	3.2	28.61	4.3	950	7.7	1720	6.8	2280	10	2250								
83				67.8	607	3.6	25.15	4.1	920	7.4	1670	6.8	2290	10	2250								
94				60.4	541	4.1	22.32	4.0	890	7.2	1620	6.8	2290	10	2250								
110				51.8	464	4.1	18.99	3.8	860	6.9	1550	6.8	2290	10	2250								
135				44.0	394	4.3	15.57	3.5	780	6.1	1360	6.8	2290	10	2250								
165				36.2	324	5.0	12.76	3.3	740	5.8	1300	6.8	2180	10	2250								
2100		18		213	1910	0.8	114.75	3.7	1220	7.2	1610	3.7	1360	8	1800	SK 02050 - 71 N2/8	22.0	48.5					
		23		177	1585	0.9	92.82	4.2	1170	7.2	1610	4.2	1360	8	1800								
		26		157	1404	1.1	80.58	4.4	1140	7.2	1610	4.4	1360	8	1800								
		32		153	1368	1.1	65.25	4.4	1030	7.2	1610	4.4	1360	8	1800								
		37		135	1212	1.2	57.38	4.5	1010	7.2	1610	4.6	1360	8	1800								




P_1		n_1	n_2	M_2		f_B	i_{tot}	F_R / F_A				F_{RVL} / F_{AVL}				Model type							
[kW]	[hp]	[rpm]	[rpm]	[Nm]	[lb-in]			F_R		F_A		F_{RVL}		F_{AVL}			[kg]	[lb]					
								[kN]	[lb]	[kN]	[lb]	[kN]	[lb]	[kN]	[lb]								
0.70	0.95	2100	41	121	1080	1.3	50.63	4.4	980	7.2	1610	4.7	1360	8	1800	SK 02050 - 71 N2/8	22.0	48.5					
		2100	51	98.9	886	1.6	40.95	4.2	940	7.2	1610	4.8	1360	8	1800								
		2100	59	86.9	779	1.8	35.55	4.1	910	7.2	1610	4.8	1360	8	1800								
		2100	68	81.4	729	1.9	30.94	3.8	850	7.0	1560	4.9	1360	8	1800								
		2100	77	71.9	644	2.2	27.21	3.7	830	6.8	1530	4.9	1360	8	1800								
		2100	88	63.9	572	2.4	24.01	3.6	800	6.6	1490	4.9	1360	8	1800								
		2100	108	52.0	466	2.8	19.42	3.4	760	6.4	1420	5.0	1360	8	1800								
		2100	124	45.6	408	2.6	16.86	3.3	740	6.2	1380	5.0	1360	8	1800								
		2100	142	40.0	359	2.8	14.72	3.2	710	6.0	1340	5.0	1360	8	1800								
		2100	160	36.8	329	3.3	13.18	2.9	660	5.2	1160	5.0	1360	8	1800								
		2100	181	32.6	292	3.5	11.63	2.9	640	5.1	1140	5.0	1360	8	1800								
		2100	224	26.5	238	4.1	9.41	2.7	610	4.8	1080	5.0	1360	8	1800								
		2100	257	23.2	208	4.7	8.17	2.6	590	4.6	1020	5.0	1360	8	1800								
1.05	1.40	2100	1.3	4008	35270	0.8	1639.55	0	5940	27	6070	0	5940	28	6300	SK 43125 - 71 N3/8	120	264.6					
		2100	1.4	3644	32060	0.8	1476.55	3.9	5960	27	6070	3.9	5960	28	6300								
		2100	1.8	3022	26590	1.0	1198.50	13.5	5960	27	6070	13.5	5960	28	6300								
		2100	2.3	2410	21210	1.3	928.25	17.8	5960	27	6070	17.8	5960	28	6300								
		2100	2.6	2103	18510	1.5	794.58	19.3	5960	27	6070	19.3	5960	28	6300								
		2100	3.0	2286	20110	1.2	689.67	18.4	5960	27	6070	18.4	5960	28	6300								
		2100	3.5	2026	17830	1.3	607.91	19.6	5960	27	6070	19.6	5960	28	6300								
		2100	3.8	1837	16160	1.7	547.47	20.3	5960	27	6070	20.3	5960	28	6300								
		2100	4.7	1514	13330	2.0	444.38	21.4	5960	27	6070	21.4	5960	28	6300								
		2100	5.5	1311	11530	2.0	380.39	21.9	5960	27	6070	21.9	5960	28	6300								
		2100	6.5	1131	9956	2.1	323.51	22.3	5880	27	6070	22.3	5960	28	6300								
		2100	7.8	959	8440	2.9	269.76	22.6	5620	27	6070	22.6	5960	28	6300								
		2100	8.9	851	7485	3.3	236.58	22.8	5440	27	6070	22.8	5960	28	6300								
		2100	11	689	6061	3.8	187.80	22.7	5110	27	6070	23.0	5960	28	6300								
		2100	14	571	5023	4.5	152.44	21.5	4830	27	6070	23.2	5960	28	6300								
		2100	16	495	4359	5.0	130.49	20.5	4620	27	6070	23.2	5960	28	6300								
		2100	24	351	3087	5.0	86.22	18.0	4040	27	6070	23.3	5960	28	6300								
		1.05	1.40	2100	3.2	1679	14770	0.9	660.60	9.9	3640	16	3600	9.9	3640				16	3600	SK 33100 - 71 N3/8	71.0	156.5
				2100	4.0	1366	12020	1.2	519.31	12.8	3640	16	3600	12.8	3640				16	3600			
				2100	4.5	1252	11020	1.3	468.37	13.6	3640	16	3600	13.6	3640				16	3600			
				2100	5.8	1014	8927	1.5	365.07	14.8	3640	16	3600	14.8	3640				16	3600			
				2100	7.0	858	7551	1.8	299.28	15.5	3640	16	3600	15.5	3640				16	3600			
				2100	8.2	890	7834	1.7	257.63	15.4	3640	16	3600	15.4	3640				16	3600			
2100	11			650	5718	2.2	182.66	16.1	3620	16	3600	16.2	3640	16	3600								
2100	15			517	4553	2.5	142.38	15.2	3410	16	3600	16.2	3640	16	3600								
2100	17			472	4152	2.5	121.21	14.2	3200	16	3600	16.2	3640	16	3600								
2100	19			428	3768	2.8	109.32	13.9	3120	16	3600	16.2	3640	16	3600								
2100	25			339	2980	3.2	85.21	13.0	2930	16	3600	16.2	3640	16	3600								
2100	30			280	2467	3.9	69.85	12.4	2780	16	3600	16.2	3640	16	3600								
2100	39			224	1974	3.1	53.70	11.0	2480	16	3600	16.2	3640	16	3600								

1.05 kW / 1.40 hp

TENV



P ₁		n ₁	n ₂	M ₂		f _B	i _{tot}	F _R /F _A				F _{RVL} /F _{AVL}				Model type	 [kg] [lb]				
								F _R		F _A		F _{RVL}		F _{AVL}							
[kW]	[hp]	[rpm]	[rpm]	[Nm]	[lb-in]			[kN]	[lb]	[kN]	[lb]	[kN]	[lb]	[kN]	[lb]						
1.05	1.40	2100	3.3	1646	14480	0.9	645.00	10.3	3640	16	3600	10.3	3640	16	3600	SK 32100 - 71 N3/8	63.0	138.9			
		2100	4.1	1345	11840	1.1	510.00	12.9	3640	16	3600	12.9	3640	16	3600						
		2100	8.7	719	6331	2.0	241.50	16.0	3640	16	3600	16.0	3640	16	3600						
		2100	11	571	5026	2.4	183.50	16.2	3640	16	3600	16.2	3640	16	3600						
		2100	13	524	4608	2.5	165.50	16.2	3640	16	3600	16.2	3640	16	3600						
		2100	16	423	3726	2.9	129.00	15.2	3410	16	3600	16.2	3640	16	3600						
		2100	22	355	3125	3.7	94.19	13.6	3070	16	3600	16.2	3640	16	3600						
		2100	29	276	2426	4.4	71.57	12.6	2840	16	3600	16.2	3640	16	3600						
		2100	33	251	2207	4.7	64.55	12.3	2760	16	3600	16.2	3640	16	3600						
		2100	9.0	656	5770	1.1	234.60	10.2	2540	12	2700	10.2	2920	12	2700				SK 12080 - 71 N3/8	37.0	81.6
		2100	11	542	4768	1.2	187.17	10.8	2430	12	2700	11.0	2920	12	2700						
		2100	13	469	4128	1.4	157.59	10.4	2340	12	2700	11.4	2920	12	2700						
		2100	15	419	3690	1.5	138.21	10.1	2270	12	2700	11.6	2920	12	2700						
		2100	17	381	3356	1.6	123.42	9.8	2220	12	2700	11.8	2920	12	2700						
		2100	20	335	2948	1.8	106.08	9.5	2140	12	2700	11.9	2920	12	2700						
		2100	22	302	2655	1.9	94.35	9.2	2080	12	2700	12.0	2920	12	2700						
		2100	27	291	2561	2.3	78.91	8.5	1920	12	2700	12.1	2920	12	2700						
		2100	32	249	2190	2.5	66.44	8.2	1850	12	2700	12.2	2920	12	2700						
		2100	36	220	1939	2.7	58.27	7.9	1790	12	2700	12.2	2920	12	2700						
		2100	40	199	1750	2.9	52.03	7.7	1740	12	2700	12.3	2920	12	2700						
2100	47	173	1521	3.2	44.72	7.4	1670	12	2700	12.3	2920	12	2700								
2100	55	154	1356	3.6	37.91	7.0	1570	12	2700	12.3	2920	12	2700								
2100	66	131	1153	4.0	31.92	6.7	1500	11.8	2640	12.4	2920	12	2700								
2100	75	116	1016	4.4	27.99	6.4	1450	11.4	2560	12.4	2920	12	2700								
2100	84	104	914	4.7	25.00	6.3	1410	11.1	2490	12.4	2920	12	2700								
2100	18	345	3032	0.9	118.32	5.2	1260	7.8	1750	5.2	2210	10	2250	SK 12063 - 71 N3/8	27.0	59.5					
2100	20	309	2717	1.0	104.04	5.5	1240	7.8	1750	5.6	2220	10	2250								
2100	23	278	2445	1.1	92.31	5.4	1220	7.8	1750	5.8	2230	10	2250								
2100	27	275	2416	1.1	77.40	4.9	1100	7.8	1750	5.9	2230	10	2250								
2100	31	245	2157	1.2	68.37	4.8	1080	7.8	1750	6.1	2240	10	2250								
2100	34	220	1939	1.3	60.85	4.7	1060	7.8	1750	6.2	2250	10	2250								
2100	42	183	1611	1.4	49.88	4.6	1030	7.8	1750	6.4	2260	10	2250								
2100	48	163	1433	1.5	43.86	4.5	1010	7.8	1750	6.5	2270	10	2250								
2100	54	145	1280	1.7	38.92	4.4	980	7.8	1750	6.6	2270	10	2250								
2100	60	139	1222	1.9	34.89	4.1	930	7.3	1650	6.6	2270	10	2250								
2100	73	115	1010	2.1	28.61	4.0	890	7.1	1600	6.7	2280	10	2250								
2100	83	102	895	2.4	25.15	3.9	870	6.9	1560	6.7	2280	10	2250								
2100	94	90.6	797	2.7	22.32	3.8	850	6.8	1520	6.7	2280	10	2250								
2100	110	77.8	684	2.8	18.99	3.6	820	6.5	1470	6.8	2280	10	2250								
2100	135	66.0	580	2.9	15.57	3.3	740	5.5	1240	6.8	2260	10	2250								
2100	165	54.3	478	3.3	12.76	3.1	710	5.3	1200	6.8	2140	10	2250								
2100	187	48.0	422	3.6	11.22	3.1	690	5.2	1170	6.8	2070	10	2250								
2100	211	42.6	375	4.0	9.96	3.0	670	5.0	1120	6.8	2000	10	2250								
2100	248	36.5	321	4.5	8.47	2.9	640	4.7	1050	6.8	1920	10	2250								
2100	284	32.0	281	4.9	7.43	2.8	620	4.5	1000	6.8	1850	10	2250								

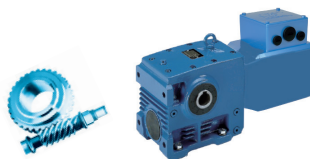
Worm gear units




P ₁		n ₁	n ₂	M ₂		f _B	i _{tot}	F _R /F _A				F _{RVL} /F _{AVL}				Model type	📦						
[kW]	[hp]			[Nm]	[lb-in]			F _R	F _A	F _{RVL}	F _{AVL}	[kN]	[lb]	[kN]	[lb]		[kN]	[lb]	[kg]	[lb]			
1.05	1.40	2100	37	203	1786	0.8	57.38	3.9	890	7.2	1610	3.9	1360	8	1800	SK 02050 - 71 N3/8	23.0	50.7					
		2100	41	181	1592	0.9	50.63	3.9	880	7.2	1610	4.1	1360	8	1800								
		2100	51	148	1306	1.0	40.95	3.8	860	7.2	1610	4.5	1360	8	1800								
		2100	59	130	1148	1.2	35.55	3.7	840	7.2	1610	4.6	1360	8	1800								
		2100	68	122	1075	1.3	30.94	3.4	770	6.1	1380	4.6	1360	8	1800								
		2100	77	108	949	1.4	27.21	3.4	760	6.0	1360	4.7	1360	8	1800								
		2100	88	95.8	843	1.6	24.01	3.3	740	6.0	1340	4.8	1360	8	1800								
		2100	108	78.1	687	1.9	19.42	3.2	710	5.8	1310	4.9	1360	8	1800								
		2100	124	68.3	601	1.8	16.86	3.1	690	5.7	1280	4.9	1360	8	1800								
		2100	142	60.1	529	1.9	14.72	3.0	670	5.5	1250	4.9	1360	8	1800								
		2100	160	55.2	486	2.2	13.18	2.7	610	4.5	1020	5.0	1360	8	1800								
		2100	181	48.9	431	2.3	11.63	2.7	600	4.5	1010	5.0	1360	8	1800								
		2100	224	39.8	350	2.8	9.41	2.5	570	4.2	960	5.0	1360	8	1800								
		2100	257	34.8	306	3.2	8.17	2.5	560	4.1	920	5.0	1360	8	1800								
		2100	294	30.5	268	3.4	7.13	2.4	540	3.9	880	5.0	1360	8	1800								
		2100	381	23.6	208	4.0	5.51	2.3	510	3.6	810	5.0	1360	8	1800								
		2100	514	17.5	154	4.9	4.09	2.1	470	3.4	760	5.0	1360	8	1800								
1.10	1.50	2100	4.0	1431	12880	1.1	519.31	12.3	3640	16	3600	12.3	3640	16	3600	SK 33100 - 90 N1/8	74.0	163.1					
		2100	4.5	1311	11800	1.2	468.37	13.2	3640	16	3600	13.2	3640	16	3600								
		2100	5.8	1063	9565	1.4	365.07	14.6	3640	16	3600	14.6	3640	16	3600								
		2100	7.0	899	8090	1.7	299.28	15.3	3640	16	3600	15.3	3640	16	3600								
		2100	11	681	6127	2.1	182.66	16.0	3580	16	3600	16.1	3640	16	3600								
		2100	15	542	4878	2.4	142.38	15.1	3370	16	3600	16.2	3640	16	3600								
		2100	17	494	4449	2.4	121.21	14.1	3160	16	3600	16.2	3640	16	3600								
		2100	19	449	4037	2.7	109.32	13.8	3090	16	3600	16.2	3640	16	3600								
		2100	25	355	3192	3.0	85.21	13.0	2900	16	3600	16.2	3640	16	3600								
		2100	30	294	2643	3.7	69.85	12.3	2760	16	3600	16.2	3640	16	3600								
		2100	39	235	2115	2.9	53.70	10.9	2450	16	3600	16.2	3640	16	3600								
		1.10	1.50	2100	11	568	5108	1.2	187.17	10.7	2380	12	2700	10.8	2920				12	2700	SK 12080 - 90 N1/8	40.0	88.2
				2100	13	491	4423	1.4	157.59	10.3	2300	12	2700	11.3	2920				12	2700			
				2100	15	439	3954	1.5	138.21	10.0	2240	12	2700	11.5	2920				12	2700			
				2100	17	400	3596	1.6	123.42	9.8	2190	12	2700	11.7	2920				12	2700			
				2100	20	351	3159	1.7	106.08	9.4	2110	12	2700	11.9	2920				12	2700			
				2100	22	316	2844	1.8	94.35	9.2	2050	12	2700	12	2920				12	2700			
2100	27			305	2744	2.1	78.91	8.5	1900	12	2700	12	2920	12	2700								
2100	32			261	2346	2.4	66.44	8.1	1820	12	2700	12.1	2920	12	2700								
2100	36			231	2077	2.6	58.27	7.9	1770	12	2700	12.2	2920	12	2700								
2100	40			208	1874	2.8	52.03	7.7	1720	12	2700	12.3	2920	12	2700								
2100	47			181	1629	3.0	44.72	7.4	1660	12	2700	12.3	2920	12	2700								
2100	55			161	1453	3.4	37.91	6.9	1550	12	2700	12.3	2920	12	2700								
2100	66			137	1235	3.8	31.92	6.6	1490	11.7	2620	12.4	2920	12	2700								
2100	75			121	1089	4.2	27.99	6.4	1440	11.3	2540	12.4	2920	12	2700								
2100	84			109	979	4.5	25.00	6.2	1400	11.0	2470	12.4	2920	12	2700								
2100	98			94.1	847	5.0	21.49	6	1340	10.6	2370	12.4	2920	12	2700								

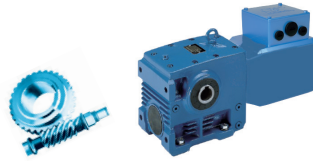
1.10 kW / 1.50 hp
1.50 kW / 2.00 hp

TENV



P ₁		n ₁	n ₂	M ₂		f _B	i _{tot}	F _R /F _A				F _{RVL} /F _{AVL}				Model type	 [kg] [lb]					
								F _R		F _A		F _{RVL}		F _{AVL}								
[kW]	[hp]	[rpm]	[Nm]	[lb-in]				[kN]	[lb]	[kN]	[lb]	[kN]	[lb]	[kN]	[lb]							
1.10	1.50	2100	18	361	3248	0.8	118.32	5.0	1230	7.8	1750	5.0	2200	10	2250	SK 12063 - 90 N1/8	30.0	66.1				
		2100	20	324	2912	0.9	104.04	5.4	1210	7.8	1750	5.4	2210	10	2250							
		2100	23	291	2620	1.0	92.31	5.3	1190	7.8	1750	5.7	2230	10	2250							
		2100	34	231	2077	1.2	60.85	4.7	1040	7.8	1750	6.2	2240	10	2250							
		2100	42	192	1726	1.4	49.88	4.5	1010	7.8	1750	6.4	2260	10	2250							
		2100	48	171	1535	1.5	43.86	4.4	990	7.8	1750	6.5	2260	10	2250							
		2100	54	152	1371	1.6	38.92	4.3	970	7.8	1750	6.6	2270	10	2250							
		2100	60	145	1309	1.8	34.89	4.1	910	7.2	1620	6.6	2270	10	2250							
		2100	73	120	1082	2.0	28.61	3.9	880	7.0	1570	6.7	2270	10	2250							
		2100	83	107	959	2.3	25.15	3.8	860	6.9	1540	6.7	2280	10	2250							
		2100	94	94.9	854	2.6	22.32	3.7	840	6.7	1500	6.7	2280	10	2250							
		2100	110	81.5	733	2.6	18.99	3.6	810	6.5	1450	6.8	2280	10	2250							
		2100	135	69.1	622	2.7	15.57	3.3	730	5.4	1210	6.8	2250	10	2250							
		2100	165	56.9	512	3.2	12.76	3.1	700	5.3	1180	6.8	2130	10	2250							
		2100	187	50.3	453	3.5	11.22	3.0	680	5.1	1150	6.8	2060	10	2250							
		2100	211	44.7	402	3.8	9.96	2.9	660	4.9	1100	6.8	2000	10	2250							
		2100	248	38.2	344	4.3	8.47	2.8	640	4.6	1040	6.8	1910	10	2250							
		2100	284	33.5	301	4.7	7.43	2.7	610	4.4	990	6.8	1840	10	2250							
		2100		41	190	1706	0.8	50.63	3.8	860	7.2	1610	4.0	1360	8				1800	SK 02050 - 90 N1/8	26.0	57.3
				51	155	1399	1.0	40.95	3.8	840	7.2	1610	4.4	1360	8				1800			
59	137			1229	1.1	35.55	3.7	820	7.1	1590	4.5	1360	8	1800								
88	100			903	1.5	24.01	3.3	730	5.9	1310	4.8	1360	8	1800								
108	81.8			736	1.8	19.42	3.1	700	5.7	1280	4.9	1360	8	1800								
124	71.6			644	1.7	16.86	3.1	680	5.6	1260	4.9	1360	8	1800								
142	62.9			566	1.8	14.72	3	670	5.5	1230	4.9	1360	8	1800								
181	51.3			461	2.2	11.63	2.6	590	4.4	980	5.0	1360	8	1800								
224	41.7			375	2.6	9.41	2.5	560	4.2	930	5.0	1360	8	1800								
257	36.4			328	3.0	8.17	2.5	550	4.0	890	5.0	1360	8	1800								
294	32			288	3.3	7.13	2.4	530	3.9	860	5.0	1360	8	1800								
1.50	2.00			2100	4.0	1952	17180	0.8	519.31	5.6	3640	16	3600	5.6	3640	16	3600	SK 33100 - 90 N2/8	74.8			
		2100	4.5	1788	15740	0.9	468.37	8.6	3640	16	3600	8.6	3640	16	3600							
		2100	5.8	1449	12750	1.0	365.07	12.1	3640	16	3600	12.1	3640	16	3600							
		2100	7	1226	10790	1.2	299.28	13.7	3640	16	3600	13.7	3640	16	3600							
		2100	11	928	8169	1.5	182.66	14.9	3350	16	3600	15.2	3640	16	3600							
		2100	15	739	6504	1.8	142.38	14.2	3200	16	3600	15.9	3640	16	3600							
		2100	17	674	5932	1.8	121.21	13.2	2980	16	3600	16.1	3640	16	3600							
		2100	19	612	5383	1.9	109.32	13.0	2920	16	3600	16.2	3640	16	3600							
		2100	25	484	4256	2.2	85.21	12.3	2780	16	3600	16.2	3640	16	3600							
		2100	30	401	3525	2.7	69.85	11.8	2650	16	3600	16.2	3640	16	3600							
2100	39	320	2820	2.2	53.7	10.4	2330	16	3600	16.2	3640	16	3600									

Worm gear units




P ₁		n ₁	n ₂	M ₂		f _B	i _{tot}	F _R / F _A				F _{RVL} / F _{AVL}				Model type	📦	
[kW]	[hp]			[Nm]	[lb-in]			F _R	F _A	F _{RVL}	F _{AVL}	[kN]	[lb]	[kN]	[lb]		[kN]	[lb]
1.50	2.00	2100	11	774	6811	0.9	187.17	9.2	2170	12	2700	9.2	2920	12	2700	SK 12080 - 90 N2/8	40.8	89.9
		2100	13	670	5897	1.0	157.59	9.4	2120	12	2700	10.1	2920	12	2700			
		2100	15	599	5272	1.1	138.21	9.2	2070	12	2700	10.6	2920	12	2700			
		2100	17	545	4795	1.1	123.42	9.0	2040	12	2700	11.0	2920	12	2700			
		2100	20	479	4211	1.2	106.08	8.8	1980	12	2700	11.3	2920	12	2700			
		2100	22	431	3792	1.3	94.35	8.6	1930	12	2700	11.6	2920	12	2700			
		2100	27	416	3658	1.6	78.91	7.9	1770	12	2700	11.6	2920	12	2700			
		2100	32	355	3128	1.8	66.44	7.6	1720	12	2700	11.9	2920	12	2700			
		2100	36	315	2770	1.9	58.27	7.4	1680	12	2700	12.0	2920	12	2700			
		2100	40	284	2499	2.0	52.03	7.3	1640	12	2700	12.1	2920	12	2700			
		2100	47	247	2172	2.2	44.72	7.0	1590	12	2700	12.2	2920	12	2700			
		2100	55	220	1937	2.5	37.91	6.6	1480	11.4	2570	12.2	2920	12	2700			
		2100	66	187	1647	2.8	31.92	6.3	1420	11.1	2490	12.3	2920	12	2700			
		2100	75	165	1452	3.1	27.99	6.1	1380	10.8	2420	12.3	2920	12	2700			
		2100	84	148	1306	3.3	25.0	6.0	1350	10.5	2360	12.4	2920	12	2700			
		2100	98	128	1130	3.7	21.49	5.8	1300	10.2	2280	12.4	2920	12	2700			
		2100	110	114	1006	4.0	19.11	5.6	1260	9.9	2220	12.4	2920	12	2700			
		2100	131	98.1	863	4.0	15.98	5.1	1150	8.5	1920	12.4	2850	12	2700			
		2100	150	86.3	759	4.2	14.01	5.0	1110	8.3	1860	12.3	2760	12	2700			
		2100	168	77.5	682	4.5	12.51	4.8	1080	7.9	1780	11.9	2680	12	2700			
2100	34	315	2769	0.9	60.85	4.1	930	7.7	1730	5.5	2210	10	2250	SK 12063 - 90 N2/8	30.8	67.9		
2100	42	262	2302	1.0	49.88	4.1	910	7.6	1710	6.0	2230	10	2250					
2100	48	233	2047	1.1	43.86	4.0	900	7.5	1690	6.2	2240	10	2250					
2100	54	208	1828	1.2	38.92	4.0	890	7.4	1660	6.3	2250	10	2250					
2100	60	198	1746	1.3	34.89	3.7	830	6.5	1450	6.4	2250	10	2250					
2100	73	164	1443	1.5	28.61	3.6	810	6.4	1440	6.5	2260	10	2250					
2100	83	145	1279	1.7	25.15	3.6	800	6.3	1420	6.6	2270	10	2250					
2100	94	129	1139	1.9	22.32	3.5	790	6.2	1400	6.6	2270	10	2250					
2100	110	111	978	1.9	18.99	3.4	760	6.1	1360	6.7	2280	10	2250					
2100	135	94.2	829	2.0	15.57	3.0	680	4.8	1070	6.7	2200	10	2250					
2100	165	77.6	683	2.3	12.76	2.9	660	4.7	1060	6.8	2100	10	2250					
2100	187	68.6	603	2.6	11.22	2.9	640	4.6	1030	6.8	2030	10	2250					
2100	211	60.9	536	2.8	9.96	2.8	630	4.4	990	6.8	1970	10	2250					
2100	248	52.2	459	3.2	8.47	2.7	610	4.2	950	6.8	1890	10	2250					
2100	284	45.7	402	3.4	7.43	2.6	590	4.1	910	6.8	1820	10	2250					
2100	59	186	1639	0.8	35.55	3.3	740	6.4	1440	4.1	1360	8	1800	SK 02050 - 90 N2/8	26.8	59.1		
2100	88	137	1204	1.1	24.01	2.9	660	5.1	1150	4.5	1360	8	1800					
2100	108	112	981	1.3	19.42	2.9	650	5.1	1150	4.7	1360	8	1800					
2100	124	97.6	859	1.2	16.86	2.8	630	5.1	1140	4.8	1360	8	1800					
2100	142	85.8	755	1.3	14.72	2.8	620	5.0	1130	4.8	1360	8	1800					
2100	181	69.9	615	1.6	11.63	2.4	540	3.6	810	4.9	1360	8	1800					
2100	224	56.8	500	1.9	9.41	2.3	520	3.5	790	4.9	1360	8	1800					
2100	257	49.7	437	2.2	8.17	2.3	510	3.5	780	5.0	1360	8	1800					
2100	294	43.6	383	2.4	7.13	2.2	500	3.4	760	5.0	1360	8	1800					

Worm gear units

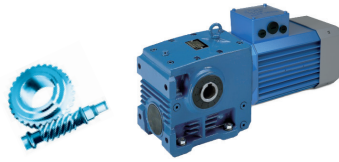
2.20 kW / 3.00 hp


TENV



P ₁		n ₁	n ₂	M ₂		f _B	i _{tot}	F _R /F _A				F _{RVL} /F _{AVL}				Model type	 [kg] [lb]	
								F _R		F _A		F _{RVL}		F _{AVL}				
[kW]	[hp]	[rpm]	[Nm]	[lb-in]				[kN]	[lb]	[kN]	[lb]	[kN]	[lb]	[kN]	[lb]			
2.20	3.00	2100	17	799	7192	0.8	123.42	7.8	1740	12	2700	9.0	2920	12	2700	SK 12080 - 90 N3/8	43.2	95.2
		2100	20	702	6317	0.8	106.08	7.7	1720	12	2700	9.9	2920	12	2700			
		2100	22	632	5689	0.9	94.35	7.6	1700	12	2700	10.4	2920	12	2700			
		2100	27	610	5487	1.1	78.91	6.8	1520	12	2700	10.6	2920	12	2700			
		2100	32	521	4692	1.2	66.44	6.8	1510	12	2700	11.1	2920	12	2700			
		2100	36	462	4155	1.3	58.27	6.7	1490	12	2700	11.4	2920	12	2700			
		2100	40	417	3749	1.4	52.03	6.6	1470	12	2690	11.6	2920	12	2700			
		2100	47	362	3259	1.5	44.72	6.4	1440	11.7	2630	11.8	2920	12	2700			
		2100	55	323	2906	1.7	37.91	5.9	1320	10.1	2260	12.0	2920	12	2700			
		2100	66	274	2470	1.9	31.92	5.8	1290	10.0	2230	12.1	2920	12	2700			
		2100	75	242	2178	2.1	27.99	5.7	1270	9.8	2190	12.2	2920	12	2700			
		2100	84	218	1959	2.3	25.00	5.6	1240	9.6	2160	12.2	2920	12	2700			
		2100	98	188	1695	2.5	21.49	5.4	1210	9.4	2110	12.3	2920	12	2700			
		2100	110	168	1509	2.7	19.11	5.3	1180	9.2	2060	12.3	2920	12	2700			
		2100	131	144	1295	2.7	15.98	4.7	1060	7.5	1660	12.3	2770	12	2700			
		2100	150	127	1139	2.9	14.01	4.6	1030	7.2	1610	11.9	2680	12	2700			
		2100	168	114	1022	3.0	12.51	4.5	1010	7.0	1560	11.6	2610	12	2700			
		2100	195	98.1	883	3.5	10.75	4.4	980	6.7	1500	11.2	2510	12	2700			
		2100	220	87.2	784	3.9	9.56	4.3	960	6.5	1450	10.9	2440	12	2700			
		2100	278	69.3	624	4.3	7.55	4.0	910	6.1	1360	10.2	2290	12	2700			
2100		54		305	2742	0.8	38.92	3.3	740	6.3	1400	5.6	2220	10	2250	SK 12063 - 90 N3/8	33.2	73.2
		60		291	2619	0.9	34.89	3.0	670	5.1	1120	5.7	2210	10	2250			
		73		241	2165	1.0	28.61	3.1	680	5.2	1160	6.1	2230	10	2250			
		83		213	1918	1.1	25.15	3.1	680	5.3	1180	6.3	2240	10	2250			
		94		190	1708	1.3	22.32	3.1	680	5.3	1180	6.4	2250	10	2250			
		110		163	1467	1.3	18.99	3.0	670	5.3	1180	6.5	2260	10	2250			
		135		138	1244	1.4	15.57	2.6	570	3.5	770	6.6	2090	10	2250			
		165		114	1024	1.6	12.76	2.6	570	3.6	790	6.7	2020	10	2250			
		187		101	905	1.7	11.22	2.5	570	3.6	800	6.7	1960	10	2250			
		211		89.3	804	1.9	9.96	2.5	560	3.6	790	6.8	1910	10	2250			
2100		248		76.5	688	2.2	8.47	2.5	550	3.5	780	6.8	1840	10	2250	SK 02050 - 90 N3/8	29.2	64.4
		284		67.0	603	2.3	7.43	2.4	540	3.5	770	6.8	1780	10	2250			
		88		201	1806	0.8	24.01	2.3	520	3.8	830	3.9	1360	8	1800			
		108		164	1472	0.9	19.42	2.4	530	4.0	890	4.3	1360	8	1800			
		124		143	1289	0.8	16.86	2.4	540	4.1	920	4.5	1360	8	1800			
		142		126	1133	0.9	14.72	2.4	540	4.2	930	4.6	1360	8	1800			
		181		103	923	1.1	11.63	1.8	390	2.2	480	4.8	1360	8	1800			
		224		83.4	750	1.3	9.41	2.0	450	2.4	530	4.9	1360	8	1800			
2100		257		72.8	656	1.5	8.17	2.0	450	2.5	560	4.9	1360	8	1800	SK 02050 - 90 N3/8	29.2	64.4
		294		63.9	575	1.6	7.13	2.0	440	2.6	570	4.9	1360	8	1800			

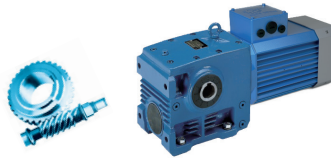
Worm gear units




P_1		n_1	n_2	M_2		f_B	i_{tot}	F_R / F_A				F_{RVL} / F_{AVL}				Model type	 [kg] [lb]	
[kW]	[hp]							[Nm]	[lb-in]	F_R	[lb]	F_A	[kN]	[lb]	F_{RVL}			
0.50	0.67	2400	0.7	3368	29780	0.9	3442.09	9.6	5960	27	6070	9.6	5960	28	6300	SK 43125 - 71 F1/8	117.9	259.9
		2400	0.95	2519	22280	1.2	2526.44	17.1	5960	27	6070	17.1	5960	28	6300			
		2400	1.2	2082	18410	1.5	2056.63	19.4	5960	27	6070	19.4	5960	28	6300			
		2400	1.3	1900	16800	1.6	1860.07	20.1	5960	27	6070	20.1	5960	28	6300			
		2400	1.5	1690	14950	1.8	1639.55	20.8	5960	27	6070	20.8	5960	28	6300			
		2400	1.6	1538	13600	2.0	1476.55	21.3	5960	27	6070	21.3	5960	28	6300			
		2400	2.0	1278	11300	2.4	1198.50	22.0	5960	27	6070	22.0	5960	28	6300			
		2400	2.6	1022	9036	3.0	928.25	22.5	5960	27	6070	22.5	5960	28	6300			
		2400	3.0	893	7896	3.5	794.58	22.7	5960	27	6070	22.7	5960	28	6300			
		2400	3.5	960	8490	2.9	689.67	22.6	5960	27	6070	22.6	5960	28	6300			
		2400	4.0	851	7530	3.1	607.91	22.8	5960	27	6070	22.8	5960	28	6300			
		2400	4.4	772	6830	4.0	547.47	22.9	5960	27	6070	22.9	5960	28	6300			
		2400	5.4	637	5637	4.7	444.38	23.1	5960	27	6070	23.1	5960	28	6300			
		2400	6.3	552	4882	4.7	380.39	23.2	5960	27	6070	23.2	5960	28	6300			
		2400	7.4	477	4218	5.0	323.51	23.2	5960	27	6070	23.2	5960	28	6300			
		2400	1.1	2102	18590	0.8	2200.07	0	3640	16	3600	0	3640	16	3600			
1627	14390			1.0	1671.69	10.5	3640	16	3600	10.5	3640	16	3600					
1480	13090			1.1	1507.71	11.9	3640	16	3600	11.9	3640	16	3600					
1181	10440			1.3	1175.19	14.0	3640	16	3600	14.0	3640	16	3600					
712	6300			2.2	660.60	16.0	3640	16	3600	16.0	3640	16	3600					
581	5137			2.7	519.31	16.2	3640	16	3600	16.2	3640	16	3600					
533	4710			3.0	468.37	16.2	3640	16	3600	16.2	3640	16	3600					
432	3822			3.5	365.07	16.2	3640	16	3600	16.2	3640	16	3600					
366	3234			4.1	299.28	16.2	3640	16	3600	16.2	3640	16	3600					
375	3315			4.0	257.63	16.2	3640	16	3600	16.2	3640	16	3600					
2400	3.7	698	6177	2.0	645	16.0	3640	16	3600	16.0	3640	16	3600	SK 32100 - 71 F1/8	60.9	134.3		
		572	5058	2.5	510	16.2	3640	16	3600	16.2	3640	16	3600					
		306	2711	4.6	241.50	16.2	3640	16	3600	16.2	3640	16	3600					
2400	2.5	942	8329	0.8	956.44	7.2	2920	12	2700	7.2	2920	12	2700	SK 13080 - 71 F1/8	39.9	88.0		
		808	7142	1	805.28	8.9	2920	12	2700	8.9	2920	12	2700					
		718	6349	1.1	706.25	9.7	2920	12	2700	9.7	2920	12	2700					
		651	5755	1.2	630.68	10.3	2920	12	2700	10.3	2920	12	2700					
		570	5043	1.4	542.07	10.8	2920	12	2700	10.8	2920	12	2700					
		514	4542	1.5	482.13	11.2	2920	12	2700	11.2	2920	12	2700					
		552	4879	1.4	403.2	10.9	2920	12	2700	10.9	2920	12	2700					
		470	4155	1.5	339.48	11.4	2920	12	2700	11.4	2920	12	2700					
		415	3673	1.5	297.73	11.6	2870	12	2700	11.6	2920	12	2700					
		374	3312	1.5	265.87	11.8	2800	12	2700	11.8	2920	12	2700					
		326	2880	1.8	228.52	12.0	2700	12	2700	12.0	2920	12	2700					
		304	2692	1.5	193.73	11.1	2500	12	2700	12.0	2920	12	2700					
		258	2285	1.5	163.11	10.7	2400	12	2700	12.1	2920	12	2700					
		228	2014	1.5	143.05	10.3	2330	12	2700	12.2	2920	12	2700					
		205	1812	1.5	127.74	10.1	2260	12	2700	12.3	2920	12	2700					
		177	1569	1.5	109.8	9.7	2180	12	2700	12.3	2920	12	2700					
158	1399	1.5	97.65	9.4	2110	12	2700	12.3	2920	12	2700							

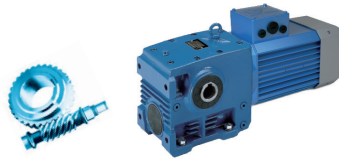
0.50 kW / 0.67 hp

TEFC



Worm gear units

P ₁		n ₁	n ₂	M ₂		f _B	i _{tot}	F _R /F _A				F _{RVL} /F _{AVL}				Model type	 [kg] [lb]					
								F _R		F _A		F _{RVL}		F _{AVL}								
[kW]	[hp]	[rpm]	[Nm]	[lb-in]				[kN]	[lb]	[kN]	[lb]	[kN]	[lb]	[kN]	[lb]							
0.50	0.67	2400	5.1	484	4283	0.8	471.70	2.8	1950	7.8	1750	2.8	2140	10	2250	SK 13063 - 71 F1/8	29.9	65.9				
		2400	6.9	470	4158	0.8	349.37	3.1	1670	7.8	1750	3.1	2140	10	2250							
		2400	7.7	421	3725	0.9	310.92	4.1	1650	7.8	1750	4.1	2160	10	2250							
		2400	9.4	349	3082	1.1	254.89	5.2	1620	7.8	1750	5.2	2200	10	2250							
		2400	11	309	2736	1.2	224.12	5.6	1590	7.8	1750	5.6	2210	10	2250							
		2400	12	276	2442	1.3	198.86	5.8	1560	7.8	1750	5.8	2230	10	2250							
		2400	13	275	2433	1.2	178.31	5.9	1450	7.8	1750	5.9	2220	10	2250							
		2400	16	227	2006	1.5	146.17	6.2	1400	7.8	1750	6.2	2240	10	2250							
		2400	19	201	1776	1.5	128.53	6.1	1370	7.8	1750	6.3	2250	10	2250							
		2400	21	179	1581	1.5	114.04	6.0	1340	7.8	1750	6.4	2260	10	2250							
		2400	25	154	1359	1.5	97.03	5.8	1300	7.8	1750	6.6	2260	10	2250							
		2400	30	134	1185	1.5	79.54	5.1	1150	7.8	1750	6.6	2260	10	2250							
		2400	37	110	975	1.5	65.20	4.9	1110	7.8	1750	6.7	2270	10	2250							
		2400		13	252	2228	0.8	181.66	3.1	1310	7.2	1610	3.1	1360	8				1800	SK 13050 - 71 F1/8	25.9	57.1
15	247			2184	0.8	158.12	3.2	1160	7.2	1610	3.2	1360	8	1800								
17	217			1923	0.9	139.04	3.7	1150	7.2	1610	3.7	1360	8	1800								
20	193			1705	1.0	122.68	4.0	1140	7.2	1610	4.0	1360	8	1800								
24	157			1387	1.2	99.23	4.4	1110	7.2	1610	4.4	1360	8	1800								
28	137			1213	1.3	86.15	4.5	1090	7.2	1610	4.5	1360	8	1800								
31	128			1134	1.1	76.61	4.2	940	6.4	1430	4.6	1360	8	1800								
36	113			998	1.2	67.37	4.1	930	6.5	1460	4.7	1360	8	1800								
40	100			884	1.3	59.44	4.1	920	6.6	1470	4.8	1360	8	1800								
50	81.2			718	1.4	48.08	4.0	890	6.6	1480	4.9	1360	8	1800								
57	71.0			628	1.6	41.74	3.9	870	6.5	1470	4.9	1360	8	1800								
2400				4.6	549	4858	1.3	520.20	11.0	2920	12	2700	11.0	2920	12	2700	SK 12080 - 71 F1/8	34.9	76.9			
				6	441	3899	1.6	402.90	11.5	2920	12	2700	11.5	2920	12	2700						
				10	279	2468	2.5	234.60	12.1	2810	12	2700	12.1	2920	12	2700						
		13	231	2039	2.9	187.17	11.7	2640	12	2700	12.2	2920	12	2700								
		15	199	1764	3.4	157.59	11.2	2510	12	2700	12.3	2920	12	2700								
		17	178	1576	3.6	138.21	10.8	2420	12	2700	12.3	2920	12	2700								
		19	162	1432	3.8	123.42	10.4	2340	12	2700	12.3	2920	12	2700								
		23	142	1256	4.2	106.08	10.0	2240	12	2700	12.4	2920	12	2700								
2400		5.2	478	4230	0.8	464.61	2.9	1950	7.8	1750	2.9	2140	10	2250	SK 12063 - 71 F1/8	24.9	54.9					
		5.8	431	3812	0.8	413.10	4.0	1920	7.8	1750	4.0	2170	10	2250								
		12	273	2410	1.3	195.86	5.9	1550	7.8	1750	5.9	2230	10	2250								
		13	213	1888	1.5	183.6	6.3	1630	7.8	1750	6.3	2250	10	2250								
		15	192	1698	1.6	162.18	6.4	1580	7.8	1750	6.4	2260	10	2250								
		17	174	1537	1.7	144.33	6.5	1530	7.8	1750	6.5	2260	10	2250								
		20	146	1293	2.0	118.32	6.5	1460	7.8	1750	6.6	2270	10	2250								
		23	131	1158	2.3	104.04	6.3	1410	7.8	1750	6.6	2280	10	2250								
		26	118	1042	2.5	92.31	6.1	1360	7.8	1750	6.7	2280	10	2250								
		31	116	1023	2.6	77.40	5.6	1270	7.8	1750	6.7	2280	10	2250								
		35	103	913	2.9	68.37	5.5	1230	7.8	1750	6.7	2280	10	2250								
		39	92.8	820	3.0	60.85	5.3	1190	7.8	1750	6.7	2280	10	2250								
		48	77.1	682	3.4	49.88	5.0	1130	7.8	1750	6.8	2290	10	2250								
		55	68.5	606	3.7	43.86	4.9	1090	7.8	1750	6.8	2290	10	2250								
62	61.1	541	4.0	38.92	4.7	1050	7.8	1750	6.8	2290	10	2250										
69	58.3	515	4.5	34.89	4.5	1010	7.8	1750	6.8	2290	10	2250										



P ₁		n ₁	n ₂	M ₂		f _B	i _{tot}	F _R / F _A				F _{RVL} / F _{AVL}				Model type	📦						
[kW]	[hp]			[Nm]	[lb-in]			F _R	F _A	F _{RVL}	F _{AVL}	[kN]	[lb]	[kN]	[lb]		[kN]	[lb]	[kg]	[lb]			
0.50	0.67	2400	14	236	2087	0.8	170.10	3.4	1290	7.2	1610	3.4	1360	8	1800	SK 02050 - 71 F1/8	20.9	46.1					
		2400	16	169	1497	1.0	147.90	4.3	1360	7.2	1610	4.3	1360	8	1800								
		2400	18	151	1335	1.1	130.05	4.4	1320	7.2	1610	4.4	1360	8	1800								
		2400	21	136	1198	1.2	114.75	4.6	1280	7.2	1610	4.6	1360	8	1800								
		2400	26	112	994	1.5	92.82	4.7	1220	7.2	1610	4.7	1360	8	1800								
		2400	30	99.5	880	1.7	80.58	4.8	1180	7.2	1610	4.8	1360	8	1800								
		2400	37	96.3	852	1.7	65.25	4.8	1080	7.2	1610	4.8	1360	8	1800								
		2400	42	85.3	755	2.0	57.38	4.6	1040	7.2	1610	4.8	1360	8	1800								
		2400	47	76.1	673	2.0	50.63	4.5	1010	7.2	1610	4.9	1360	8	1800								
		2400	59	62.4	552	2.5	40.95	4.3	960	7.2	1610	4.9	1360	8	1800								
		2400	67	54.8	485	2.8	35.55	4.1	920	7.2	1610	5.0	1360	8	1800								
		2400	78	51.2	453	3.0	30.94	3.9	870	7.2	1610	5.0	1360	8	1800								
		2400	88	45.2	399	3.4	27.21	3.7	840	7.0	1580	5.0	1360	8	1800								
		2400	100	40.1	355	3.9	24.01	3.6	810	6.8	1530	5.0	1360	8	1800								
		2400	124	32.7	289	4.4	19.42	3.4	770	6.4	1450	5.0	1360	8	1800								
		2400	142	28.6	253	4.2	16.86	3.3	740	6.2	1390	5.0	1360	8	1800								
		2400	163	25.1	222	4.5	14.72	3.2	710	6.0	1340	5.0	1360	8	1800								
		1.00	1.35	2400	1.3	3800	33850	0.8	1860.07	0	5960	27	6070	0	5960				28	6300	SK 43125 - 71 F2/8	119	262.4
2400	1.5			3381	30120	0.9	1639.55	9.4	5960	27	6070	9.4	5960	28	6300								
2400	1.6			3076	27410	1.0	1476.55	13.0	5960	27	6070	13.0	5960	28	6300								
2400	2.0			2556	22770	1.2	1198.50	16.9	5960	27	6070	16.9	5960	28	6300								
2400	2.6			2043	18210	1.5	928.25	19.5	5960	27	6070	19.5	5960	28	6300								
2400	3			1786	15910	1.7	794.58	20.5	5960	27	6070	20.5	5960	28	6300								
2400	3.5			1920	17110	1.5	689.67	20.0	5960	27	6070	20	5960	28	6300								
2400	4.0			1703	15170	1.6	607.91	20.8	5960	27	6070	20.8	5960	28	6300								
2400	4.4			1545	13760	2.0	547.47	21.3	5960	27	6070	21.3	5960	28	6300								
2400	5.4			1275	11360	2.3	444.38	22.0	5960	27	6070	22.0	5960	28	6300								
2400	6.3			1104	9838	2.4	380.39	22.4	5950	27	6070	22.4	5960	28	6300								
2400	7.4			954	8498	2.5	323.51	22.6	5720	27	6070	22.6	5960	28	6300								
2400	8.9			809	7209	3.5	269.76	22.9	5460	27	6070	22.9	5960	28	6300								
2400	10			718	6395	3.9	236.58	23.0	5270	27	6070	23.0	5960	28	6300								
2400	13			581	5180	4.5	187.80	22.0	4940	27	6070	23.1	5960	28	6300								
2400	3.6			1425	12690	1.1	660.60	12.3	3640	16	3600	12.3	3640	16	3600	SK 33100 - 71 F2/8	70	154.3					
				2400	4.6	1162	10350	1.4	519.31	14.1	3640	16	3600	14.1	3640				16	3600			
				2400	5.1	1065	9489	1.5	468.37	14.6	3640	16	3600	14.6	3640				16	3600			
				2400	6.6	864	7700	1.7	365.07	15.5	3640	16	3600	15.5	3640				16	3600			
				2400	8.0	731	6516	2.1	299.28	15.9	3640	16	3600	15.9	3640				16	3600			
		2400	9.3	750	6679	2.0	257.63	15.9	3640	16	3600	15.9	3640	16	3600								
		2400	13	548	4881	2.6	182.66	15.7	3530	16	3600	16.2	3640	16	3600								
		2400	17	436	3887	3.0	142.38	14.8	3310	16	3600	16.2	3640	16	3600								
		2400	20	396	3531	3.0	121.21	13.9	3110	16	3600	16.2	3640	16	3600								
		2400	22	360	3205	3.3	109.32	13.5	3030	16	3600	16.2	3640	16	3600								
		2400	28	284	2534	3.8	85.21	12.7	2840	16	3600	16.2	3640	16	3600								
		2400	34	235	2098	4.6	69.85	12.0	2690	16	3600	16.2	3640	16	3600								
2400	45	188	1674	3.7	53.70	10.7	2410	16	3600	16.2	3640	16	3600										

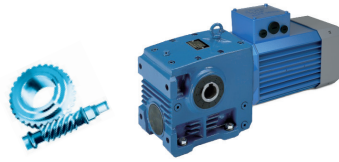
1.00 kW / 1.35 hp

TEFC



P ₁		n ₁	n ₂	M ₂		f _B	i _{tot}	F _R /F _A				F _{RVL} /F _{AVL}				Model type	📦	
[kW]	[hp]			[Nm]	[lb-in]			F _R	F _A	F _{RVL}	F _{AVL}	[kN]	[lb]	[kN]	[lb]		[kN]	[lb]
1.00	1.35	2400	3.7	1397	12450	1.0	645.00	12.6	3640	16	3600	12.6	3640	16	3600	SK 32100 - 71 F2/8	62	136.7
		2400	4.7	1144	10190	1.2	510.00	14.2	3640	16	3600	14.2	3640	16	3600			
		2400	9.9	613	5462	2.3	241.50	16.2	3640	16	3600	16.2	3640	16	3600			
		2400	13	486	4331	2.8	183.500	16.2	3640	16	3600	16.2	3640	16	3600			
		2400	15	445	3968	3.0	165.50	15.8	3540	16	3600	16.2	3640	16	3600			
		2400	19	359	3201	3.5	129.00	14.7	3300	16	3600	16.2	3640	16	3600			
		2400	25	299	2667	4.4	94.19	13.2	2970	16	3600	16.2	3640	16	3600			
2400	6	882	7857	0.8	402.90	8.0	2740	12	2700	8	2920	12	2700	SK 12080 - 71 F2/8	36	79.4		
2400	10	558	4973	1.3	234.60	10.9	2490	12	2700	10.9	2920	12	2700					
2400	13	461	4108	1.5	187.17	10.6	2380	12	2700	11.4	2920	12	2700					
2400	15	399	3554	1.7	157.59	10.2	2290	12	2700	11.7	2920	12	2700					
2400	17	356	3176	1.8	138.21	9.9	2220	12	2700	11.8	2920	12	2700					
2400	19	324	2886	1.9	123.42	9.6	2160	12	2700	12	2920	12	2700					
2400	23	284	2532	2.1	106.08	9.3	2080	12	2700	12.1	2920	12	2700					
2400	25	256	2277	2.2	94.35	9.0	2020	12	2700	12.1	2920	12	2700					
2400	30	245	2185	2.7	78.91	8.3	1870	12	2700	12.2	2920	12	2700					
2400	36	210	1867	3.0	66.44	8.0	1800	12	2700	12.3	2920	12	2700					
2400	41	185	1653	3.2	58.27	7.7	1740	12	2700	12.3	2920	12	2700					
2400	46	167	1491	3.4	52.03	7.5	1690	12	2700	12.3	2920	12	2700					
2400	54	145	1295	3.8	44.72	7.2	1620	12	2700	12.4	2920	12	2700					
2400	63	129	1152	4.3	37.91	6.8	1520	11.9	2680	12.4	2920	12	2700					
2400	75	110	979	4.8	31.92	6.5	1450	11.4	2570	12.4	2920	12	2700					
2400	13	427	3804	0.8	183.60	4.1	1330	7.8	1750	4.1	2170	10	2250	SK 12063 - 71 F2/8	26	57.3		
2400	15	384	3422	0.8	162.18	4.7	1310	7.8	1750	4.7	2190	10	2250					
2400	17	348	3097	0.9	144.33	5.2	1290	7.8	1750	5.2	2200	10	2250					
2400	20	292	2606	1.0	118.32	5.6	1250	7.8	1750	5.7	2230	10	2250					
2400	23	262	2334	1.1	104.04	5.5	1230	7.8	1750	6	2240	10	2250					
2400	26	236	2099	1.3	92.31	5.4	1200	7.8	1750	6.1	2250	10	2250					
2400	31	231	2061	1.3	77.40	4.9	1090	7.8	1750	6.2	2240	10	2250					
2400	35	206	1839	1.4	68.37	4.8	1070	7.8	1750	6.3	2250	10	2250					
2400	39	186	1653	1.5	60.85	4.7	1050	7.8	1750	6.4	2260	10	2250					
2400	48	154	1373	1.7	49.88	4.5	1010	7.8	1750	6.6	2270	10	2250					
2400	55	137	1221	1.8	43.86	4.4	990	7.8	1750	6.6	2270	10	2250					
2400	62	122	1090	2.0	38.92	4.3	960	7.8	1750	6.7	2280	10	2250					
2400	69	117	1038	2.2	34.89	4.1	910	7.3	1630	6.7	2270	10	2250					
2400	84	96.3	858	2.5	28.61	3.9	880	7.0	1570	6.7	2280	10	2250					
2400	95	85.3	760	2.9	25.15	3.8	850	6.8	1530	6.8	2280	10	2250					
2400	108	75.9	676	3.2	22.32	3.7	830	6.6	1490	6.8	2280	10	2250					
2400	126	65.2	581	3.3	18.99	3.5	800	6.4	1440	6.8	2290	10	2250					
2400	154	55.2	492	3.4	15.57	3.2	720	5.5	1230	6.8	2190	10	2250					
2400	188	45.4	405	4.0	12.76	3.1	690	5.3	1180	6.8	2070	10	2250					
2400	214	40.1	358	4.4	11.22	3.0	670	5.0	1120	6.8	2000	10	2250					
2400	241	35.6	318	4.8	9.96	2.9	650	4.8	1070	6.8	1940	10	2250					

Worm gear units




P ₁		n ₁	n ₂	M ₂		f _B	i _{tot}	F _R / F _A				F _{RVL} / F _{AVL}				Model type	📦						
[kW]	[hp]			[Nm]	[lb-in]			F _R	F _A	F _{RVL}	F _{AVL}	[kN]	[lb]	[kN]	[lb]		[kN]	[lb]	[kg]	[lb]			
1.00	1.35	2400	30	199	1773	0.8	80.58	3.9	1010	7.2	1610	3.9	1360	8	1800	SK 02050 - 71 F2/8	22	48.5					
		2400	37	193	1717	0.9	65.25	4.0	900	7.2	1610	4	1360	8	1800								
		2400	42	171	1521	1.0	57.38	4.0	890	7.2	1610	4.2	1360	8	1800								
		2400	47	152	1356	1.0	50.63	3.9	880	7.2	1610	4.4	1360	8	1800								
		2400	59	125	1111	1.2	40.95	3.8	850	7.2	1610	4.6	1360	8	1800								
		2400	67	110	977	1.4	35.55	3.7	830	7.1	1600	4.7	1360	8	1800								
		2400	78	102	912	1.5	30.94	3.4	760	6.2	1380	4.8	1360	8	1800								
		2400	88	90.3	805	1.7	27.21	3.3	750	6.1	1360	4.8	1360	8	1800								
		2400	100	80.3	715	1.9	24.01	3.3	730	6	1340	4.9	1360	8	1800								
		2400	124	65.4	583	2.2	19.42	3.1	700	5.8	1290	4.9	1360	8	1800								
		2400	142	57.2	510	2.1	16.86	3.0	680	5.6	1260	4.9	1360	8	1800								
		2400	163	50.3	448	2.2	14.72	2.9	660	5.5	1220	5.0	1360	8	1800								
		2400	182	46.2	411	2.6	13.18	2.7	600	4.6	1020	5.0	1360	8	1800								
		2400	206	40.9	365	2.8	11.63	2.6	590	4.4	990	5.0	1360	8	1800								
		2400	255	33.3	296	3.3	9.41	2.5	560	4.1	930	5.0	1360	8	1800								
		2400	293	29.1	259	3.8	8.17	2.4	540	4.0	890	5.0	1360	8	1800								
		2400	335	25.5	227	4.1	7.13	2.3	530	3.8	850	5.0	1360	8	1800								
		2400	435	19.7	176	4.8	5.51	2.2	490	3.5	790	5.0	1360	8	1800								
		1.50	2.00	2400	2.0	3834	33740	0.8	1198.5	0	5960	27	6070	0	5960				28	6300	SK 43125 - 71 F3/8	120	264.6
				2400	2.6	3065	26970	1.0	928.25	13.1	5960	27	6070	13.1	5960				28	6300			
2400	3.0			2678	23570	1.2	794.58	16.1	5960	27	6070	16.1	5960	28	6300								
2400	3.5			2880	25340	1.0	689.67	14.7	5960	27	6070	14.7	5960	28	6300								
2400	4.0			2554	22480	1.0	607.91	16.9	5960	27	6070	16.9	5960	28	6300								
2400	4.4			2317	20390	1.3	547.47	18.3	5870	27	6070	18.3	5960	28	6300								
2400	5.4			1912	16830	1.6	444.38	20.1	5680	27	6070	20.1	5960	28	6300								
2400	6.3			1656	14570	1.6	380.39	20.9	5530	27	6070	20.9	5960	28	6300								
2400	7.4			1431	12590	1.7	323.51	21.6	5350	27	6070	21.6	5960	28	6300								
2400	4.6			1743	15340	0.9	519.31	9.2	3640	16	3600	9.2	3640	16	3600	SK 33100 - 90 F1/8	74	163.1					
2400	5.1			1598	14060	1.0	468.37	10.8	3640	16	3600	10.8	3640	16	3600								
2400	6.6			1296	11410	1.2	365.07	13.3	3640	16	3600	13.3	3640	16	3600								
2400	8.0			1097	9653	1.4	299.28	14.4	3640	16	3600	14.4	3640	16	3600								
2400	13			822	7230	1.7	182.66	14.5	3270	16	3600	15.6	3640	16	3600								
2400	17			654	5758	2.0	142.38	13.8	3110	16	3600	16.2	3640	16	3600								
2400	20			594	5231	2.0	121.21	12.9	2910	16	3600	16.2	3640	16	3600								
2400	22			539	4748	2.2	109.32	12.6	2850	16	3600	16.2	3640	16	3600								
2400	28			427	3754	2.5	85.21	12.0	2690	16	3600	16.2	3640	16	3600								
2400	34			353	3108	3.1	69.85	11.4	2570	16	3600	16.2	3640	16	3600								
2400	45			282	2480	2.4	53.70	10.1	2270	16	3600	16.2	3640	16	3600								
2400	4.6	1743	15340	0.9	519.31	9.2	3640	16	3600	9.2	3640	16	3600	SK 33100 - 71 F3/8	71	156.5							
2400	5.1	1598	14060	1.0	468.37	10.8	3640	16	3600	10.8	3640	16	3600										
2400	6.6	1296	11410	1.2	365.07	13.3	3640	16	3600	13.3	3640	16	3600										
2400	8.0	1097	9653	1.4	299.28	14.4	3640	16	3600	14.4	3640	16	3600										
2400	9.3	1124	9895	1.3	257.63	14.3	3470	16	3600	14.3	3640	16	3600										
2400	13	822	7230	1.7	182.66	14.5	3270	16	3600	15.6	3640	16	3600										

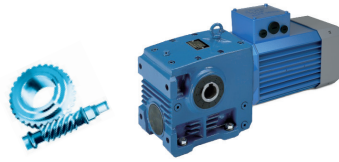
1.50 kW / 2.00 hp

TEFC



Worm gear units

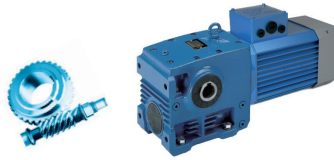
P ₁		n ₁	n ₂	M ₂		f _B	i _{tot}	F _R /F _A				F _{RVL} /F _{AVL}				Model type	 [kg] [lb]	
								F _R		F _A		F _{RVL}		F _{AVL}				
[kW]	[hp]	[rpm]	[Nm]	[lb-in]				[kN]	[lb]	[kN]	[lb]	[kN]	[lb]	[kN]	[lb]			
1.50	2.00	2400	17	654	5758	2.0	142.38	13.8	3110	16	3600	16.2	3640	16	3600	SK 33100 - 71 F3/8	71	156.5
		2400	20	594	5231	2.0	121.21	12.9	2910	16	3600	16.2	3640	16	3600			
		2400	22	539	4748	2.2	109.32	12.6	2850	16	3600	16.2	3640	16	3600			
		2400	28	427	3754	2.5	85.21	12.0	2690	16	3600	16.2	3640	16	3600			
		2400	34	353	3108	3.1	69.85	11.4	2570	16	3600	16.2	3640	16	3600			
		2400	45	282	2480	2.4	53.70	10.1	2270	16	3600	16.2	3640	16	3600			
		2400	4.7	1716	15100	0.8	510	9.5	3640	16	3600	9.5	3640	16	3600	SK 32100 - 71 F3/8	63	138.9
		2400	13	692	6086	1.0	187.17	9.5	2130	12	2700	10.0	2920	12	2700	SK 12080 - 90 F1/8	40	88.2
		2400	15	598	5266	1.1	157.59	9.2	2070	12	2700	10.6	2920	12	2700			
		2400	17	535	4705	1.2	138.21	9.0	2030	12	2700	11.0	2920	12	2700			
		2400	19	486	4276	1.3	123.42	8.8	1990	12	2700	11.3	2920	12	2700			
		2400	23	426	3751	1.4	106.08	8.6	1930	12	2700	11.6	2920	12	2700			
		2400	25	383	3374	1.5	94.35	8.4	1880	12	2700	11.7	2920	12	2700			
		2400	30	368	3237	1.8	78.91	7.7	1730	12	2700	11.8	2920	12	2700			
		2400	36	314	2766	2.0	66.44	7.4	1680	12	2700	12.0	2920	12	2700			
		2400	41	278	2448	2.2	58.27	7.2	1630	12	2700	12.1	2920	12	2700			
		2400	46	251	2208	2.3	52.03	7.1	1590	12	2700	12.2	2920	12	2700			
		2400	54	218	1918	2.5	44.72	6.8	1540	12	2700	12.2	2920	12	2700			
		2400	63	194	1706	2.8	37.91	6.4	1430	11.1	2510	12.3	2920	12	2700			
		2400	75	165	1450	3.2	31.92	6.1	1380	10.8	2420	12.3	2920	12	2700			
		2400	86	145	1278	3.5	27.99	6.0	1340	10.5	2350	12.4	2920	12	2700			
		2400	96	131	1149	3.8	25.00	5.8	1300	10.2	2290	12.4	2920	12	2700			
		2400	111	113	994	4.2	21.49	5.6	1250	9.8	2210	12.4	2920	12	2700			
		2400	126	100	884	4.5	19.11	5.4	1220	9.6	2150	12.4	2920	12	2700			
		2400	150	86.2	758	4.6	15.98	5.0	1110	8.3	1860	12.3	2750	12	2700			
		2400	172	75.8	667	4.8	14.01	4.8	1080	7.8	1770	11.8	2660	12	2700			
		2400	10	837	7367	0.8	234.6	8.6	2190	12	2700	8.6	2920	12	2700	SK 12080 - 71 F3/8	37	81.6
		2400	13	692	6086	1.0	187.17	9.5	2130	12	2700	10.0	2920	12	2700			
		2400	15	598	5266	1.1	157.59	9.2	2070	12	2700	10.6	2920	12	2700			
		2400	17	535	4705	1.2	138.21	9.0	2030	12	2700	11.0	2920	12	2700			
		2400	19	486	4276	1.3	123.42	8.8	1990	12	2700	11.3	2920	12	2700			
		2400	23	426	3751	1.4	106.08	8.6	1930	12	2700	11.6	2920	12	2700			
		2400	25	383	3374	1.5	94.35	8.4	1880	12	2700	11.7	2920	12	2700			
		2400	30	368	3237	1.8	78.91	7.7	1730	12	2700	11.8	2920	12	2700			
		2400	36	314	2766	2.0	66.44	7.4	1680	12	2700	12.0	2920	12	2700			
		2400	41	278	2448	2.2	58.27	7.2	1630	12	2700	12.1	2920	12	2700			
		2400	46	251	2208	2.3	52.03	7.1	1590	12	2700	12.2	2920	12	2700			
		2400	54	218	1918	2.5	44.72	6.8	1540	12	2700	12.2	2920	12	2700			
		2400	63	194	1706	2.8	37.91	6.4	1430	11.1	2510	12.3	2920	12	2700			
		2400	75	165	1450	3.2	31.92	6.1	1380	10.8	2420	12.3	2920	12	2700			
		2400	86	145	1278	3.5	27.99	6.0	1340	10.5	2350	12.4	2920	12	2700			
		2400	96	131	1149	3.8	25.00	5.8	1300	10.2	2290	12.4	2920	12	2700			
		2400	111	113	994	4.2	21.49	5.6	1250	9.8	2210	12.4	2920	12	2700			
		2400	126	100	884	4.5	19.11	5.4	1220	9.6	2150	12.4	2920	12	2700			
		2400	150	86.2	758	4.6	15.98	5.0	1110	8.3	1860	12.3	2750	12	2700			
		2400	172	75.8	667	4.8	14.01	4.8	1080	7.8	1770	11.8	2660	12	2700			




P ₁		n ₁	n ₂	M ₂		f _B	i _{tot}	F _R /F _A				F _{RVL} /F _{AVL}				Model type	📦					
[kW]	[hp]			[Nm]	[lb-in]			F _R	F _A	F _{RVL}	F _{AVL}	[kN]	[lb]	[kN]	[lb]		[kN]	[lb]	[kg]	[lb]		
1.50	2.00	2400	23	393	3458	0.8	104.04	4.6	1050	7.8	1750	4.6	2190	10	2250	SK 12063 - 90 F1/8	30	66.1				
		2400	26	353	3109	0.8	92.31	4.6	1050	7.8	1750	5.1	2200	10	2250							
		2400	39	278	2449	1.0	60.85	4.1	920	7.6	1720	5.8	2230	10	2250							
		2400	48	231	2034	1.1	49.88	4.0	900	7.5	1690	6.2	2240	10	2250							
		2400	55	205	1808	1.2	43.86	4.0	890	7.4	1660	6.3	2250	10	2250							
		2400	62	183	1614	1.3	38.92	3.9	880	7.3	1630	6.4	2260	10	2250							
		2400	69	175	1538	1.5	34.89	3.7	820	6.4	1440	6.5	2260	10	2250							
		2400	84	144	1271	1.7	28.61	3.6	800	6.3	1420	6.6	2270	10	2250							
		2400	95	128	1126	1.9	25.15	3.5	780	6.2	1390	6.6	2270	10	2250							
		2400	108	114	1002	2.2	22.32	3.4	770	6.1	1370	6.7	2280	10	2250							
		2400	126	97.7	860	2.2	18.99	3.3	740	5.9	1330	6.7	2280	10	2250							
		2400	154	82.8	729	2.3	15.57	3.0	660	4.8	1070	6.8	2130	10	2250							
		2400	188	68.1	600	2.6	12.76	2.9	640	4.5	1020	6.8	2030	10	2250							
		2400	214	60.2	530	2.9	11.22	2.8	630	4.4	990	6.8	1960	10	2250							
		2400	241	53.5	471	3.2	9.96	2.7	610	4.3	960	6.8	1900	10	2250							
		2400	283	45.8	403	3.6	8.47	2.6	590	4.1	920	6.8	1820	10	2250							
		2400	324	40.1	353	3.9	7.43	2.5	570	3.9	880	6.8	1760	10	2250							
		2400		23	393	3458	0.8	104.04	4.6	1050	7.8	1750	4.6	2190	10				2250	SK 12063 - 71 F3/8	27	59.5
				26	353	3109	0.8	92.31	4.6	1050	7.8	1750	5.1	2200	10				2250			
				31	347	3053	0.9	77.40	4.1	930	7.7	1740	5.2	2200	10				2250			
35	310			2725	1.0	68.37	4.1	920	7.7	1730	5.6	2220	10	2250								
39	278			2449	1.0	60.85	4.1	920	7.6	1720	5.8	2230	10	2250								
48	231			2034	1.1	49.88	4.0	900	7.5	1690	6.2	2240	10	2250								
55	205			1808	1.2	43.86	4.0	890	7.4	1660	6.3	2250	10	2250								
62	183			1614	1.3	38.92	3.9	880	7.3	1630	6.4	2260	10	2250								
69	175			1538	1.5	34.89	3.7	820	6.4	1440	6.5	2260	10	2250								
84	144			1271	1.7	28.61	3.6	800	6.3	1420	6.6	2270	10	2250								
95	128			1126	1.9	25.15	3.5	780	6.2	1390	6.6	2270	10	2250								
108	114			1002	2.2	22.32	3.4	770	6.1	1370	6.7	2280	10	2250								
126	97.7			860	2.2	18.99	3.3	740	5.9	1330	6.7	2280	10	2250								
154	82.8			729	2.3	15.57	3.0	660	4.8	1070	6.8	2130	10	2250								
188	68.1			600	2.6	12.76	2.9	640	4.5	1020	6.8	2030	10	2250								
214	60.2			530	2.9	11.22	2.8	630	4.4	990	6.8	1960	10	2250								
241	53.5			471	3.2	9.96	2.7	610	4.3	960	6.8	1900	10	2250								
283	45.8			403	3.6	8.47	2.6	590	4.1	920	6.8	1820	10	2250								
324	40.1			353	3.9	7.43	2.5	570	3.9	880	6.8	1760	10	2250								
2400				59	187	1647	0.8	40.95	3.3	740	6.4	1440	4.1	1360	8	1800	SK 02050 - 90 F1/8	26	57.3			
		67	164	1447	0.9	35.55	3.3	730	6.3	1420	4.3	1360	8	1800								
		100	120	1059	1.3	24.01	2.9	650	5.1	1150	4.7	1360	8	1800								
		124	98.1	863	1.5	19.42	2.8	630	5.1	1140	4.8	1360	8	1800								
		142	85.9	756	1.4	16.86	2.8	620	5.0	1130	4.8	1360	8	1800								
		163	75.4	664	1.5	14.72	2.7	610	4.9	1110	4.9	1360	8	1800								
		206	61.4	540	1.8	11.63	2.4	530	3.5	800	4.9	1360	8	1800								
		255	49.9	439	2.2	9.41	2.3	510	3.5	780	5.0	1360	8	1800								
		293	43.6	384	2.5	8.17	2.2	500	3.4	760	5.0	1360	8	1800								
		335	38.2	337	2.7	7.13	2.2	490	3.3	750	5.0	1360	8	1800								

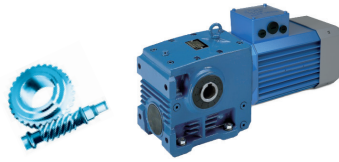
1.50 kW / 2.00 hp
2.20 kW / 3.00 hp

TEFC



P ₁		n ₁	n ₂	M ₂		f _B	i _{tot}	F _R /F _A				F _{RVL} /F _{AVL}				Model type	 [kg] [lb]						
								F _R		F _A		F _{RVL}		F _{AVL}									
[kW]	[hp]	[rpm]	[Nm]	[lb-in]				[kN]	[lb]	[kN]	[lb]	[kN]	[lb]	[kN]	[lb]								
1.50	2.00	2400	59	187	1647	0.8	40.95	3.3	740	6.4	1440	4.1	1360	8	1800	SK 02050 - 71 F3/8	23	50.7					
		2400	67	164	1447	0.9	35.55	3.3	730	6.3	1420	4.3	1360	8	1800								
		2400	78	154	1351	1.0	30.94	2.9	660	5.1	1140	4.4	1360	8	1800								
		2400	88	136	1192	1.1	27.21	2.9	660	5.1	1150	4.6	1360	8	1800								
		2400	100	120	1059	1.3	24.01	2.9	650	5.1	1150	4.7	1360	8	1800								
		2400	124	98.1	863	1.5	19.42	2.8	630	5.1	1140	4.8	1360	8	1800								
		2400	142	85.9	756	1.4	16.86	2.8	620	5.0	1130	4.8	1360	8	1800								
		2400	163	75.4	664	1.5	14.72	2.7	610	4.9	1110	4.9	1360	8	1800								
		2400	182	69.2	609	1.7	13.18	2.4	540	3.6	810	4.9	1360	8	1800								
		2400	206	61.4	540	1.8	11.63	2.4	530	3.5	800	4.9	1360	8	1800								
		2400	255	49.9	439	2.2	9.41	2.3	510	3.5	780	5.0	1360	8	1800								
		2400	293	43.6	384	2.5	8.17	2.2	500	3.4	760	5.0	1360	8	1800								
		2400	335	38.2	337	2.7	7.13	2.2	490	3.3	750	5.0	1360	8	1800								
		2400	435	29.6	261	3.2	5.51	2.1	470	3.1	710	5.0	1360	8	1800								
		2400	587	21.9	193	3.9	4.09	2	440	3.0	680	5.0	1300	8	1800								
		2.20	3.00	2400	3	3928	35360	0.8	794.58	0	5750	27	6070	0	5930				28	6300	SK 43125 - 71 F4/8	123	271.2
2400	4.4			3398	30580	0.9	547.47	9.2	4950	27	6070	9.2	5960	28	6300								
2400	5.4			2804	25240	1.1	444.38	15.3	4920	27	6070	15.3	5960	28	6300								
2400	6.3			2429	21860	1.1	380.39	17.7	4870	27	6070	17.7	5960	28	6300								
2400	7.4			2098	18890	1.1	323.51	19.3	4790	27	6070	19.3	5960	28	6300								
2400				15		878	7899	0.8	157.59	7.8	1750	12	2700	8.1	2920	12	2700	SK 12080 - 90 F2/8	40.8	89.9			
				17		784	7057	0.8	138.21	7.8	1730	12	2700	9.1	2920	12	2700						
				19		713	6413	0.9	123.42	7.7	1720	12	2700	9.8	2920	12	2700						
				23		625	5626	0.9	106.08	7.6	1700	12	2700	10.5	2920	12	2700						
				25		562	5061	1.0	94.35	7.5	1670	12	2700	10.9	2920	12	2700						
				30		539	4855	1.2	78.91	6.8	1510	12	2700	11.0	2920	12	2700						
				36		461	4149	1.4	66.44	6.7	1490	12	2700	11.4	2920	12	2700						
				41		408	3673	1.5	58.27	6.6	1470	12	2680	11.7	2920	12	2700						
				46		368	3312	1.6	52.03	6.5	1440	11.8	2640	11.8	2920	12	2700						
				54		320	2877	1.7	44.72	6.3	1410	11.5	2570	12.0	2920	12	2700						
				63		284	2560	1.9	37.91	5.8	1300	10.0	2230	12.1	2920	12	2700						
				75		242	2175	2.2	31.92	5.7	1270	9.8	2190	12.2	2920	12	2700						
				86		213	1917	2.4	27.99	5.5	1240	9.6	2150	12.2	2920	12	2700						
				96		191	1723	2.6	25.00	5.4	1210	9.4	2110	12.3	2920	12	2700						
				111		166	1490	2.8	21.49	5.3	1180	9.2	2060	12.3	2920	12	2700						
		126		147	1326	3.1	19.11	5.1	1150	9.0	2010	12.4	2890	12	2700								
		150		126	1138	3.1	15.98	4.6	1030	7.2	1610	11.9	2680	12	2700								
		172		111	1001	3.3	14.01	4.5	1010	7.0	1550	11.6	2590	12	2700								
		192		99.8	898	3.5	12.51	4.4	990	6.7	1510	11.2	2520	12	2700								
		223		86.1	775	3.9	10.75	4.3	950	6.5	1450	10.8	2430	12	2700								
252		76.5	688	4.4	9.56	4.1	930	6.2	1400	10.5	2350	12	2700										
318		60.8	547	4.8	7.55	3.9	880	5.8	1300	9.9	2210	12	2700										

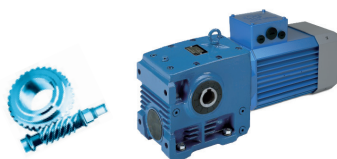
Worm gear units




P ₁		n ₁	n ₂	M ₂		f _B	i _{tot}	F _R /F _A				F _{RVL} /F _{AVL}				Model type	📦	
[kW]	[hp]			[Nm]	[lb-in]			F _R	F _A	F _{RVL}	F _{AVL}	[kN]	[lb]	[kN]	[lb]		[kN]	[lb]
2.20	3.00	2400	15	878	7899	0.8	157.59	7.8	1750	12	2700	8.1	2920	12	2700	SK 12080 - 71 F4/8	40	88.2
		2400	17	784	7057	0.8	138.21	7.8	1730	12	2700	9.1	2920	12	2700			
		2400	19	713	6413	0.9	123.42	7.7	1720	12	2700	9.8	2920	12	2700			
		2400	23	625	5626	0.9	106.08	7.6	1700	12	2700	10.5	2920	12	2700			
		2400	25	562	5061	1.0	94.35	7.5	1670	12	2700	10.9	2920	12	2700			
		2400	30	539	4855	1.2	78.91	6.8	1510	12	2700	11.0	2920	12	2700			
		2400	36	461	4149	1.4	66.44	6.7	1490	12	2700	11.4	2920	12	2700			
		2400	41	408	3673	1.5	58.27	6.6	1470	12	2680	11.7	2920	12	2700			
		2400	46	368	3312	1.6	52.03	6.5	1440	11.8	2640	11.8	2920	12	2700			
		2400	54	320	2877	1.7	44.72	6.3	1410	11.5	2570	12.0	2920	12	2700			
		2400	63	284	2560	1.9	37.91	5.8	1300	10.0	2230	12.1	2920	12	2700			
		2400	75	242	2175	2.2	31.92	5.7	1270	9.8	2190	12.2	2920	12	2700			
		2400	86	213	1917	2.4	27.99	5.5	1240	9.6	2150	12.2	2920	12	2700			
		2400	96	191	1723	2.6	25.00	5.4	1210	9.4	2110	12.3	2920	12	2700			
		2400	111	166	1490	2.8	21.49	5.3	1180	9.2	2060	12.3	2920	12	2700			
		2400	126	147	1326	3.1	19.11	5.1	1150	9.0	2010	12.4	2890	12	2700			
		2400	150	126	1138	3.1	15.98	4.6	1030	7.2	1610	11.9	2680	12	2700			
		2400	172	111	1001	3.3	14.01	4.5	1010	7.0	1550	11.6	2590	12	2700			
		2400	192	99.8	898	3.5	12.51	4.4	990	6.7	1510	11.2	2520	12	2700			
		2400	223	86.1	775	3.9	10.75	4.3	950	6.5	1450	10.8	2430	12	2700			
2400	252	76.5	688	4.4	9.56	4.1	930	6.2	1400	10.5	2350	12	2700					
2400	318	60.8	547	4.8	7.55	3.9	880	5.8	1300	9.9	2210	12	2700					
2400	48	339	3052	0.8	49.88	3.3	730	6.3	1390	5.3	2200	10	2250	SK 12063 - 90 F2/8	30.8	67.9		
2400	55	301	2712	0.8	43.86	3.3	740	6.3	1400	5.6	2220	10	2250					
2400	62	269	2421	0.9	38.92	3.3	740	6.3	1400	5.9	2230	10	2250					
2400	69	256	2307	1.0	34.89	3.1	680	5.2	1150	6.0	2230	10	2250					
2400	84	212	1906	1.2	28.61	3.1	680	5.3	1180	6.3	2240	10	2250					
2400	95	188	1689	1.3	25.15	3.1	680	5.3	1180	6.4	2250	10	2250					
2400	108	167	1503	1.5	22.32	3.0	680	5.3	1180	6.5	2260	10	2250					
2400	126	143	1290	1.5	18.99	3.0	670	5.3	1170	6.6	2240	10	2250					
2400	154	121	1093	1.6	15.57	2.6	570	3.6	790	6.7	2060	10	2250					
2400	188	99.9	899	1.8	12.76	2.5	570	3.6	800	6.7	1960	10	2250					
2400	214	88.3	795	2.0	11.22	2.5	560	3.6	790	6.8	1900	10	2250					
2400	241	78.4	706	2.2	9.96	2.5	550	3.5	790	6.8	1850	10	2250					
2400	283	67.1	604	2.5	8.47	2.4	540	3.5	770	6.8	1780	10	2250					
2400	324	58.8	529	2.7	7.43	2.4	530	3.4	760	6.8	1720	10	2250					
2400	48	339	3052	0.8	49.88	3.3	730	6.3	1390	5.3	2200	10	2250	SK 12063 - 71 F4/8	30	66.1		
2400	55	301	2712	0.8	43.86	3.3	740	6.3	1400	5.6	2220	10	2250					
2400	62	269	2421	0.9	38.92	3.3	740	6.3	1400	5.9	2230	10	2250					
2400	69	256	2307	1.0	34.89	3.1	680	5.2	1150	6.0	2230	10	2250					
2400	84	212	1906	1.2	28.61	3.1	680	5.3	1180	6.3	2240	10	2250					
2400	95	188	1689	1.3	25.15	3.1	680	5.3	1180	6.4	2250	10	2250					
2400	108	167	1503	1.5	22.32	3.0	680	5.3	1180	6.5	2260	10	2250					
2400	126	143	1290	1.5	18.99	3.0	670	5.3	1170	6.6	2240	10	2250					
2400	154	121	1093	1.6	15.57	2.6	570	3.6	790	6.7	2060	10	2250					

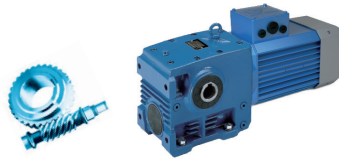
2.20 kW / 3.00 hp
3.00 kW / 4.00 hp


TEFC



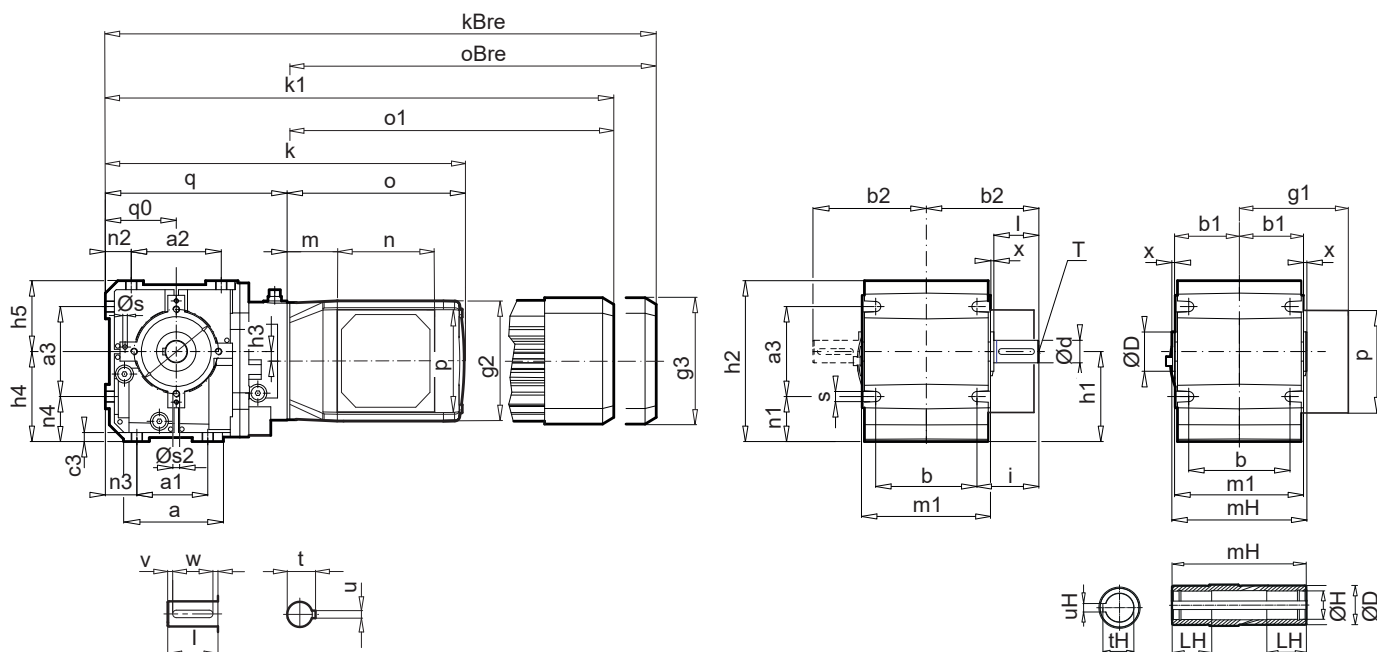
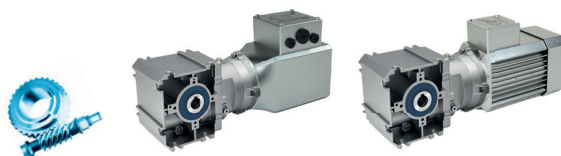
P ₁		n ₁	n ₂	M ₂		f _B	i _{tot}	F _R /F _A				F _{RVL} /F _{AVL}				Model type	 [kg] [lb]	
								F _R		F _A		F _{RVL}		F _{AVL}				
[kW]	[hp]	[rpm]	[Nm]	[lb-in]				[kN]	[lb]	[kN]	[lb]	[kN]	[lb]	[kN]	[lb]			
2.20	3.00	2400	188	99.9	899	1.8	12.76	2.5	570	3.6	800	6.7	1960	10	2250	SK 12063 - 71 F4/8	30	66.1
		2400	214	88.3	795	2.0	11.22	2.5	560	3.6	790	6.8	1900	10	2250			
		2400	241	78.4	706	2.2	9.96	2.5	550	3.5	790	6.8	1850	10	2250			
		2400	283	67.1	604	2.5	8.47	2.4	540	3.5	770	6.8	1780	10	2250			
		2400	324	58.8	529	2.7	7.43	2.4	530	3.4	760	6.8	1720	10	2250			
	2400	100	177	1589	0.9	24.01	2.4	530	3.9	870	4.2	1360	8	1800	SK 02050 - 90 F2/8	26.8	59.1	
			124	1295	1.0	19.42	2.4	540	4.1	910	4.5	1360	8	1800				
			142	1133	1.0	16.86	2.4	540	4.2	930	4.6	1360	8	1800				
			163	996	1.0	14.72	2.4	530	4.1	910	4.7	1360	8	1800				
			206	811	1.3	11.63	1.9	420	2.4	520	4.8	1360	8	1800				
			255	659	1.5	9.41	2.0	450	2.5	560	4.9	1360	8	1800				
			293	576	1.7	8.17	2.0	440	2.6	570	4.9	1360	8	1800				
			335	505	1.9	7.13	2.0	440	2.6	580	5.0	1360	8	1800				
	2400	88	199	1789	0.8	27.21	2.3	520	3.8	830	3.9	1360	8	1800	SK 02050 - 71 F4/8	26	57.3	
			100	1589	0.9	24.01	2.4	530	3.9	870	4.2	1360	8	1800				
			124	1295	1.0	19.42	2.4	540	4.1	910	4.5	1360	8	1800				
142			1133	1.0	16.86	2.4	540	4.2	930	4.6	1360	8	1800					
163			996	1.0	14.72	2.4	530	4.1	910	4.7	1360	8	1800					
182			914	1.2	13.18	1.8	390	2.2	480	4.8	1360	8	1800					
206			811	1.3	11.63	1.9	420	2.4	520	4.8	1360	8	1800					
255			659	1.5	9.41	2.0	450	2.5	560	4.9	1360	8	1800					
293			576	1.7	8.17	2.0	440	2.6	570	4.9	1360	8	1800					
335			505	1.9	7.13	2.0	440	2.6	580	5.0	1360	8	1800					
435			391	2.2	5.51	1.9	420	2.6	580	5.0	1360	8	1800					
587			290	2.6	4.09	1.8	410	2.7	600	5.0	1280	8	1800					
3.00	4.00	2400	30	736	6474	0.9	78.91	5.7	1290	10.6	2390	9.6	2920	12	2700	SK 12080 - 90 F3/8	43.8	96.6
		2400	36	629	5533	1.0	66.44	5.8	1300	10.7	2410	10.4	2920	12	2700			
		2400	41	556	4897	1.1	58.27	5.8	1300	10.6	2400	10.9	2920	12	2700			
		2400	46	502	4416	1.1	52.03	5.7	1290	10.6	2380	11.2	2920	12	2700			
		2400	54	436	3836	1.3	44.72	5.7	1280	10.5	2350	11.5	2920	12	2700			
		2400	63	388	3413	1.4	37.91	5.2	1170	8.7	1960	11.7	2920	12	2700			
		2400	75	330	2900	1.6	31.92	5.1	1160	8.7	1960	11.9	2920	12	2700			
		2400	86	291	2556	1.8	27.99	5.1	1140	8.7	1950	12.1	2920	12	2700			
		2400	96	261	2298	1.9	25.00	5.0	1130	8.6	1930	12.1	2920	12	2700			
		2400	111	226	1987	2.1	21.49	4.9	1100	8.5	1900	12.2	2920	12	2700			
		2400	126	201	1768	2.3	19.11	4.8	1080	8.3	1870	12.3	2830	12	2700			
		2400	150	172	1517	2.3	15.98	4.2	950	6.1	1370	11.6	2600	12	2700			
		2400	172	152	1334	2.4	14.01	4.2	940	6.0	1350	11.2	2530	12	2700			
		2400	192	136	1197	2.5	12.51	4.1	920	5.9	1320	11.0	2460	12	2700			
		2400	223	117	1033	2.9	10.75	4.0	900	5.7	1290	10.6	2380	12	2700			
		2400	252	104	918	3.3	9.56	3.9	880	5.6	1260	10.3	2310	12	2700			
2400	318	82.9	730	3.6	7.55	3.7	840	5.3	1200	9.7	2180	12	2700					

Worm gear units



P_1		n_1	n_2	M_2		f_B	i_{tot}	F_R / F_A				F_{RVL} / F_{AVL}				Model type		
[kW]	[hp]			[rpm]	[Nm]			[lb-in]	F_R	F_A	F_{RVL}	F_{AVL}	[kN]	[lb]	[kN]		[lb]	[kN]
3.00	4.00	2400	84	289	2542	0.8	28.61	2.5	570	4.2	940	5.7	2220	10	2250	SK 12063 - 90 F3/8	33.8	74.5
		2400	95	256	2252	1.0	25.15	2.6	580	4.3	970	6.0	2230	10	2250			
		2400	108	228	2004	1.1	22.32	2.6	580	4.4	1000	6.2	2240	10	2250			
		2400	126	195	1720	1.1	18.99	2.6	590	4.4	1000	6.4	2170	10	2250			
		2400	154	166	1457	1.1	15.57	1.9	440	2.3	520	6.5	1890	10	2250			
		2400	188	136	1199	1.3	12.76	2.2	490	2.5	580	6.6	1860	10	2250			
		2400	214	120	1060	1.5	11.22	2.2	500	2.7	600	6.7	1840	10	2250			
		2400	241	107	941	1.6	9.96	2.2	500	2.7	620	6.7	1790	10	2250			
		2400	283	91.5	806	1.8	8.47	2.2	490	2.8	630	6.7	1730	10	2250			
		2400	324	80.2	705	1.9	7.43	2.2	490	2.8	640	6.8	1680	10	2250			
		2400	206	123	1081	0.9	11.63	0.9	210	1.1	250	4.6	1360	8	1800	SK 02050 - 90 F3/8	29.8	65.7
		2400	255	99.8	878	1.1	9.41	1.3	290	1.5	340	4.8	1360	8	1800			
		2400	293	87.2	767	1.3	8.17	1.4	330	1.7	380	4.8	1360	8	1800			
		2400	335	76.5	673	1.4	7.13	1.6	360	1.8	420	4.9	1360	8	1800			
		2400	335	76.5	673	1.4	7.13	1.6	360	1.8	420	4.9	1360	8	1800			
3.70	5.00	2400	36	775	6916	0.8	66.44	5.0	1110	9.3	2090	9.2	2920	12	2700	SK 12080 - 90 F4/8	45.6	100.5
		2400	41	686	6121	0.9	58.27	5.1	1140	9.5	2120	10.0	2920	12	2700			
		2400	46	619	5520	0.9	52.03	5.1	1150	9.5	2130	10.5	2920	12	2700			
		2400	54	538	4795	1.0	44.72	5.1	1150	9.5	2140	11.0	2920	12	2700			
		2400	63	478	4266	1.1	37.91	4.6	1040	7.6	1690	11.3	2920	12	2700			
		2400	75	406	3626	1.3	31.92	4.7	1040	7.8	1730	11.7	2920	12	2700			
		2400	86	358	3196	1.4	27.99	4.7	1040	7.8	1750	11.8	2920	12	2700			
		2400	96	322	2872	1.5	25.00	4.6	1040	7.8	1750	12.0	2920	12	2700			
		2400	111	279	2484	1.7	21.49	4.6	1020	7.8	1740	12.1	2850	12	2700			
		2400	126	248	2211	1.8	19.11	4.5	1010	7.6	1690	12.2	2780	12	2700			
		2400	150	213	1896	1.9	15.98	3.9	870	5.1	1130	11.3	2530	12	2700			
		2400	172	187	1668	2.0	14.01	3.9	870	5.1	1140	11.0	2460	12	2700			
		2400	192	168	1496	2.1	12.51	3.8	860	5.1	1150	10.7	2410	12	2700			
		2400	223	145	1291	2.3	10.75	3.8	850	5.1	1140	10.4	2330	12	2700			
		2400	252	129	1147	2.6	9.56	3.7	830	5.1	1130	10.1	2260	12	2700			
		2400	318	102	912	2.9	7.55	3.6	800	4.9	1100	9.5	2140	12	2700			

SK 02040.1



Type	Ød ^{h6}	l	t	u	v	w	Type	ØD	ØH ^{H7}	mH	LH	tH	uH	Type	a	a1	a2	a3	b	b1	b2
SK 02040.1 VXZ	20	40	22.5	6	4	32	SK 02040.1 AXZ	35	20	120	28	22.8	6	SK 02040.1 VXZ/AXZ	87	63	80.5	80	90	57	100

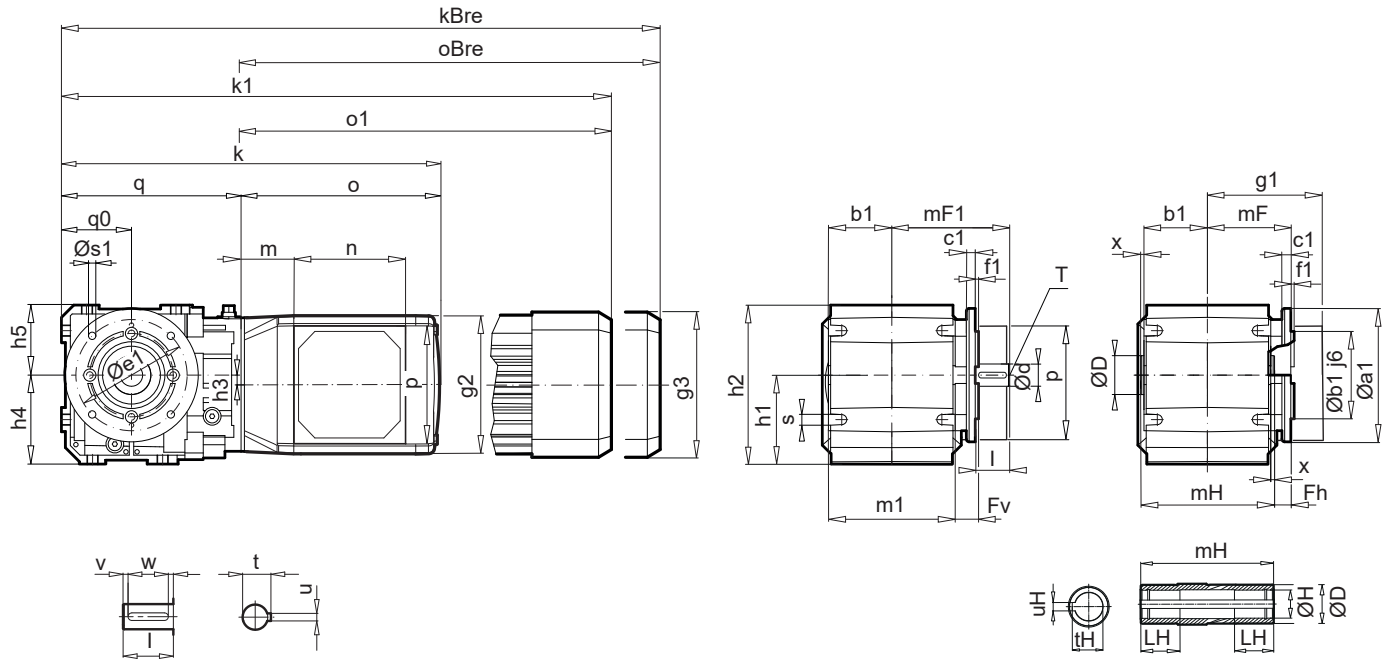
Type	c3	h1	h2	h3	h4	h5	i	m1	n	n1	n2	n3	n4	p	q0	Øs	Øs2	s	T	x
SK 02040.1 VXZ/AXZ	8	80	143	8.5	80	63	55	114	105	40	22.5	28	40	105	63	4	M6	9	M6	3

Type	q	71 N1, N2, N3 /8							90 N1, N2, N3 /8						
		m	k	o	kBRE	oBRE	g1	g2	m	k	o	kBRE	oBRE	g1	g2
SK 02040.1 VXZ	160.5	54.6	350	189	395	234	122	125	51.5	399	237	453	291	137	155
SK 02040.1 AXZ	161.5	54.6	350	199	444	282	122	125	51.5	399	237	453	291	137	155

Type	q	71 F1, F2, F3, F4 ¹⁾ /8							90 F1, F2, F3 ¹⁾ , F4 ¹⁾ /8						
		m	k1	o1	kBRE	oBRE	g1	g3	m	k1	o1	kBRE	oBRE	g1	g3
SK 02040.1 VXZ	160.5	54.5	407	245	444	282	122	132	51.5	435	273	488	326	137	162
SK 02040.1 AXZ	161.5	54.5	407	245	444	282	122	132	51.5	435	273	488	326	137	162

1) 71 F4/8 + 27 mm, 90 F3/8, F4/8 + 40 mm

All specifications in mm, unless marked otherwise.



Type	Ød ^{k6}	l	t	u	v	w	Type	ØD	ØH ^{m7}	mH	LH	tH	uH	Type	Øa1	Øb1	c1	Øe1	f1	Øs1
SK 02040.1 VXF	20	40	22.5	6	4	32	SK 02040.1 AXF	35	20	120	28	22.8	6	SK 02040.1 VXF/AXF	120	80	8	100	3	4 x 6.6
															160	110	10	130	3.5	4 x 9.0

Type	b1	Fv	Fh	h1	h2	h3	h4	h5	l	m1	mF1	mF	n	p	qo	s	T	x
SK 02040.1 VXF/AXF	57	18	18	80	143	8.5	80	63	40	114	115	75	105	105	63	9	M6	3

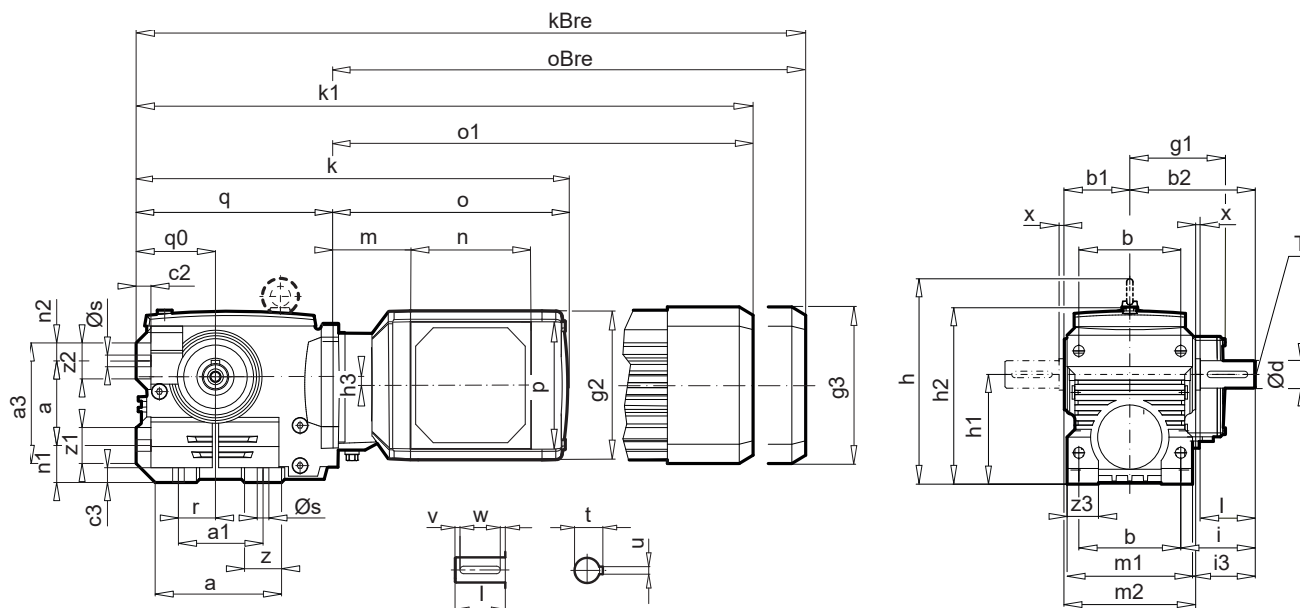
Type	q	71 N1, N2, N3 /8						90 N1, N2, N3 /8							
		m	k	o	kBRE	oBRE	g1	g2	m	k	o	kBRE	oBRE	g1	g2
SK 02040.1 VXF	161.5	54.6	350	189	395	234	122	125	51.5	399	237	453	291	137	155
SK 02040.1 AXF	161.5	54.6	350	189	395	234	122	125	51.5	399	237	453	291	137	155

Type	q	71 F1, F2, F3, F4 ¹⁾ /8						90 F1, F2, F3 ¹⁾ , F4 ¹⁾ /8							
		m	k1	o1	kBRE	oBRE	g1	g3	m	k1	o1	kBRE	oBRE	g1	g3
SK 02040.1 VXF	161.5	54.5	407	245	444	282	122	132	51.5	435	273	488	326	137	162
SK 02040.1 AXF	161.5	54.5	407	245	444	282	122	132	51.5	435	273	488	326	137	162

All specifications in mm, unless marked otherwise.

1) 71 F4/8 + 27 mm . 90 F3/8, F4/8 + 40 mm

SK 02050
SK 12063
SK 12080



Type	$\emptyset d^{h6}$	l	t	u	v	w
SK 02050	25	50	28	8	5	40
SK 12063	30	60	33	8	5	50
SK 12080	35	70	38	10	5	60

Type	a	a1	a3	b	b1	b2
SK 02050	120	80	114	100	61	115
SK 12063	140	100	140	110	69	134
SK 12080	178	130	170	130	84	160

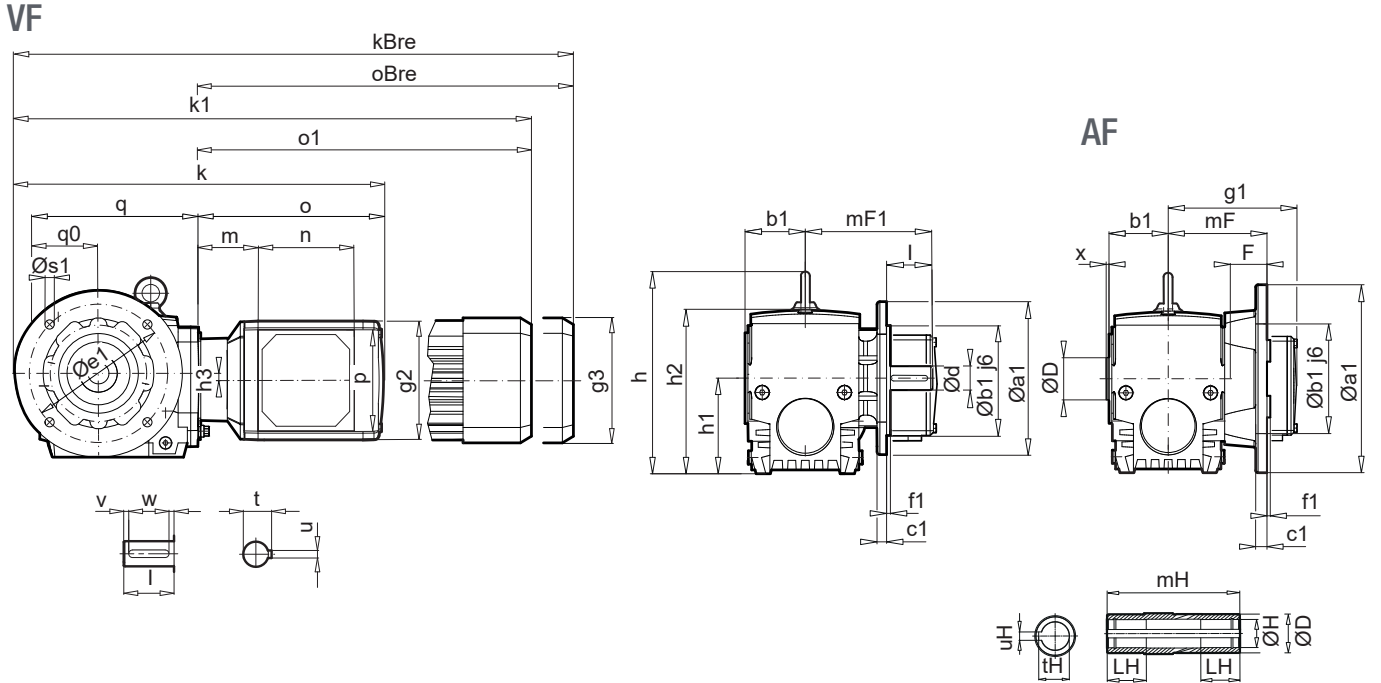
Type	c2	c3	h	h1	h2	h3	i	i3	m1	m2	n	n1	n2	p	q0	r	$\emptyset s$	T	x	z	z1	z2	z3
SK 02050	14	14	-	100	163	7.5	65	54	122	130	105	35	17	105	75	35	11	M10	4	35	34	34	35
SK 12063	16	16	-	112	189	13	79	65	138	138	105	35	20	105	80	45	11	M10	5	40	40	40	36
SK 12080	20	20	262	140	221	19	95	80	160	168	105	40	20	105	100	60	14	M12	6	40	40	40	40

Type	q	71 N1, N2, N3 /8							90 N1, N2, N3 /8						
		m	k	o	kBRE	oBRE	g1	g2	m	k	o	kBRE	oBRE	g1	g2
SK 02050	185	60.6	380	195	425	240	122	125	78.5	449	264	504	318	137	155
SK 12063	200	60.6	395	195	440	240	122	125	78.5	464	264	519	318	137	155
SK 12080	241	60.6	436	195	481	240	122	125	78.5	505	264	560	318	137	155

Type	q	71 F1, F2, F3, F4 ¹⁾ /8							90 F1, F2, F3 ¹⁾ , F4 ¹⁾ /8						
		m	k1	o1	kBRE	oBRE	g1	g3	m	k1	o1	kBRE	oBRE	g1	g3
SK 02050	185	60.5	436	251	473	288	122	132	78.5	485	300	538	353	137	162
SK 12063	200	60.5	451	251	488	288	122	132	78.5	500	300	553	353	137	162
SK 12080	241	60.5	492	251	529	288	122	132	78.5	541	300	594	353	137	162

1) 71 F4/8 + 27 mm, 90 F3/8, F4/8 + 40 mm

All specifications in mm, unless marked otherwise.



Type	Ød ^{k6}	l	t	u	v	w	Type	ØD	ØH ^{H7}	mH	LH	tH	uH	Type	Øa1	Øb1	c1	Øe1	f1	Øs1
SK 02050 VF	25	50	28	8	5	40	SK 02050 AF	45	25(30)	132	45	28.3(33.3)	8(8)	SK 02050 VF	160	110	10	130	4	4 x 9
SK 12063 VF	30	60	33	8	5	50	SK 12063 AF	50	30(35)	148	50	33.3(38.3)	8(10)	SK 02050 AF	200	130	12	165	3.5	4 x 11
SK 12080 VF	35	70	38	10	5	60	SK 12080 AF	65	40(45)	168	55	43.3(48.8)	12(14)	SK 12063 VF	200	130	12	165	4	4 x 11
Type	b1	F	h	h1	h2	h3	mF1	mF	n	p	q0	T	x	Type	Øa1	Øb1	c1	Øe1	f1	Øs1
SK 02050 VF/AF	63	39	-	100	175	7.5	135	105	105	105	70	M10	3	SK 12063 AF	200	130	12	165	3.5	4 x 11
SK 12063 VF/AF	70	38	-	121	202	13	156	112	105	105	75	M10	4	SK 12080 VF	200	130	12	165	4	4 x 11
SK 12080 VF/AF	79	44	287	146	257	19	184	128	105	105	101	M12	5	SK 12080 AF	250	180	15	215	4	4 x 13.5
														SK 12080 AF	300	230	20	265	4	4 x 13.5

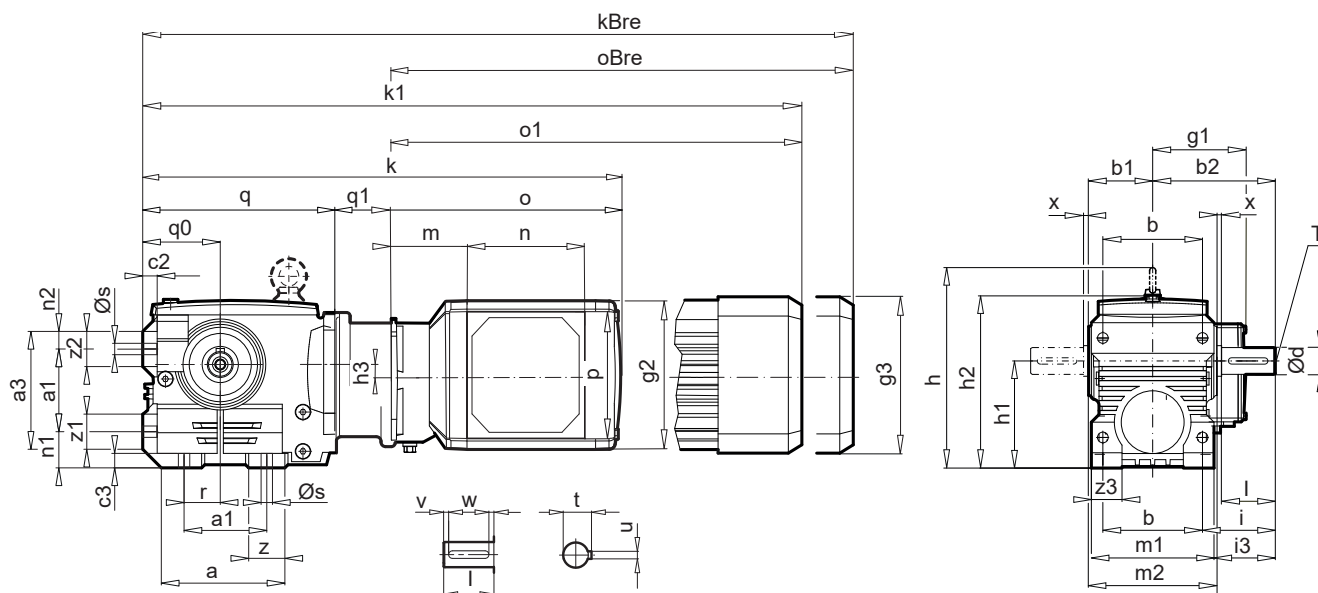
Type	71 N1, N2, N3 /8								90 N1, N2, N3 /8							
	q	m	k	o	kBRE	oBRE	g1	g2	m	k	o	kBRE	oBRE	g1	g2	
SK 02050 VF	180	60.6	385	195	430	240	122	125	78.5	454	264	509	318	137	155	
SK 12063 VF	196	60.6	416	195	461	240	122	125	78.5	485	264	540	318	137	155	
SK 12080 VF	242	60.6	437	195	482	240	122	125	78.5	506	264	561	318	137	155	
SK 02050 AF	180	60.6	405	195	450	240	122	125	78.5	474	264	529	318	137	155	
SK 12063 AF	196	60.6	416	195	461	240	122	125	78.5	485	264	540	318	137	155	
SK 12080 AF	242	60.6	461	195	506	240	122	125	78.5	530	264	585	318	137	155	

Type	71 F1, F2, F3, F4 ¹⁾ /8								90 F1, F2, F3 ¹⁾ , F4 ¹⁾ /8							
	q	m	k1	o1	kBRE	oBRE	g1	g3	m	k1	o1	kBRE	oBRE	g1	g3	
SK 02050 VF	180	60.5	441	251	478	288	122	132	78.5	490	300	543	353	137	162	
SK 12063 VF	196	60.5	472	251	509	288	122	132	78.5	521	300	574	353	137	162	
SK 12080 VF	242	60.5	493	251	530	288	122	132	78.5	542	300	595	353	137	162	
SK 02050 AF	180	60.5	461	251	498	288	122	132	78.5	510	300	563	353	137	162	
SK 12063 AF	196	60.5	472	251	509	288	122	132	78.5	521	300	574	353	137	162	
SK 12080 AF	242	60.5	517	251	554	288	122	132	78.5	566	300	619	353	137	162	

All specifications in mm, unless marked otherwise.

1) 71 F4/8 + 27 mm, 90 F3/8, F4/8 + 40 mm

SK 13050
SK 13063
SK 13080



Type	Ød ^{k6}	l	t	u	v	w
SK 13050	25	50	28	8	5	40
SK 13063	30	60	33	8	5	50
SK 13080	35	70	38	10	5	60

Type	a	a1	a3	b	b1	b2
SK 13050	120	80	114	100	61	115
SK 13063	140	100	140	110	69	134
SK 13080	179	130	170	130	84	160

Type	c2	c3	h	h1	h2	h3	i	i3	m1	m2	n	n1	n2	q0	p	r	Øs	T	x	z	z1	z2	z3
SK 13050	14	14	-	100	163	37.5	65	54	122	130	105	35	17	75	105	35	11	M10	4	35	34	34	35
SK 13063	16	16	-	112	183	43	79	65	138	138	105	35	20	80	105	45	11	M10	5	40	40	40	36
SK 13080	20	20	251	140	221	49	95	80	160	168	105	40	20	100	105	60	14	M12	6	40	40	40	40

Type	71 N1, N2, N3 /8										90 N1, N2, N3 /8					
	q	q1	m	k	o	kBRE	oBRE	g1	g2	m	k	o	kBRE	oBRE	g1	g2
SK 13050	185	58	60.6	438	195	483	240	122	125							
SK 13063	200	58	60.6	453	195	498	240	122	125							
SK 13080	241	58	60.6	494	195	539	240	122	125							

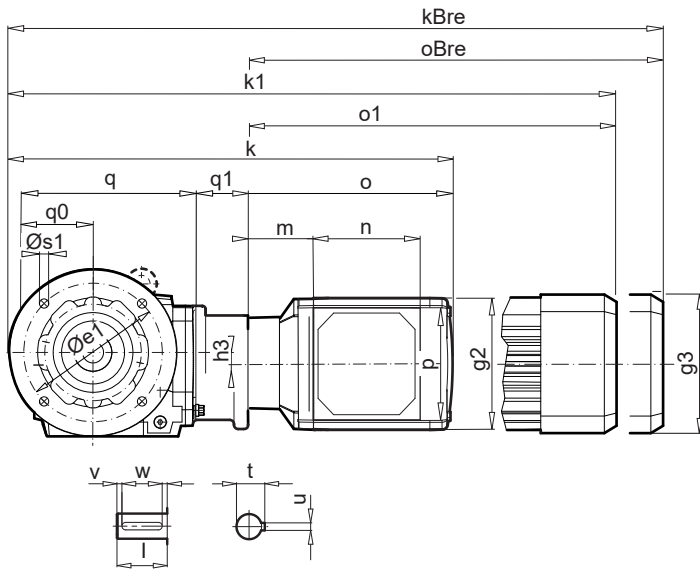
Type	71 F1, F2, F3, F4 ¹⁾ /8									90 F1, F2, F3 ¹⁾ , F4 ¹⁾ /8						
	q	q1	m	k1	o1	kBRE	oBRE	g1	g3	m	k1	o1	kBRE	oBRE	g1	g3
SK 13050	185	58	60.5	494	251	531	288	122	132							
SK 13063	200	58	60.5	509	251	546	288	122	132							
SK 13080	241	58	60.5	550	251	587	288	122	132							

1) 71 F4/8 + 27 mm, 90 F3/8, F4/8 + 40 mm

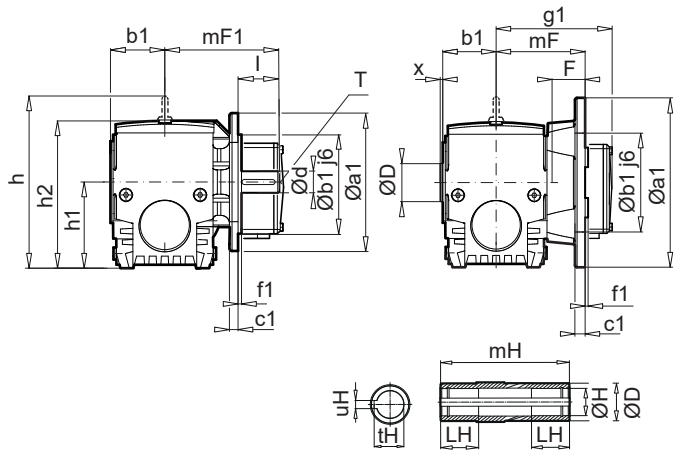
All specifications in mm, unless marked otherwise.



VF



AF



Type	Ød ^{k6}	l	t	u	v	w	Type	ØD	ØH ^{H7}	mH	LH	tH	uH
SK 13050 VF	25	50	28	8	5	40	SK 13050 AF	45	25(30)	132	45	28.3(33.3)	8(8)
SK 13063 VF	30	60	33	8	5	50	SK 13063 AF	50	30(35)	148	50	33.3(38.3)	8(10)
SK 13080 VF	35	70	38	10	5	60	SK 13080 AF *	65	40(45)	168	55	43.3(48.8)	12(14)

Type	b1	F	h	h1	h2	h3	mF1	mF	n	p	q0	T	x
SK 13050 VF/AF	63	39	-	100	175	37.5	135	105	105	105	70	M10	3
SK 13063 VF/AF	70	38	-	121	202	43	156	112	105	105	75	M10	4
SK 13080 VF/AF	79	44	287	146	257	49	184	128	105	105	101	M12	5

Type	Øa1	Øb1	c1	Øe1	f1	Øs1
SK 13050 VF	160	110	10	130	4	4 x 9
SK 13050 AF	200	130	12	165	3.5	4 x 11
SK 13063 VF	200	130	12	165	4	4 x 11
SK 13063 AF	200	130	12	165	3.5	4 x 11
SK 13080 VF	200	130	12	165	4	4 x 11
SK 13080 AF	250	180	15	215	4	4 x 13.5
SK 13080 AF	300	230	20	265	4	4 x 13.5

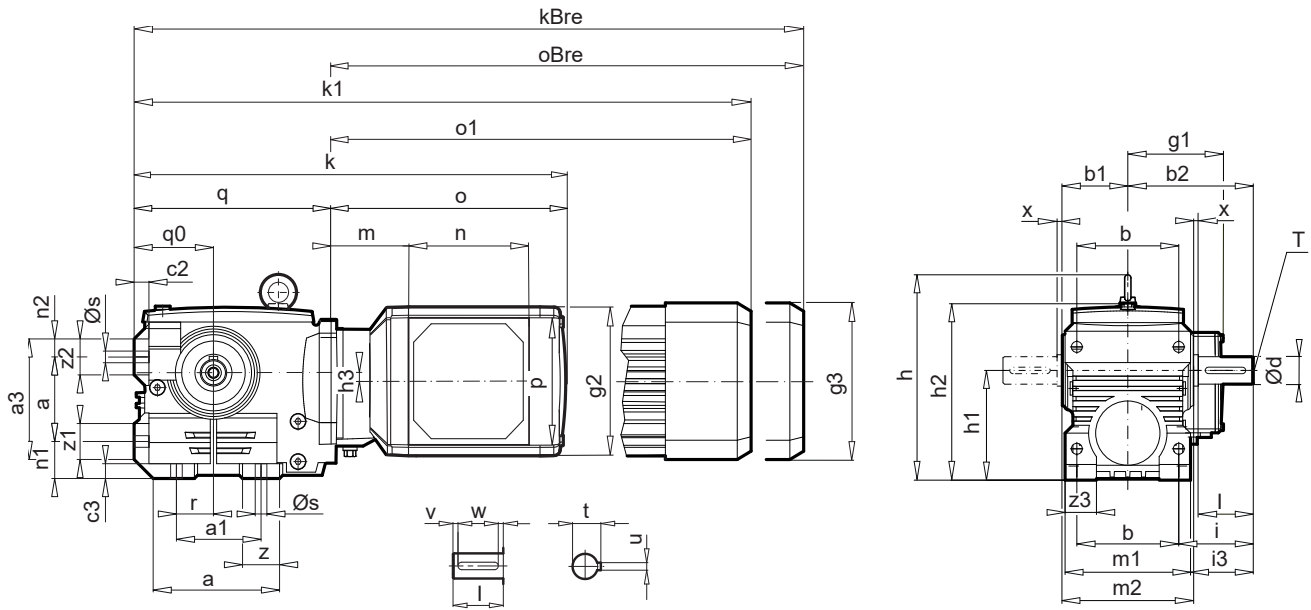
Type	71 N1, N2, N3 /8										90 N1, N2, N3 /8					
	q	q1	m	k	o	kBRE	oBRE	g1	g2	m	k	o	kBRE	oBRE	g1	g2
SK 13050 VF	180	58	60.6	443	195	488	240	122	125							
SK 13063 VF	196	58	60.6	474	195	519	240	122	125							
SK 13080 VF	242	58	60.6	495	195	540	240	122	125							
SK 13050 AF	180	58	60.6	463	195	508	240	122	125							
SK 13063 AF	196	58	60.6	474	195	519	240	122	125							
SK 13080 AF	242	58	60.6	519	195	564	240	122	125							

Type	71 F1, F2, F3, F4 ¹⁾ /8										90 F1, F2, F3 ¹⁾ , F4 ¹⁾ /8					
	q	q1	m	k1	o1	kBRE	oBRE	g1	g3	m	k1	o1	kBRE	oBRE	g1	g3
SK 13050 VF	180	58	60.5	499	251	536	288	122	132							
SK 13063 VF	196	58	60.5	530	251	567	288	122	132							
SK 13080 VF	242	58	60.5	551	251	588	288	122	132							
SK 13050 AF	180	58	60.5	519	251	556	288	122	132							
SK 13063 AF	196	58	60.5	530	251	567	288	122	132							
SK 13080 AF	241	58	60.5	575	251	612	288	122	132							

All specifications in mm, unless marked otherwise.

1) 71 F4/8 + 27 mm , 90 F3/8, F4/8 + 40 mm

SK 32100



Type	$\varnothing d^{k6}$	l	t	u	v	w
SK 32100	45	90	48.5	14	5	80

Type	a	a_1	a_3	b	b_1	b_2
SK 32100	186	135	183	150	100	195

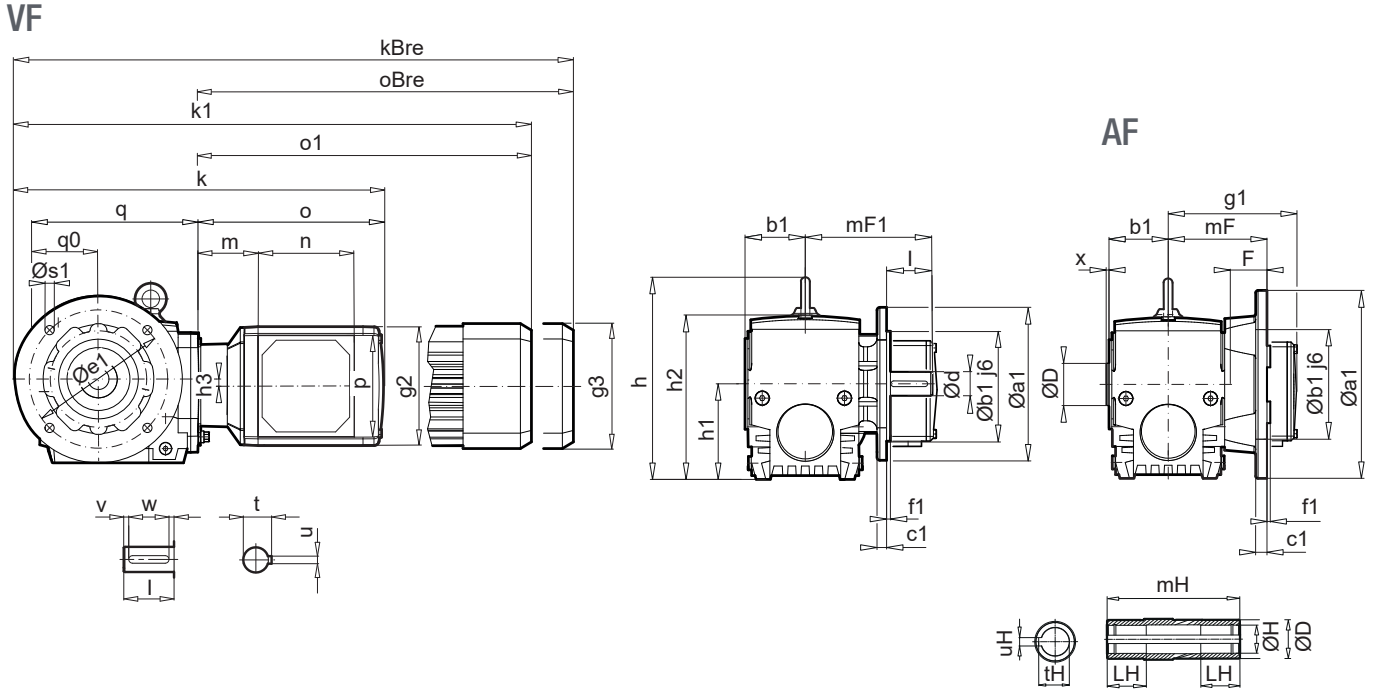
Type	c_2	c_3	h	h_1	h_2	h_3	i	i_3	m_1	m_2	n	n_1	n_2	q_0	p	r	$\varnothing s$	T	x	z	z_1	z_2	z_3
SK 32100	25	28	334	180	289	24	120	100	190	200	105	70	24	125	105	75	18	M16	5	50	48	48	50

Type	q	71 N1, N2, N3 /8						90 N1, N2, N3 /8							
		m	k	o	$kBRE$	$oBRE$	g_1	g_2	m	k	o	$kBRE$	$oBRE$	g_1	g_2
SK 32100	288	55	477	189	522	234	122	125							

Type	q	71 F1, F2, F3, F4 ¹⁾ /8						90 F1, F2, F3 ¹⁾ , F4 ¹⁾ /8							
		m	k_1	o_1	$kBRE$	$oBRE$	g_1	g_3	m	k_1	o_1	$kBRE$	$oBRE$	g_1	g_3
SK 32100	288	54.9	534	246	570	282	122	132							

1) 71 F4/8 + 27 mm, 90 F3/8, F4/8 + 40 mm

All specifications in mm, unless marked otherwise.



Type	Ød ^{h6}	l	t	u	v	w	Type	ØD	ØH ^{h7}	mH	LH	tH	uH
SK 32100 VF	45	90	48.5	14	5	80	SK 32100 AF	85	50(60)	202	70	53.8(64.4)	14(18)
Type	b1	F	h	h1	h2	h3	mF1	mF	n	p	qo	T	x
SK 32100 VF/AF	96	48	357	182	315	24	232	149	105	105	122	M16	5

Type	Øa1	Øb1	c1	Øe1	f1	Øs1
SK 32100 VF	250	180	16	215	4	4 x 14
SK 32100 AF	350	250	20	300	4	4 x 18

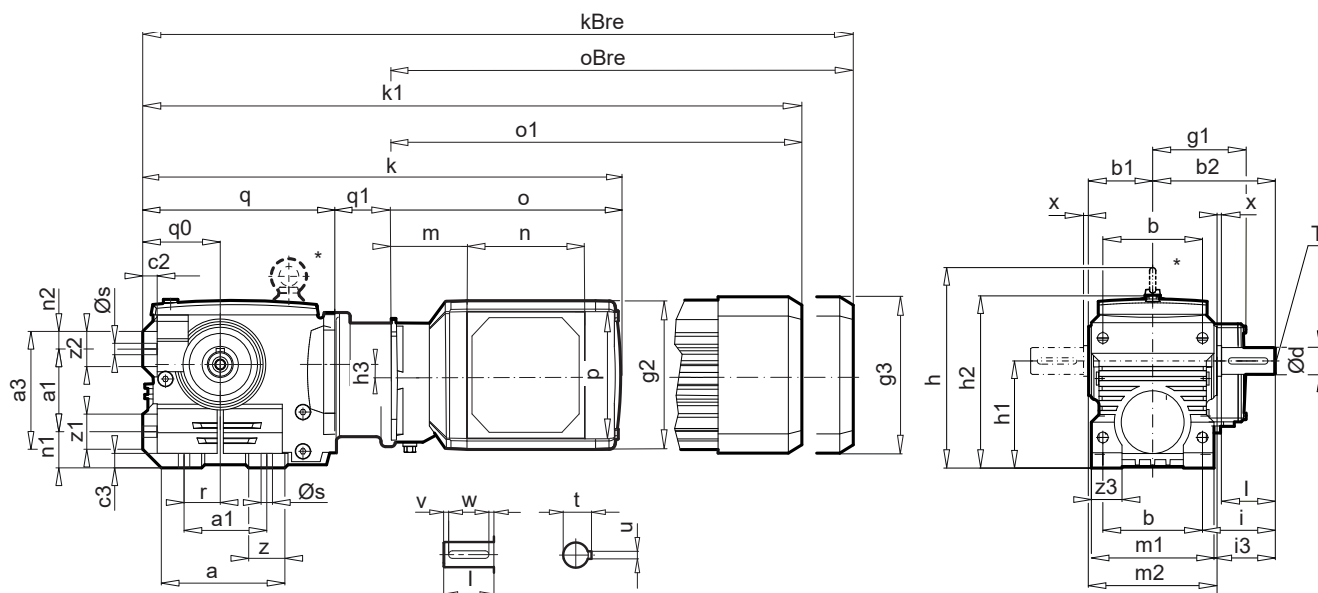
		71 N1, N2, N3 /8						90 N1, N2, N3 /8							
Type	q	m	k	o	kBRE	oBRE	g1	g2	m	k	o	kBRE	oBRE	g1	g2
SK 32100 VF	285	55	477	189	522	234	122	125							
SK 32100 AF	285	55	527	189	572	234	122	125							

		71 F1, F2, F3, F4 ¹⁾ /8						90 F1, F2, F3 ¹⁾ , F4 ¹⁾ /8							
Type	q	m	k1	o1	kBRE	oBRE	g1	g3	m	k1	o1	kBRE	oBRE	g1	g3
SK 32100 VF	285	54.9	534	246	570	282	122	132							
SK 32100 AF	285	54.9	584	246	620	282	122	132							

All specifications in mm, unless marked otherwise.

1) 71 F4/8 + 27 mm , 90 F3/8, F4/8 + 40 mm

SK 33100 SK 43125



Type	$\varnothing d$	l	t	u	v	w
SK 33100	45 ^{k6}	90	48.5	14	5	80
SK 43125	60 ^{m6}	120	64	18	10	100

Type	a	a_1	a_3	b	b_1	b_2
SK 33100	186	135	183	150	100	195
SK 43125	243	180	240	200	127	255

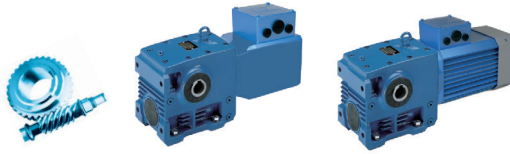
Type	c_2	c_3	h	h_1	h_2	h_3	i	i_3	m_1	m_2	n	n_1	n_2	p	q_0	r	$\varnothing s$	T	x	z	z_1	z_2	z_3
SK 33100	25	28	334	180	294	74	120	100	190	200	105	70	24	105	125	75	18	M16	5	50	48	48	50
SK 43125	30	34	430	225	357	100	155	130	250	254	105	82	30	105	150	92	22	M20	8	70	60	60	60

Type	71 N1, N2, N3 /8										90 N1, N2, N3 /8					
	q	q_1	m	k	o	$kBRE$	$oBRE$	g_1	g_2	m	k	o	$kBRE$	$oBRE$	g_1	g_2
SK 33100	288	60	60.6	543	195	588	240	122	125	78.5	612	264	667	318	137	155
SK 43125	352	69	55	610	189	655	234	122	125							

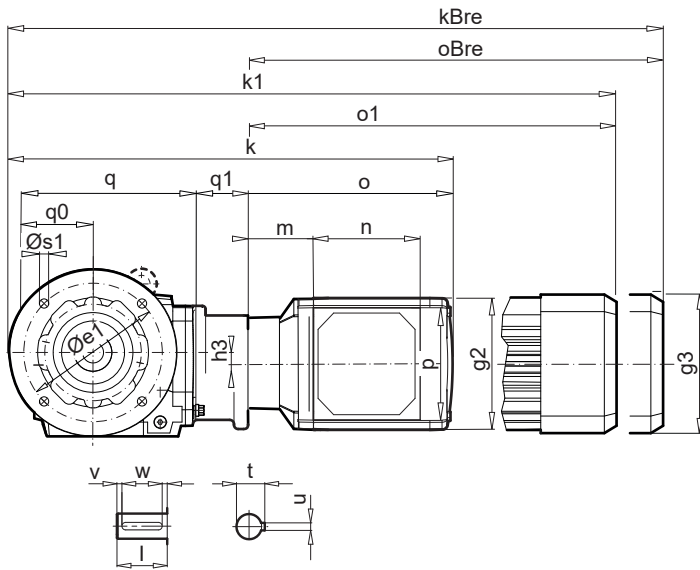
Type	71 F1, F2, F3, F4 ¹⁾ /8										90 F1, F2, F3 ¹⁾ , F4 ¹⁾ /8					
	q	q_1	m	k_1	o_1	$kBRE$	$oBRE$	g_1	g_3	m	k_1	o_1	$kBRE$	$oBRE$	g_1	g_3
SK 33100	288	60	60.5	599	251	636	288	122	132	78.5	648	300	701	353	137	162
SK 43125	352	69	54.9	667	246	703	282	122	132							

1) 71 F4/8 + 27 mm, 90 F3/8, F4/8 + 40 mm

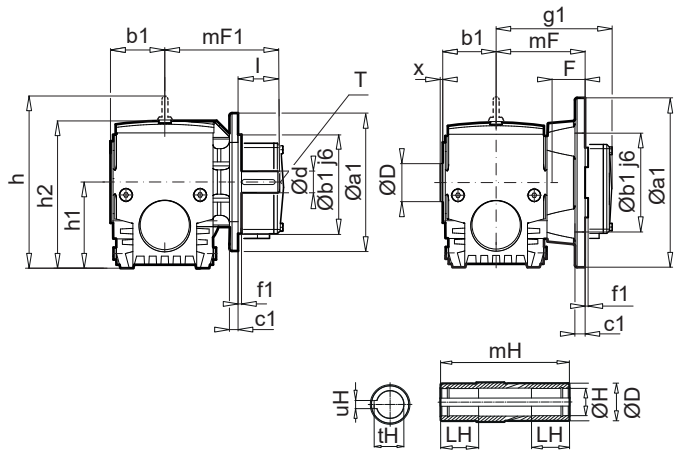
All specifications in mm, unless marked otherwise.



VF



AF



Type	Ød	l	t	u	v	w
SK 33100 VF	45 ^{k6}	90	48.5	14	5	80
SK 43125 VF	60 ^{m6}	120	64	18	10	100

Type	ØD	ØH ^{H7}	mH	LH	tH	uH
SK 33100 AF	85	50(60)	202	70	53.8(64.4)	14(18)
SK 43125 AF	95	60(70)	250	89	64.4(74.9)	18(20)

Type	Øa1	Øb1	c1	Øe1	f1	Øs1
SK 32100 VF	250	180	16	215	4	4 x 14
SK 32100 AF	350	250	20	300	4	4 x 18
SK 43125 VF	350	250	20	300	5	4 x 17.5
SK 43125 AF	400	300	20	350	5	4 x 17.5
SK 43125 AF	450	350	22	400	5	4 x 17.5

Type	b1	F	h	h1	h2	h3	mF1	mF	n	p	q0	T	x
SK 33100 VF/AF	96	48	357	182	315	74	232	149	105	105	122	M16	5
SK 43125 VF/AF	119	50	461	222	388	100	307	175	105	105	150	M20	6

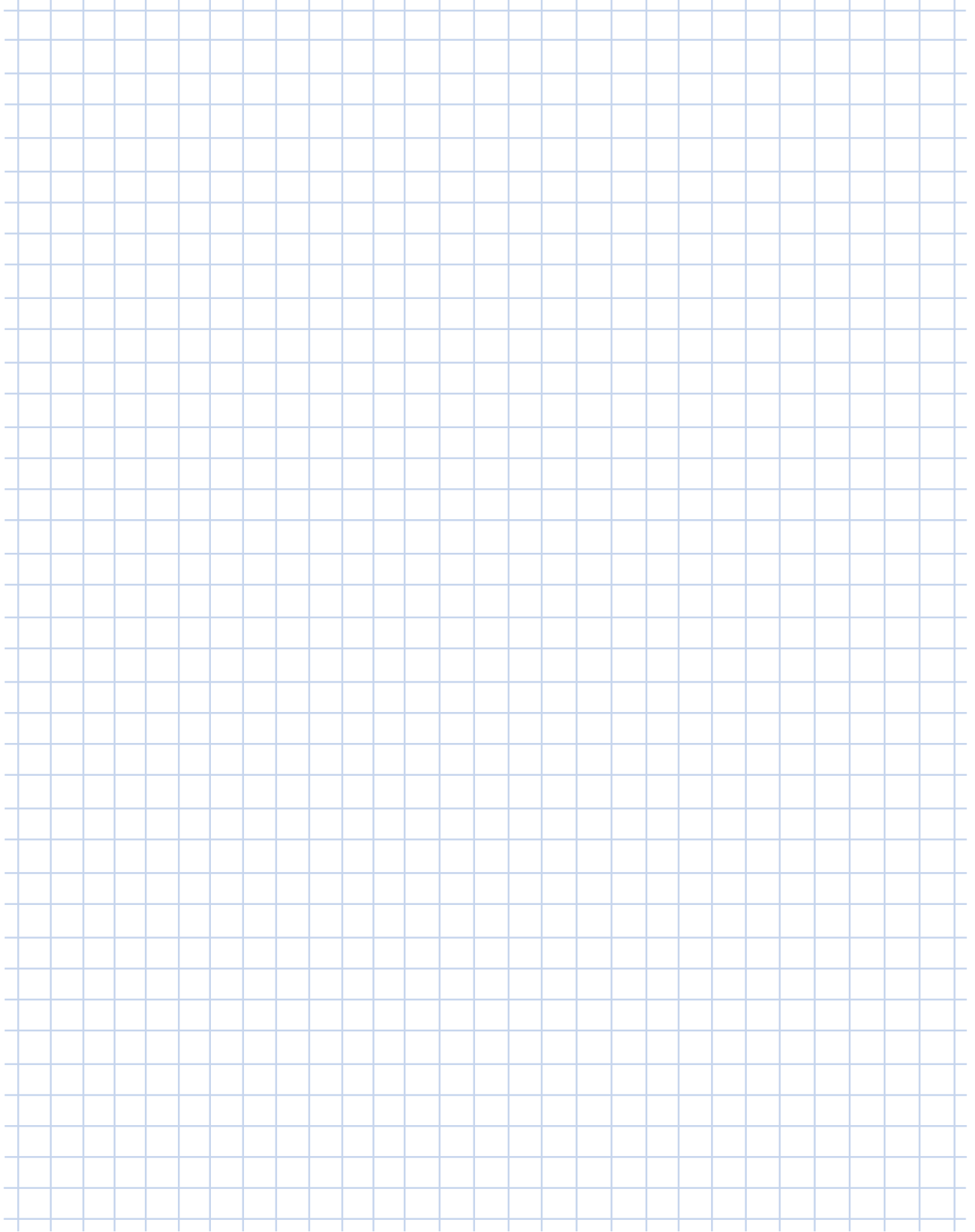
		71 N1, N2, N3 /8								90 N1, N2, N3 /8						
Type	q	q1	m	k	o	kBRE	oBRE	g1	g2	m	k	o	kBRE	oBRE	g1	g2
SK 33100 VF	285	60	60.6	543	195	588	240	122	125	78.5	612	264	667	318	137	155
SK 43125 VF	352	69	55	635	189	680	234	122	125							
SK 33100 AF	285	60	60.6	593	195	638	240	122	125	78.5	662	264	717	318	137	155
SK 43125 AF	352	69	55	660	189	705	234	122	125							

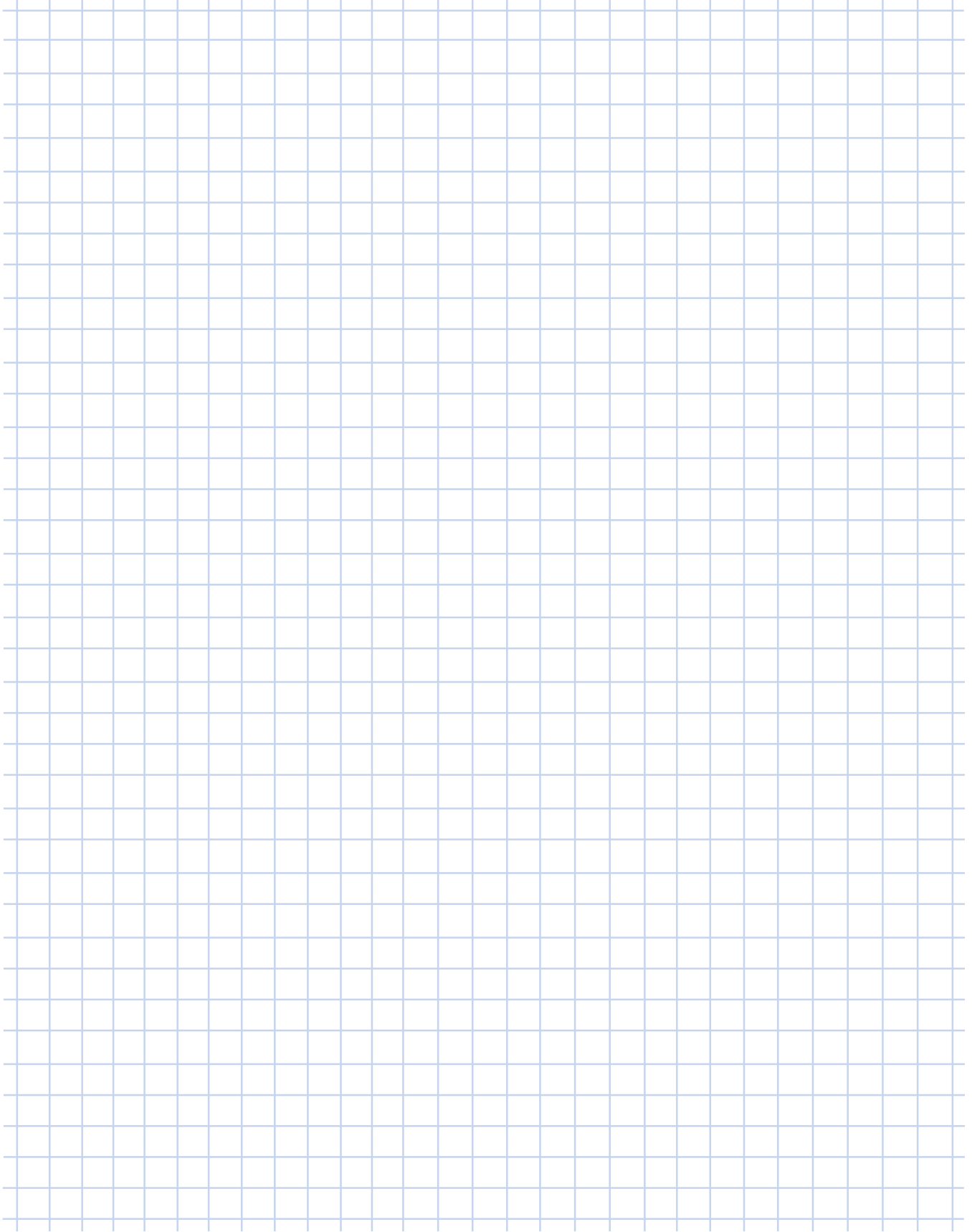
		71 F1, F2, F3, F4 ¹⁾ /8								90 F1, F2, F3 ¹⁾ , F4 ¹⁾ /8						
Type	q	q1	m	k1	o1	kBRE	oBRE	g1	g3	m	k1	o1	kBRE	oBRE	g1	g3
SK 33100 VF	285	60	60.5	599	251	636	288	122	132	78.5	648	300	701	353	137	162
SK 43125 VF	352	69	54.9	692	246	728	282	122	132							
SK 33100 AF	285	60	60.5	649	251	686	288	122	132	78.5	698	300	751	353	137	162
SK 43125 AF	352	69	54.9	717	246	753	282	122	132							

All specifications in mm, unless marked otherwise.

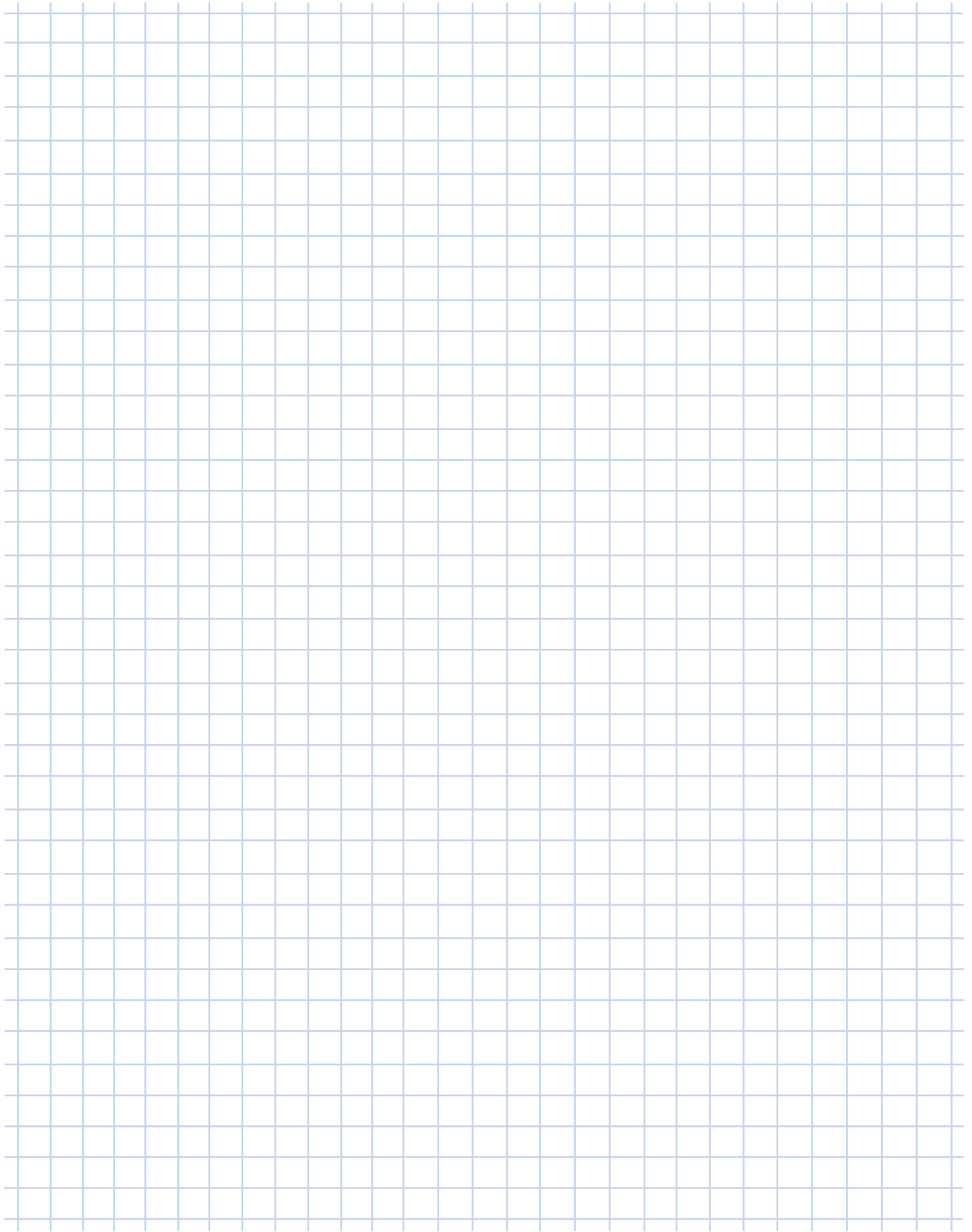
1) 71 F4/8 + 27 mm , 90 F3/8, F4/8 + 40 mm

Notes

A large grid area for taking notes, consisting of a 20x20 grid of small squares. The grid is light blue and occupies most of the page.

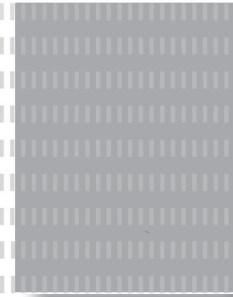
A large grid area for taking notes, consisting of a 20x20 grid of small squares. The grid is light blue and occupies most of the page.

Notes

A large grid area for taking notes, consisting of a grid of light blue lines on a white background.

Selections from the NORD® range

G1000 Fixed speeds
UNICASE housing 50 / 60 Hz



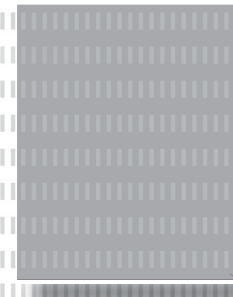
G4014 Electronic variable speed gear units

- ▶ NORDBLOC.1® helical in-line geared motor
- ▶ Helical in-line geared motors
- ▶ Parallel shaft geared motors
- ▶ Bevel geared motors
- ▶ Helical worm geared motors



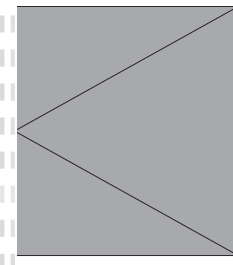
G1050 MAXXDRIVE® Industrial gear units
UNICASE housing 50 / 60 Hz

- ▶ Helical gear units
- ▶ Helical bevel gear unit



G1035 UNIVERSAL worm gear units

- ▶ SI and SMI



F3018_E3000 Frequency inverter SK 180E

F3020_E3000 Frequency inverter SK 200E

F3060_E3000 NORDAC PRO SK 500P frequency inverter



DE

Getriebebau NORD GmbH & Co. KG

Getriebebau-Nord-Str. 1

22941 Bargteheide, Germany

T: +49 45 32 / 289 0

F: +49 45 32 / 289 22 53

info@nord.com